

INSTALLATION INSTRUCTIONS FOR THE 185814 PLATEN WITH SCREW
ASSEMBLY TO PROVIDE PLATEN ENDPLAY IN MODEL 32/33 FRICTION
FEED TYPING UNITS

1. GENERAL

- 1.01 The 185814 platen with screw replaces various platen retainers in Model 32/33 friction feed typing units to provide endplay of the platen.
- 1.02 The 185814 platen with screw assembly consists of:
- 1 3606 Nut
 - 1 181034 Platen assembly
 - 1 185816 Screw
- 1.03 For parts ordering information see Teletype Parts Bulletin 1184B. (Bell System refer to the standardized information.)

2. INSTALLATION (Figures 1 and 2 and Bulletin 1184B)

- 2.01 For units having platen retainer on left 181052 platen end plate, remove and discard the 181240 screw and 181041 retainer.
- 2.02 Remove and retain the 181048 bracket, 181242 screw, and 7002 flat washer located on the right 181052 platen end plate.
- 2.03 Remove and discard the 181059 stud, 124177 lockwasher, and 6987 washer (if present).
- 2.04 Remove and retain the two 198670 screws that mount the 181052 right end plate to the 181055 bar.
- 2.05 Loosen the two 198670 screws that mount the right end plate to the 181037 bracket.
- 2.06 Lift the right end plate up and out far enough to remove the platen.
- 2.07 Install the new 181034 platen and mount the right end plate, reversing procedure outlined in Paragraphs 2.04, 2.05, and 2.06.
- 2.08 Thread the 3606 nut onto the 185816 screw and install the screw into the hole previously used by the 181059 stud.
- 2.09 Adjust the screw so that the platen endplay is 0.002 to 0.015 inch by positioning the platen so that it is against the left side frame and measure clearance between the screw and the right end of the platen. Tighten the 3606 nut.

SPECIFICATION 50436S

- 2.10 Replace the 181048 bracket, 181242 screw, and 7002 washer.
- 2.11 Readjust the line feed pressure roller adjustment. Check and make, if necessary, the platen, vertical, and line feed adjustments.

3. ADJUSTMENTS AND LUBRICATION

- 3.01 For standard adjustments and lubrication procedure refer to Teletype Bulletin 273B. (Bell System refer to the standardized information.)

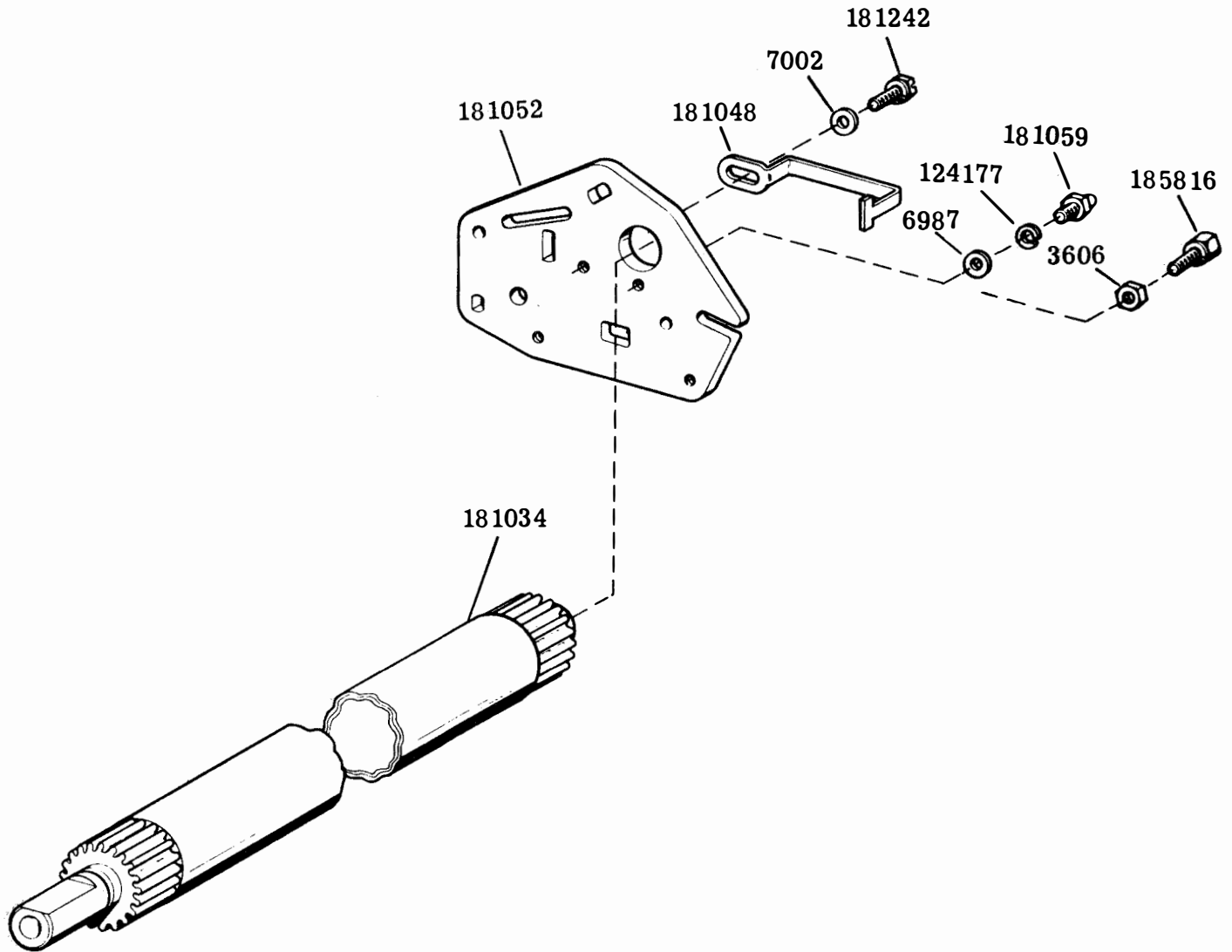


FIGURE 1

50436S

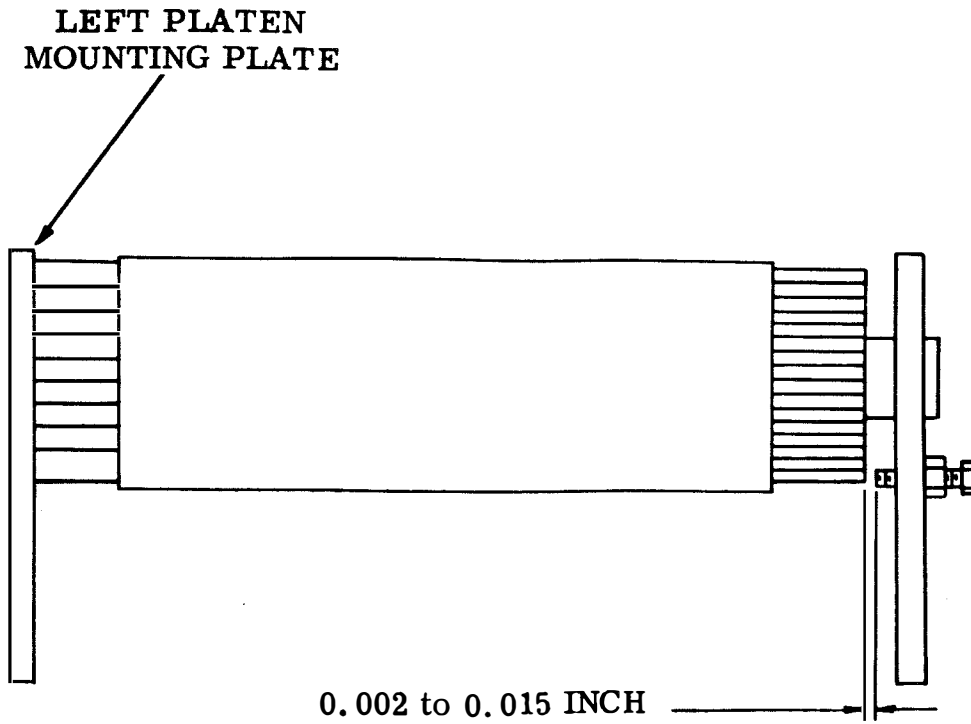


Figure 2