

DESCRIPTION AND INSTRUCTIONS FOR INSTALLING
THE 114189 TAPE UNWINDER ON THE TELETYPE
TRANSMITTER DISTRIBUTOR
(FIVE AND SIX UNIT)

The 114189 tape unwinder is a device for holding a roll of perforated message tape and permitting it to unwind freely for feeding into a transmitter distributor. It accommodates 180 feet of fully perforated tape (either five or six-unit) and 100 feet of chadless tape (five-unit). The device consists of a spindle, a post, a spindle holder, and a tape guide. See Figure 1 for component parts. It is designed for convenient mounting on top of the transmitter distributor cover and is held in place by means of the spindle holder which extends down the sides of the cover and engages the front louvers on each side.

With respect to the spindle holder, the tape guide is mounted at an angle so as to extend to a position from which the tape may be easily fed into the transmitter. The free end of the tape guide is designed and formed to cause a friction drag on the tape and permit it to unwind only as required by the transmitter. Figure 2 shows the angles to which the wire guide is formed at the factory and which should be maintained in service.

The roll of tape should be placed on the spindle, twisted, and threaded through the tape guide as shown in Figure 3. It may be seen that the tape feeds from the inside of the wound roll, is twisted so that the tape is bottom upward (with respect to the way it was perforated) through the tape guide, and is again twisted when inserted in the transmitter so as to have the top side upward.

The unit should be positioned as near the front end of the cover as possible to facilitate feeding the tape to the transmitter.

* * *

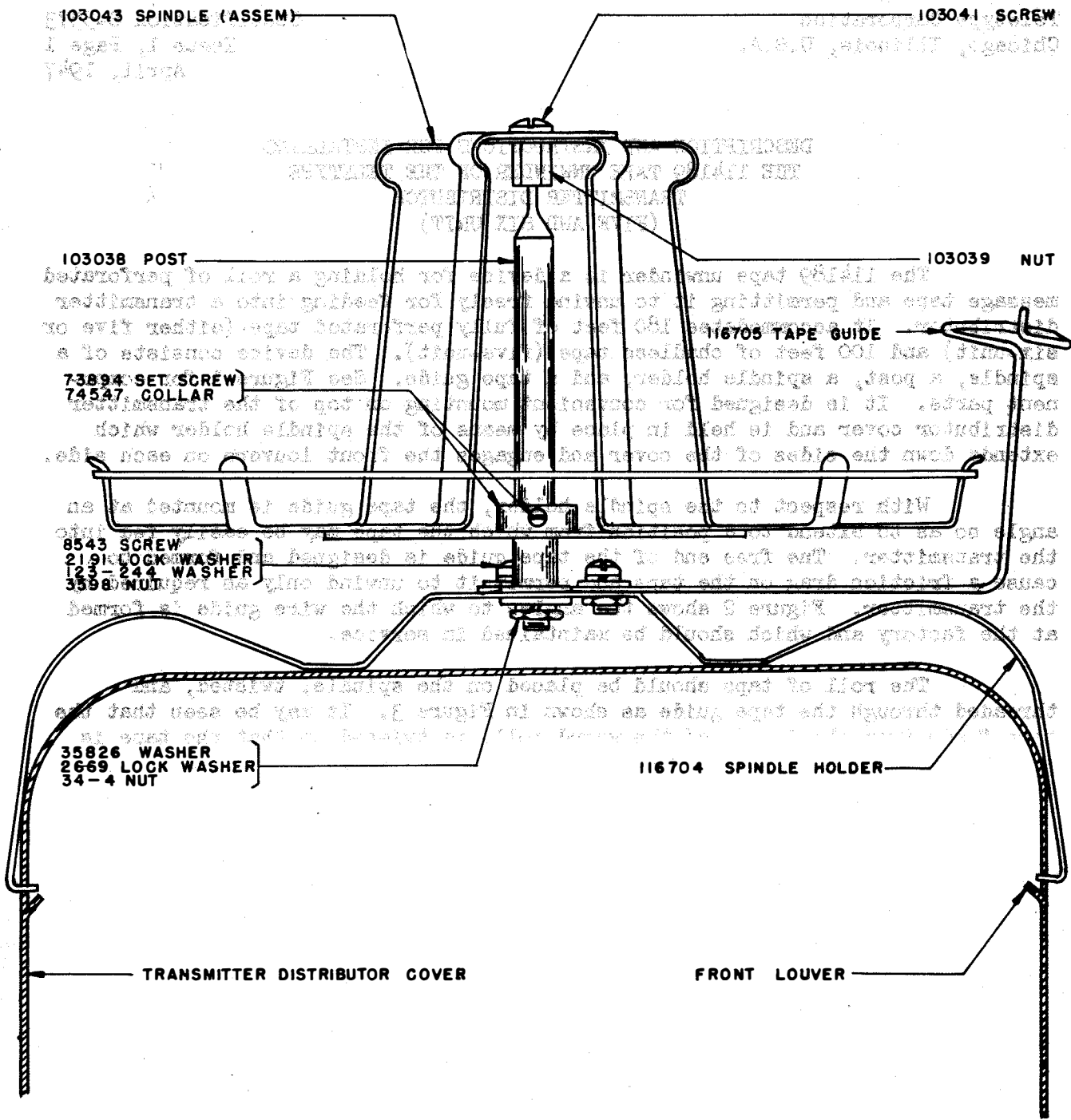


FIGURE 1

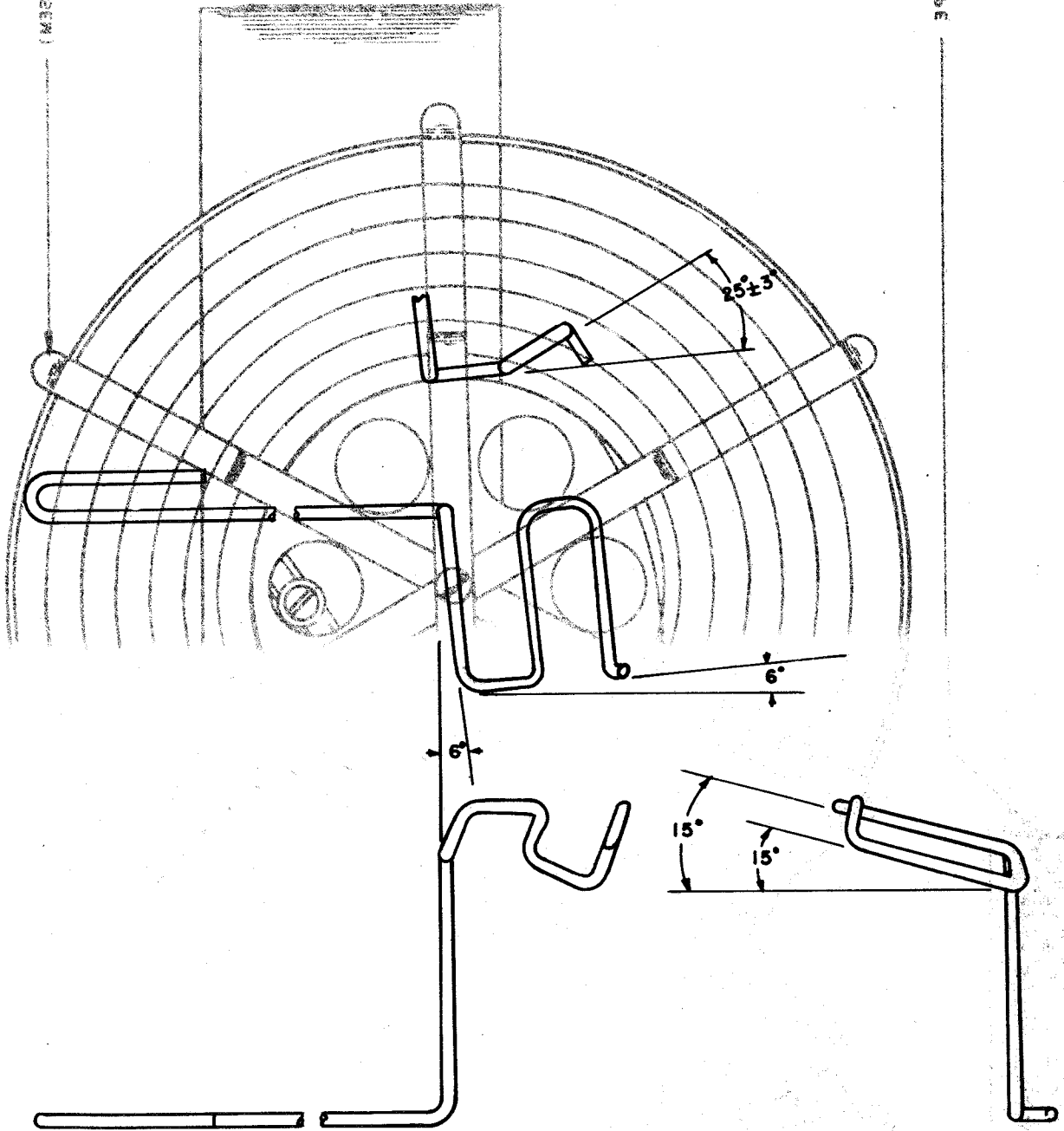


FIGURE 2

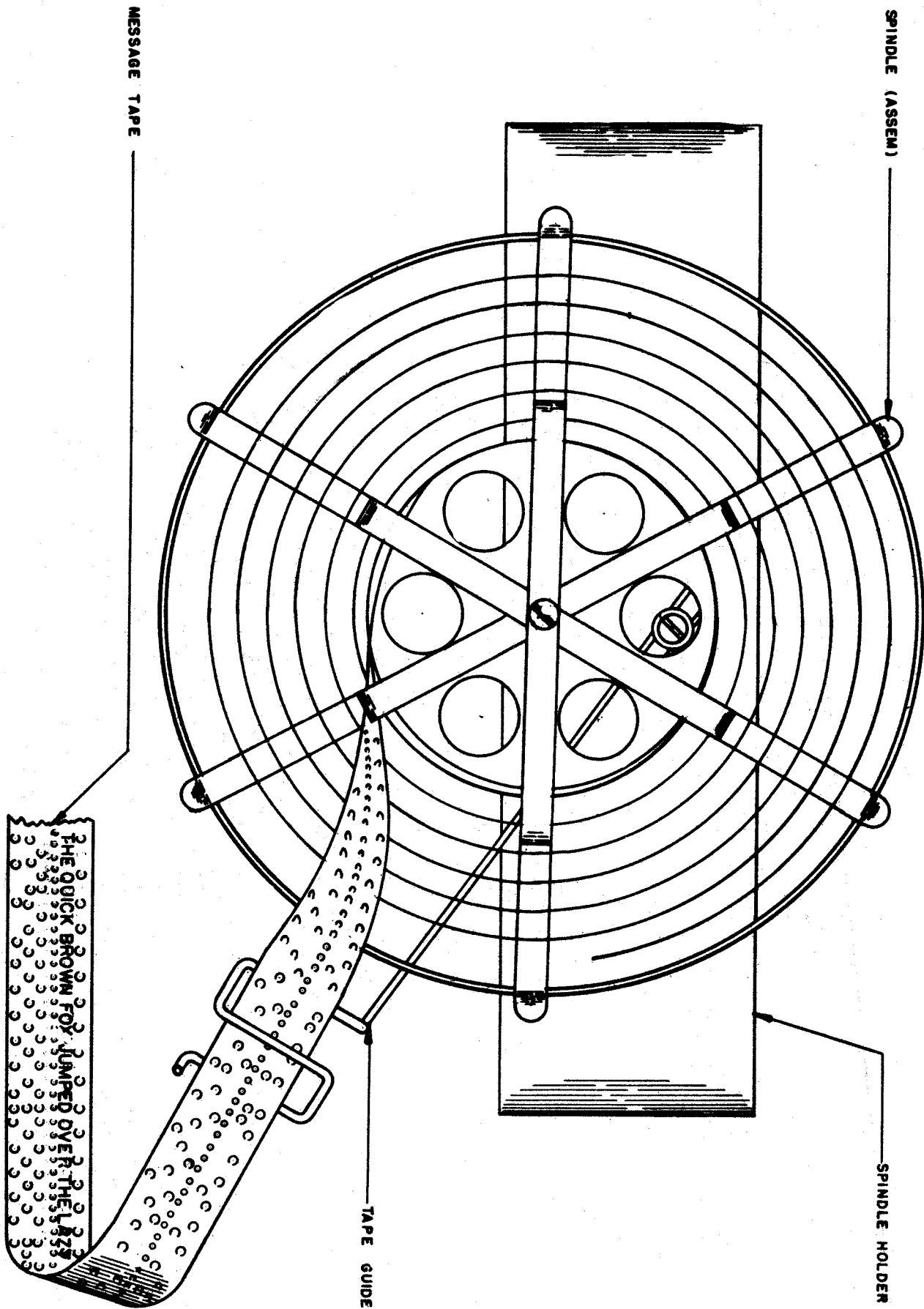


FIGURE 3