

**\*INSTRUCTIONS FOR INSTALLING THE  
159358 MODIFICATION KIT ON A  
MODEL 28 TYPING UNIT TO PERMIT  
RESTING THE UNIT ON END FOR SERVICING**

**1. GENERAL**

\*a. The 159358 Modification Kit, when installed on a Model 28 Typing Unit, permits resting the unit on either the left or right end for servicing.

\*b. Typing Units with serial numbers below 30550 contain a 152538 front plate assembly and a 150554 plate with an extended left end which also serves as a leg in standing the printer on end. These Typing Units do not use the 153809 supporting post assembly.

\*c. The 159358 Modification Kit consists of:

2	151627	Rod
4	152258	Post
1	153809	Supporting Post Assembly

**\*2. INSTALLATION (Figures 1 and 2)**

a. Install the 151627 rods, which hold the 152258 posts in place and provide bracing, between the side frames of the typing unit. Locate one to the rear of the 152832 paper straightener shaft and the other to the rear and below the 150903 and 150904 paper spindle blocks. Secure the rods in position by passing the threaded ends of the 152258 posts through the hole provided in the side frame and screwing the posts into the rods.

\*b. Loosen the 150040 clamp screw and slide the 153809 supporting post assembly into position with the clamp on the back side of the 150554 plate. Tighten the 150040 screw.

\* \* \*

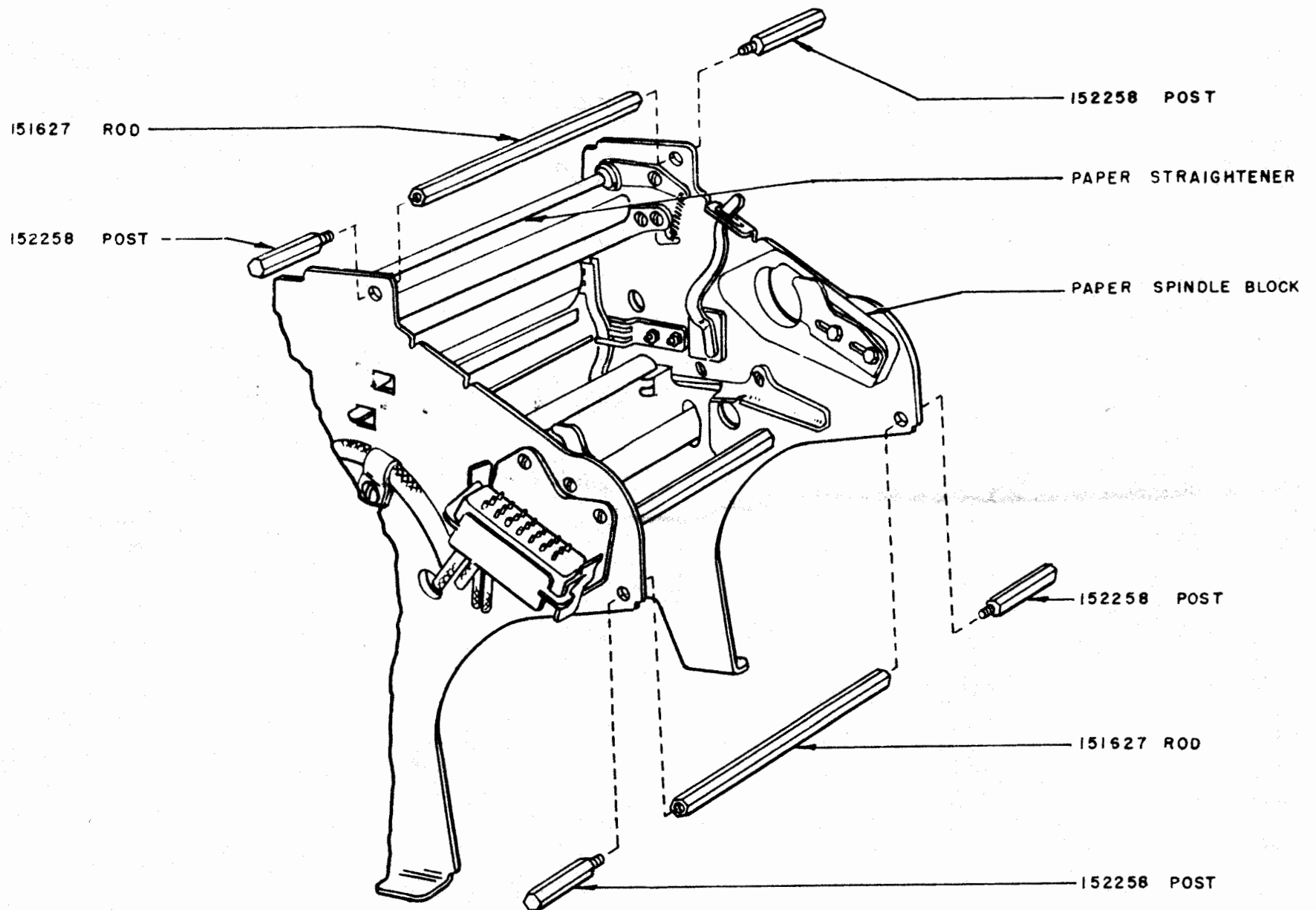
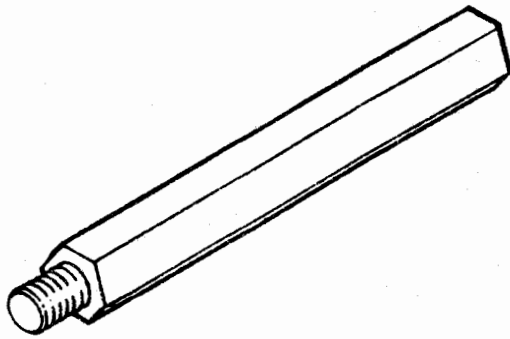
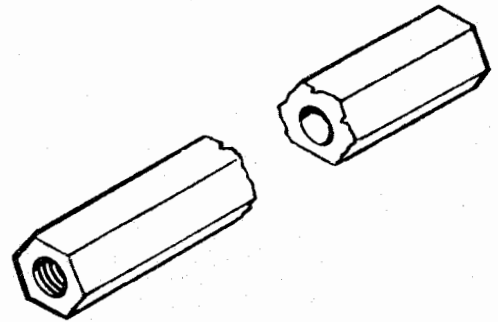


FIGURE 1



152258 POST (4 REQ.)



151627 ROD (2 REQ.)

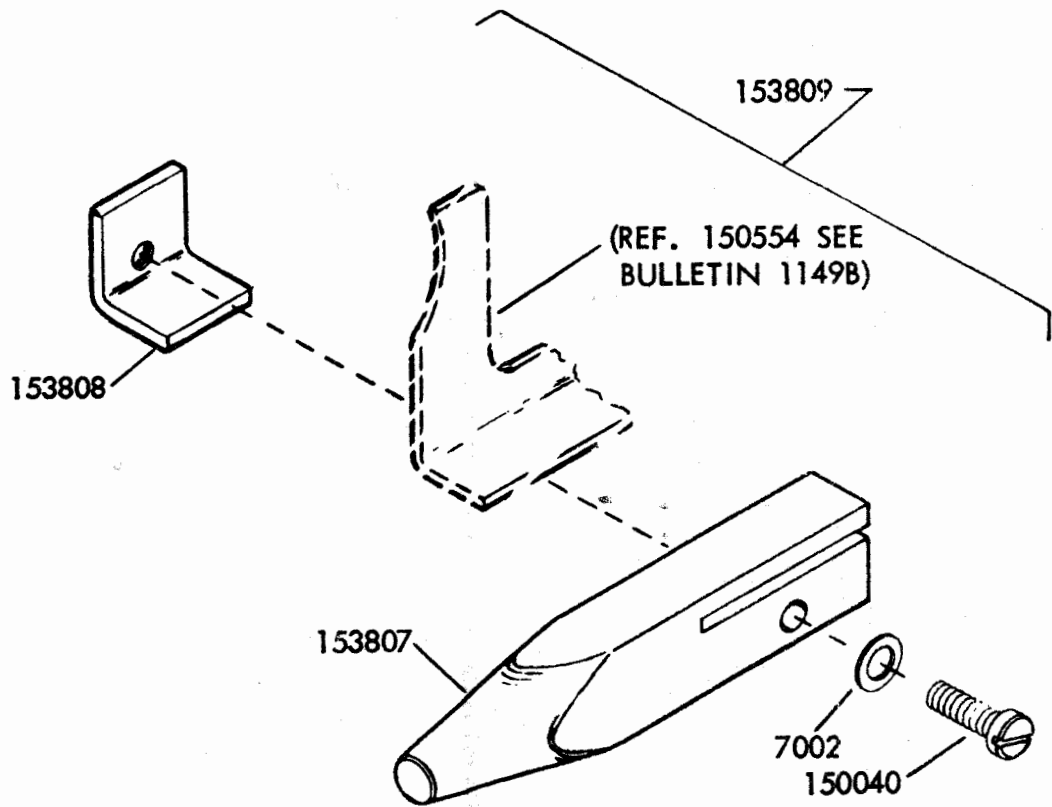


FIGURE 2