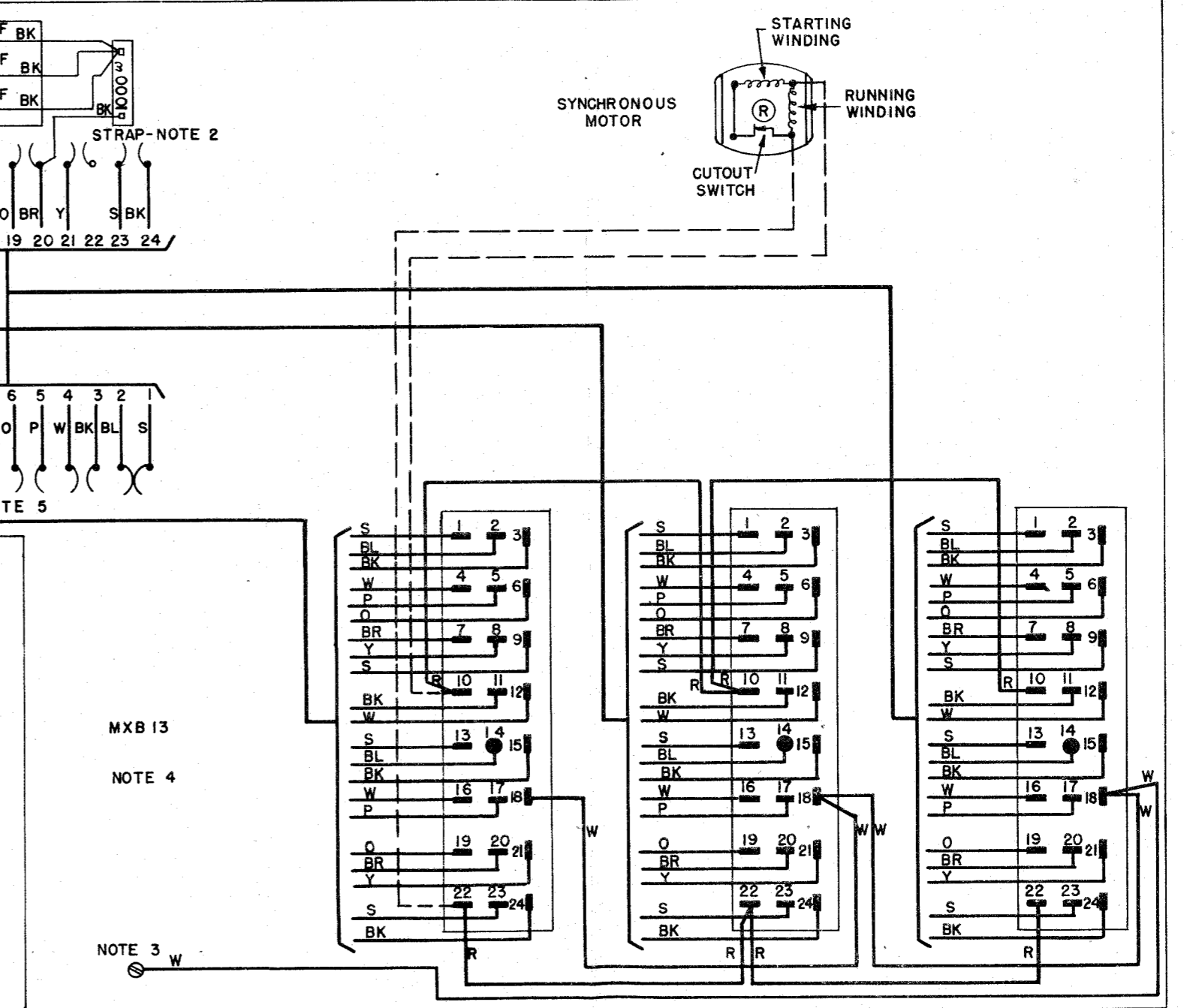
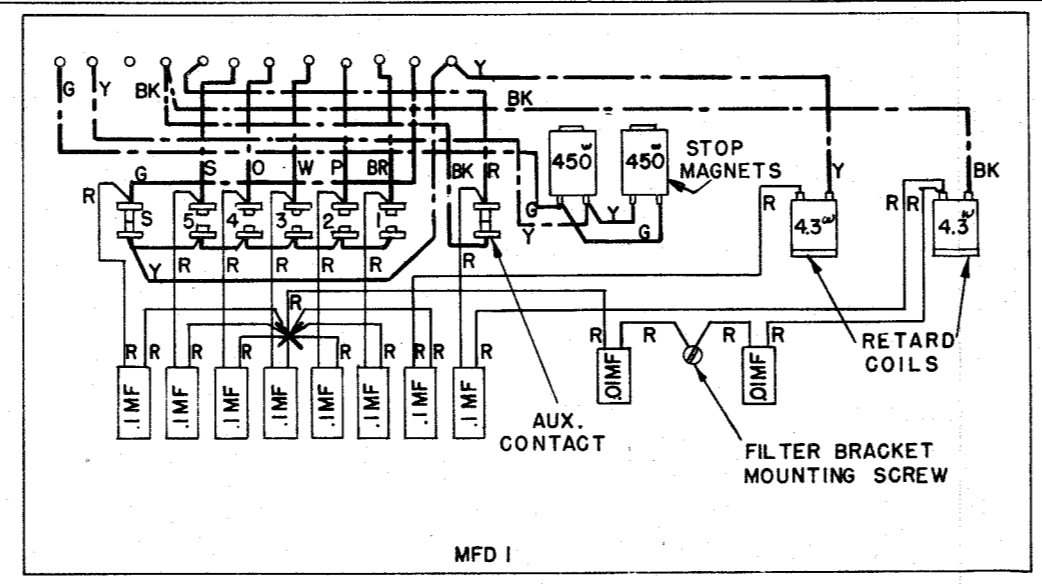
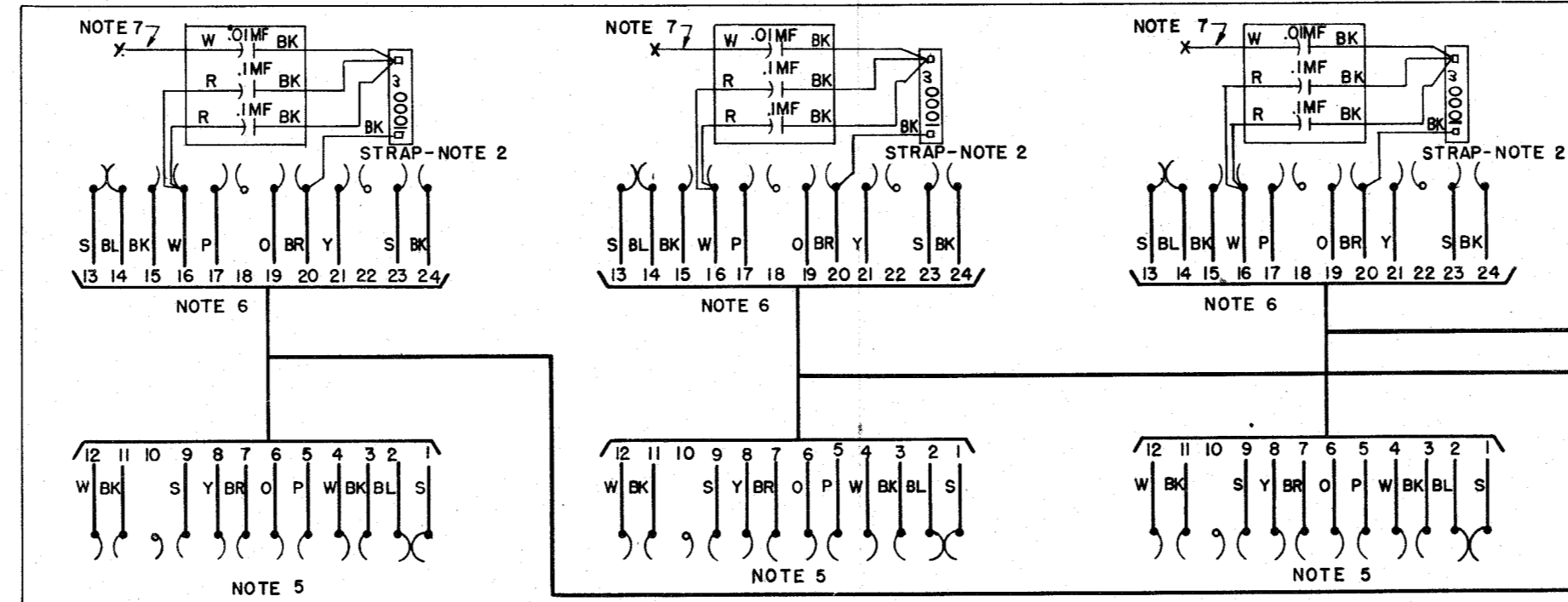
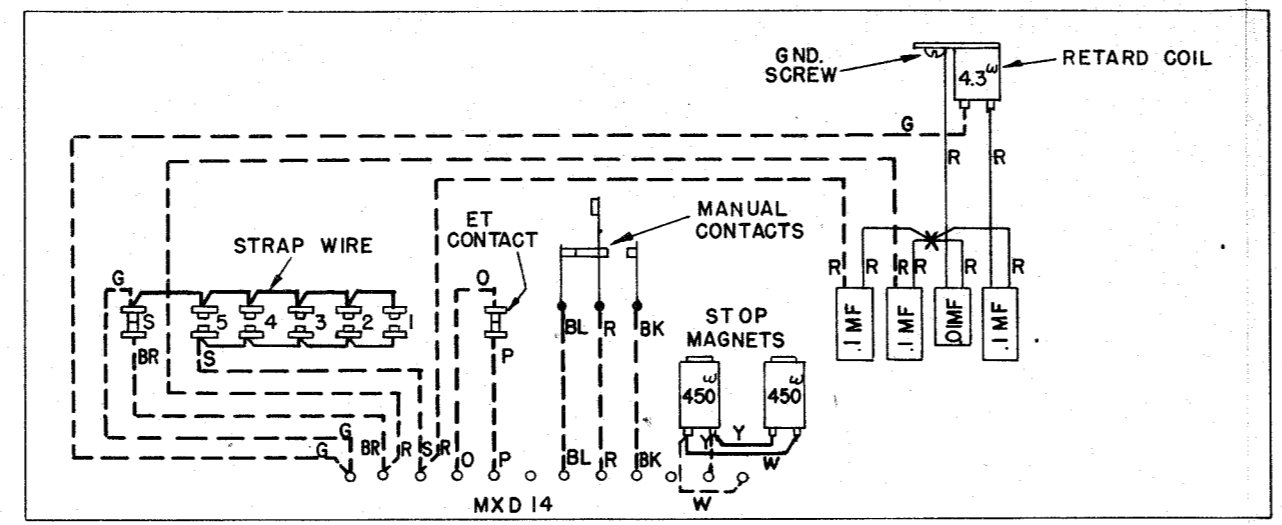


REVISIONS		
A	11-26-47	43299
B	1-7-48	43600

- NO. NOTES
- WIRE COLOR CODE: (COLOR MAY BE SOLID OR TRACER IN WHITE WIRE)
 Y YELLOW W WHITE R RED
 G GREEN O ORANGE BK BLACK
 BR BROWN S SLATE BL BLUE
 P PURPLE (RED & BLUE TRACER)
 - SYMBOLS:
 X ——— DENOTES TAPED WIRE
 * ——— DENOTES SPLICED AND TAPED WIRE
 - ASSOCIATED CABLES:
 ——— 115472 MXB13
 - - - 115474 MXD14
 - - - 115473 MFD1
 ——— FILTER WIRING
 - - - MOTOR LEADS
 96208 BK STRAP USED ON BASE FILTER
 - 107398 TERMINAL USED ON GROUND WIRE GROUNDED TO VIBRATION DAMPENER MOUNTING PLATE
 - MXB13 BASE VIEWED FROM BOTTOM
 - MFD1 UNITS MAY BE MOUNTED IN ANY OR IN ALL THREE POSITIONS.
 - MXD14 UNITS MAY BE MOUNTED IN ANY OR IN ALL THREE POSITIONS.
 - CUT LEAD 2 INCHES LONG AND TAPE END.



WD-2453-B
 9-3-47

WIRING DIAGRAM
 MULTIPLE TRANSMITTER
 DISTRIBUTOR MXD 14
 MULTIPLE TRANSMITTING
 DISTRIBUTOR MFD1
 MULTIPLE DISTRIBUTOR
 BASE MXB13

DRAWN: G.A.R. APPROVED:
 ENGR'D: [Signature] R.A.M.
 FILE: 1-43.97AA

TELETYPE CORPORATION