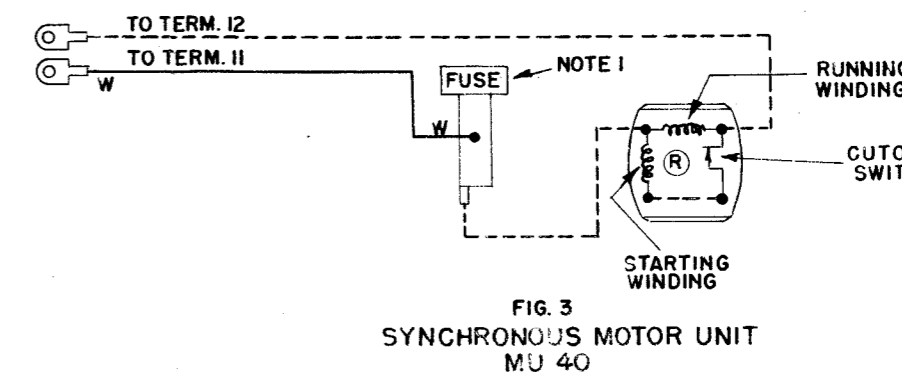
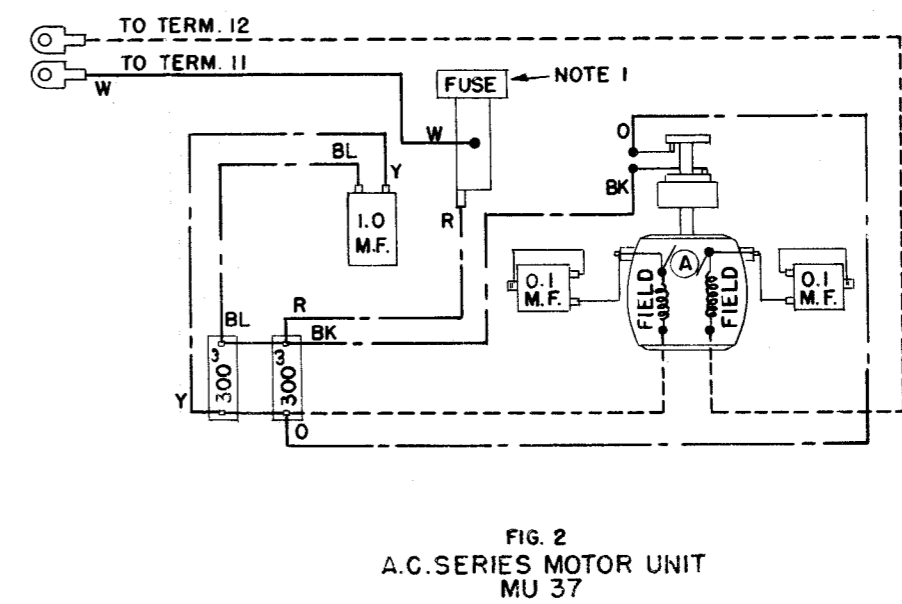
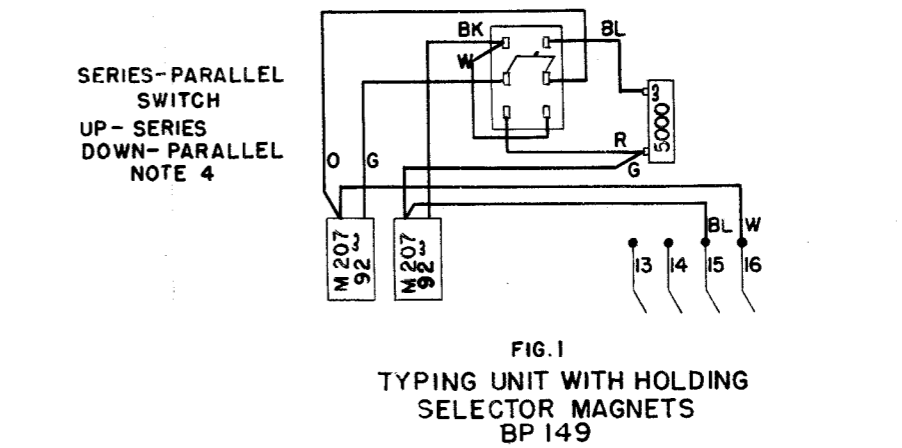
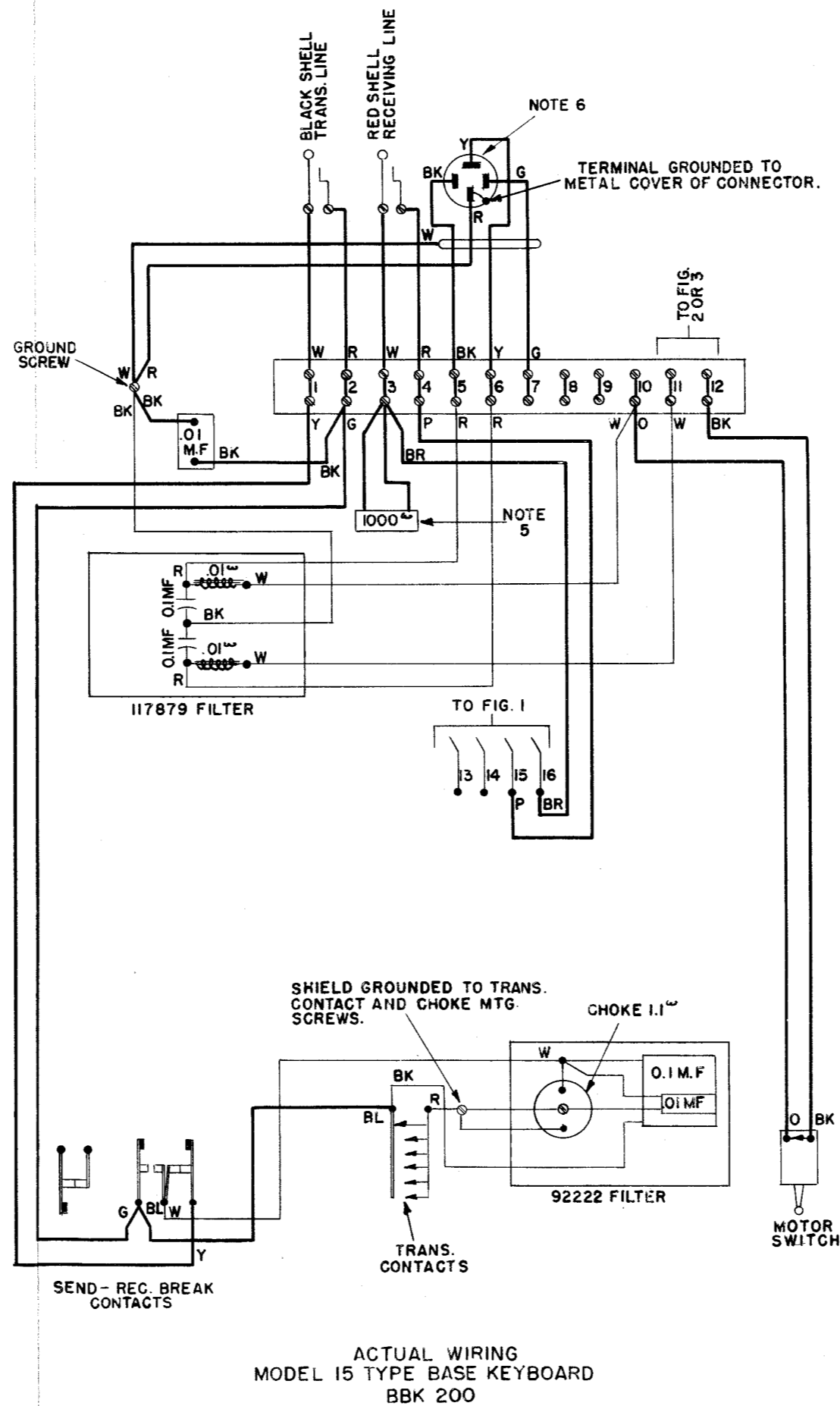


NO.	NOTES																				
1	RECOMMENDED FUSETRON OR FUSE 110 V. A.C. 60 CYCLE SYN. 3.0 AMP. (FUSE) 110 V. A.C. 60 CYCLE GOV. 1.6 AMP. (FUSETRON)																				
2	WIRE COLOR CODE. MAY BE SOLID COLOR OR TRACER IN WHITE WIRE. <table border="0"> <tr> <td>Y</td><td>YELLOW</td> <td>O</td><td>ORANGE</td> </tr> <tr> <td>G</td><td>GREEN</td> <td>S</td><td>SLATE</td> </tr> <tr> <td>BR</td><td>BROWN</td> <td>R</td><td>RED</td> </tr> <tr> <td>P</td><td>PURPLE (RED &amp; BLUE TRACER)</td> <td>BK</td><td>BLACK</td> </tr> <tr> <td>W</td><td>WHITE</td> <td>BL</td><td>BLUE</td> </tr> </table>	Y	YELLOW	O	ORANGE	G	GREEN	S	SLATE	BR	BROWN	R	RED	P	PURPLE (RED & BLUE TRACER)	BK	BLACK	W	WHITE	BL	BLUE
Y	YELLOW	O	ORANGE																		
G	GREEN	S	SLATE																		
BR	BROWN	R	RED																		
P	PURPLE (RED & BLUE TRACER)	BK	BLACK																		
W	WHITE	BL	BLUE																		
3	ASSOCIATED CABLES <table border="0"> <tr> <td>—————</td><td>117430 BASE-KEYBOARD</td> <td>-----</td><td>MOTOR LEADS</td> </tr> <tr> <td>-----</td><td>117443 MOTOR UNIT MU37</td> <td>-----</td><td>FILTER WIRING</td> </tr> <tr> <td>-----</td><td>91277 TYPING UNIT</td> <td></td><td></td> </tr> </table>	—————	117430 BASE-KEYBOARD	-----	MOTOR LEADS	-----	117443 MOTOR UNIT MU37	-----	FILTER WIRING	-----	91277 TYPING UNIT										
—————	117430 BASE-KEYBOARD	-----	MOTOR LEADS																		
-----	117443 MOTOR UNIT MU37	-----	FILTER WIRING																		
-----	91277 TYPING UNIT																				
4	BASE WIRING IS ARRANGED FOR DIRECT SELECTOR MAGNET OPERATION WITHOUT LINE RELAY. SUFFICIENT RESISTANCE MUST BE PROVIDED IN THE LINE CIRCUIT TO REDUCE THE LINE CURRENT TO THE PROPER VALUE. SELECTOR COILS IN SERIES .020 AMP. LINE CURRENT. SELECTOR COILS IN PARALLEL .060 AMP. LINE CURRENT.																				
5	TO REDUCE THE NEGATIVE INTERNAL BIAS OF HOLDING MAGNET TYPE PRINTERS WITH THE COILS CONNECTED IN PARALLEL, TRANSFER ONE LEAD OF 1000 RESISTOR TO TERMINAL 4.																				
6	MALE CONNECTOR SHOWN FROM PRONG SIDE.																				



ACTUAL WIRING  
MODEL 15 TYPE BASE KEYBOARD  
BBK 200

REVISIONS

WD. 2495  
2-5-48

WIRING DIAGRAM

MODEL 15 PRINTER  
WITH BASE-KEYBOARD  
BBK 200  
BP 149  
MU 37, 40

DRAWN L. A.	APPROVED
ENG'RD. H. E. K.	<i>[Signature]</i>
CHECKED <i>[Signature]</i>	

FILE: 115-30.8/120 AA

TELETYPE CORPORATION