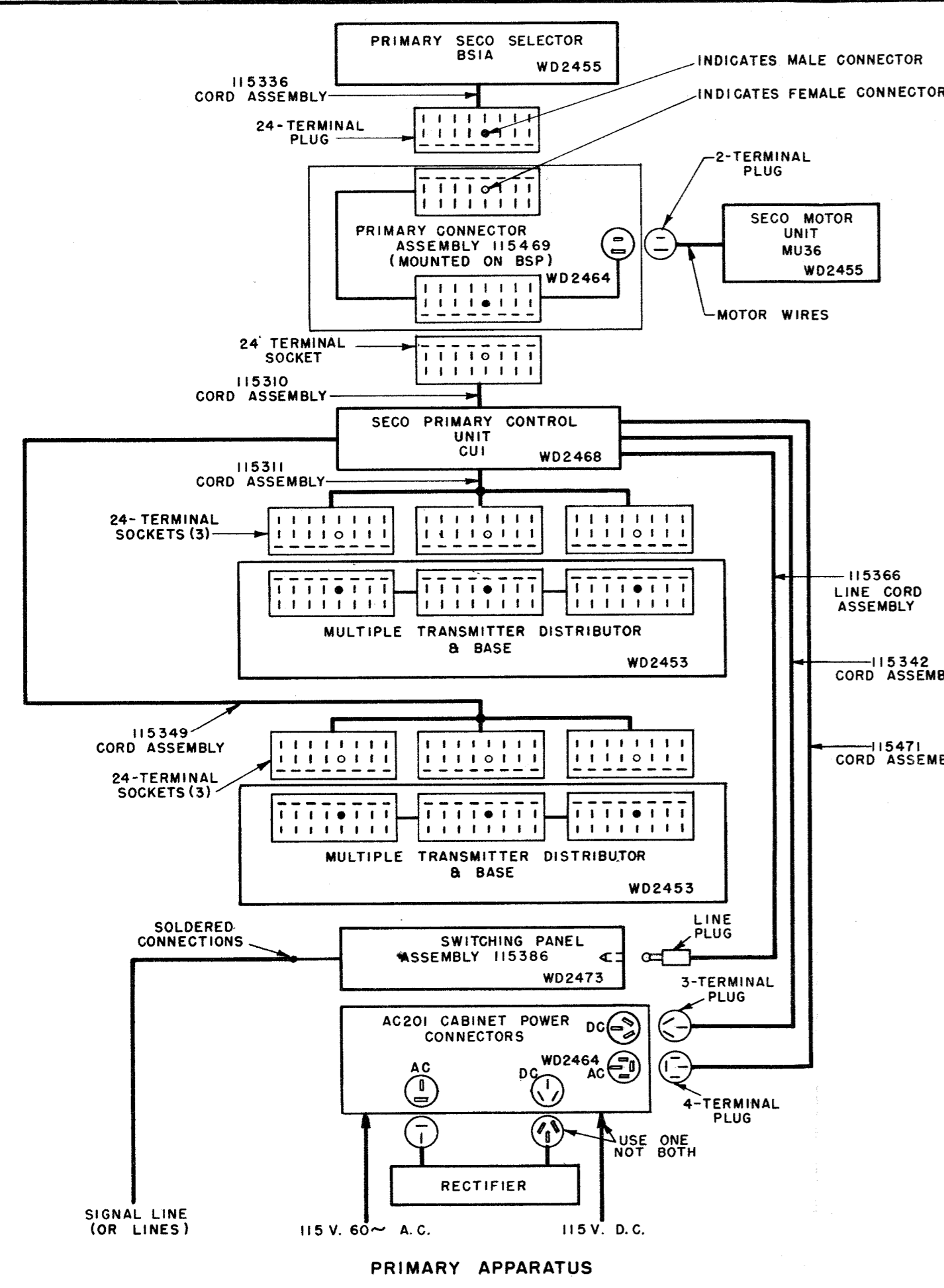
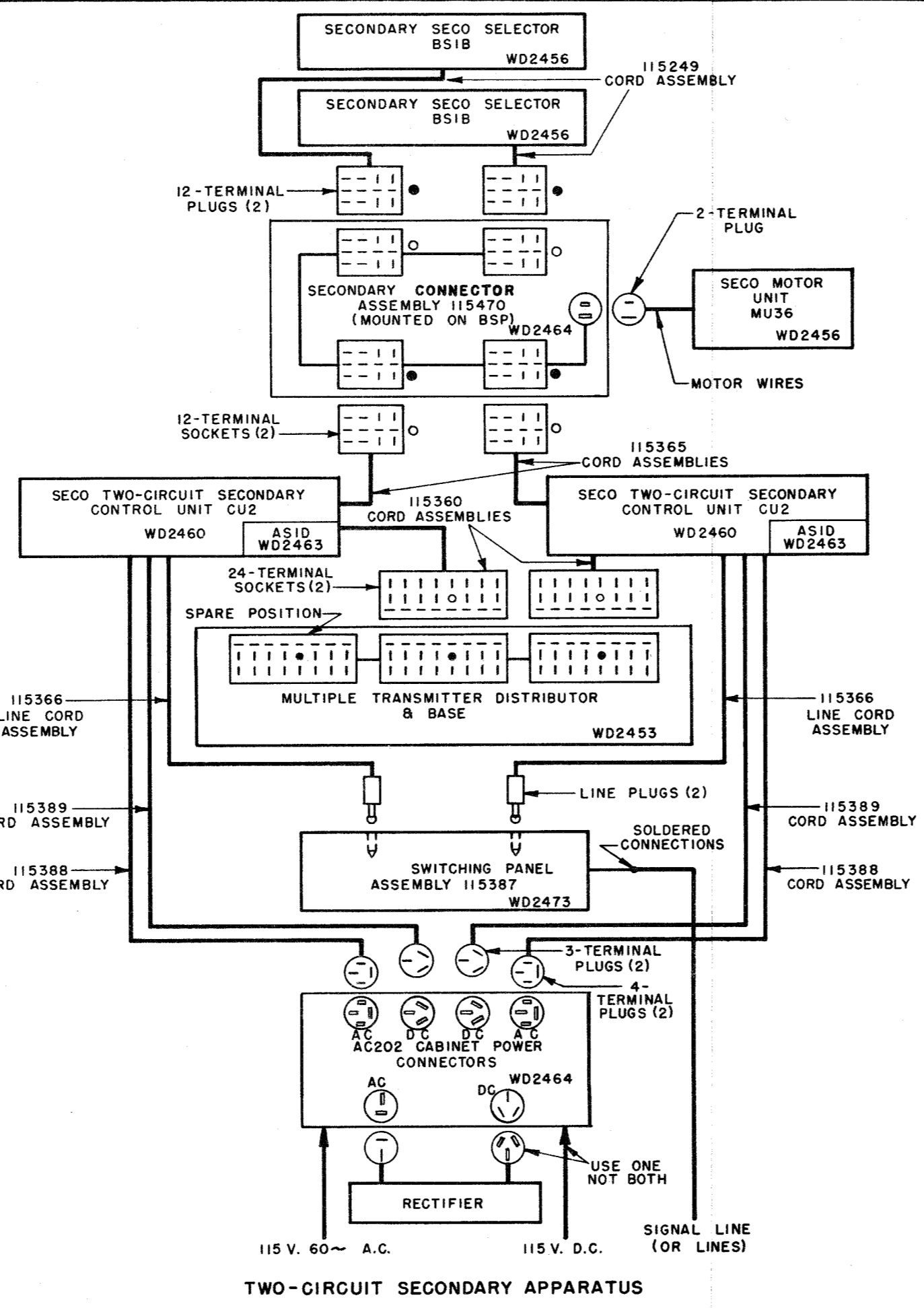


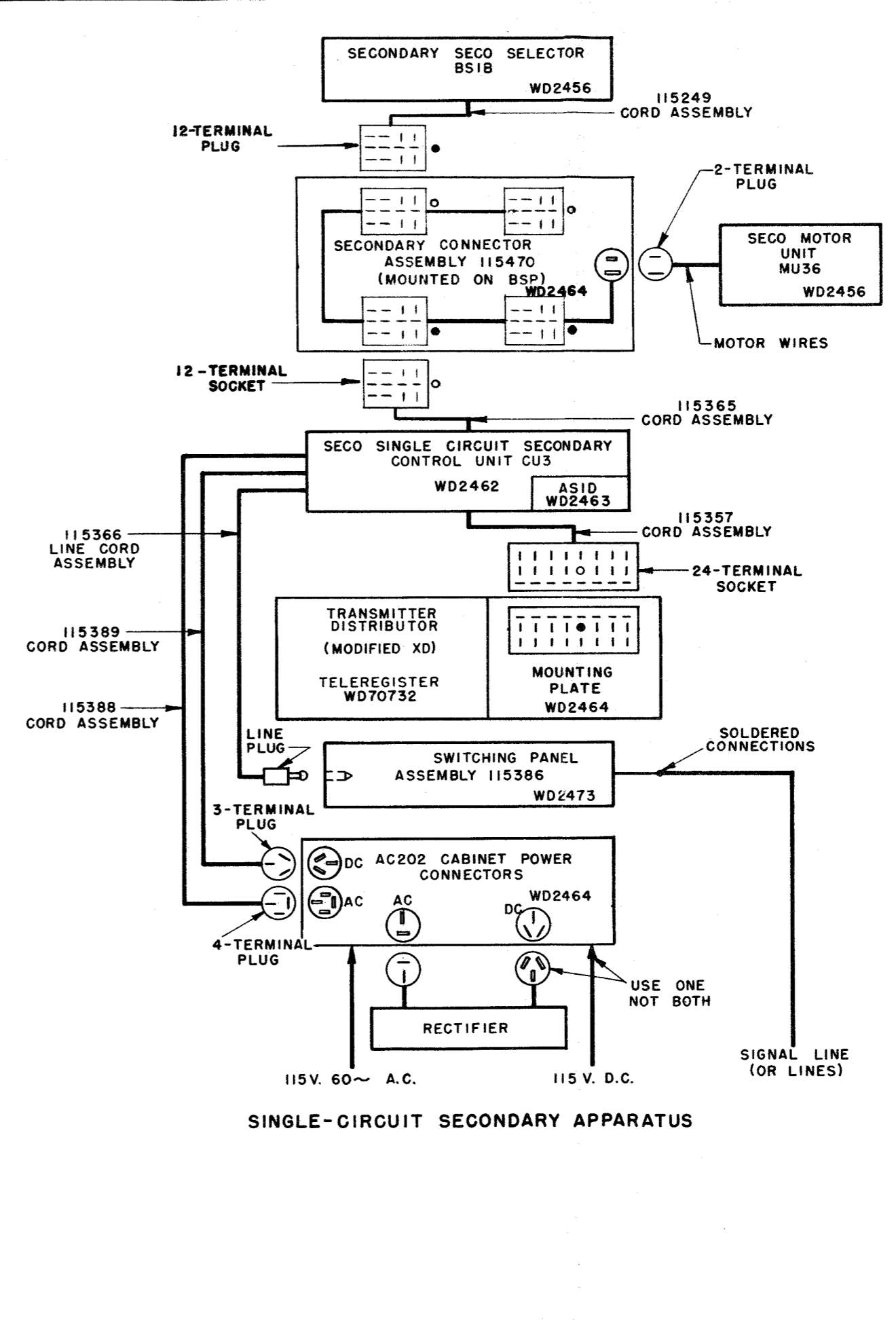
REVISIONS:		
A	12-29-47	43557
B	3-11-48	44055



PRIMARY APPARATUS



TWO-CIRCUIT SECONDARY APPARATUS



SINGLE-CIRCUIT SECONDARY APPARATUS

WD-2514-B

SECO APPARATUS INTERCONNECTING FACILITIES

DRAWN: H.T.C. APPROVED: ENG'R D. R. J. *FR*

CHECKED: *FWP* *SW*

FILE: 2-A97AA

TELETYPE CORPORATION