

NO.	NOTES
1.	ALL RESISTORS 1/2 WATT. RESISTANCE VALUES IN OHMS. CAPACITANCE VALUES IN MICROFARADS UNLESS OTHERWISE SPECIFIED
2.	INDICATES FEMALE TERMINAL INDICATES MALE TERMINAL
3.	INDICATES SINGLE SHIELDING INDICATES DOUBLE SHIELDING
4.	SL-BL INDICATES SLOW-BLOWING.
5.	INDICATES CIRCUIT COMMON
6.	WIRING LEGEND: DISTANT TERMINATING AREA DISTANT TERMINATING DESIGNATION A-1-W WIRE COLOR CODE
7.	TERMINAL DESIGNATIONS ENCLOSED IN PARENTHESIS ARE FOR REFERENCE AND ARE NOT MARKED ON COMPONENT.
8.	ASSOCIATED DIAGRAMS: 8099WD WIRING DIAGRAM LXDB 20 8309WD WIRING DIAGRAM LXD 37
9.	8 OHMS (MAX.) PRIMARY RESISTANCE 10 OHMS (MAX.) SECONDARY RESISTANCE TO CENTER TAP.
10.	WHEN PULSED OPERATION OF AN LXD IS NOT USED TERMINALS TD-6 AND TD-1 SHOULD BE STRAPPED.
11.	COLOR CODE: BK - BLACK R - RED BR - BROWN P - PURPLE BL - BLUE W - WHITE G - GREEN Y - YELLOW O - ORANGE S - SLATE
12.	TC BOARD IS MOUNTED WITH NO. 6 CLOSEST TO FUSE. TD BOARD HAS NO. 1 CLOSEST TO FILTER CHOKES.
13.	CONNECTOR SHOULD BE MOUNTED WITH S AT CAPACITOR MOUNTING SIDE. PC SHOULD BE MOUNTED CLOSEST TO TRANSFORMER AND KB SHOULD BE MOUNTED IN THE CENTER. POLARIZING KEYS SHOULD BE INSERTED BETWEEN H AND F OF CA, BETWEEN J AND K OF KB AND BETWEEN M AND N OF PC.
14.	INDICATES OUTER SHIELD AND INDICATES INNER SHIELD
15.	ALL VOLTAGES DC UNLESS OTHERWISE SPECIFIED.
16.	WHEN IT IS DESIRED TO USE EXTERNAL BATTERY REMOVE TAPE AND TIE THESE LEADS. APPLY + BATTERY (6.6 TO 7.8V) TO TD-6 AND - BATTERY (6.6 TO 7.8V) TO TD-5. IF ±5V IS SUPPLIED THE KEYS OUTPUT WILL DROP TO ± 4.5V.
17.	INNER SHIELD GROUND NUT ON CONNECTOR MOUNTING
18.	DR - INDICATES DRAIN WIRE.
19.	ASSOCIATED CABLE ASSEMBLIES - 324154.
20.	ALL SURFACE WIRE 24 AWG GREEN, 31784RM UNLESS OTHERWISE SPECIFIED ALL STRAPPING WIRE 24 AWG BARE, 39603PM. USE SLEEVING WHERE REQUIRED.
21.	THESE CABLES CONNECT TO THE LXD TERM. BLOCK WHEN SET IS ASSEMBLED.
22.	CUSTOMER MAY CONNECT TC-5 TO GROUND IF REQUIRED.

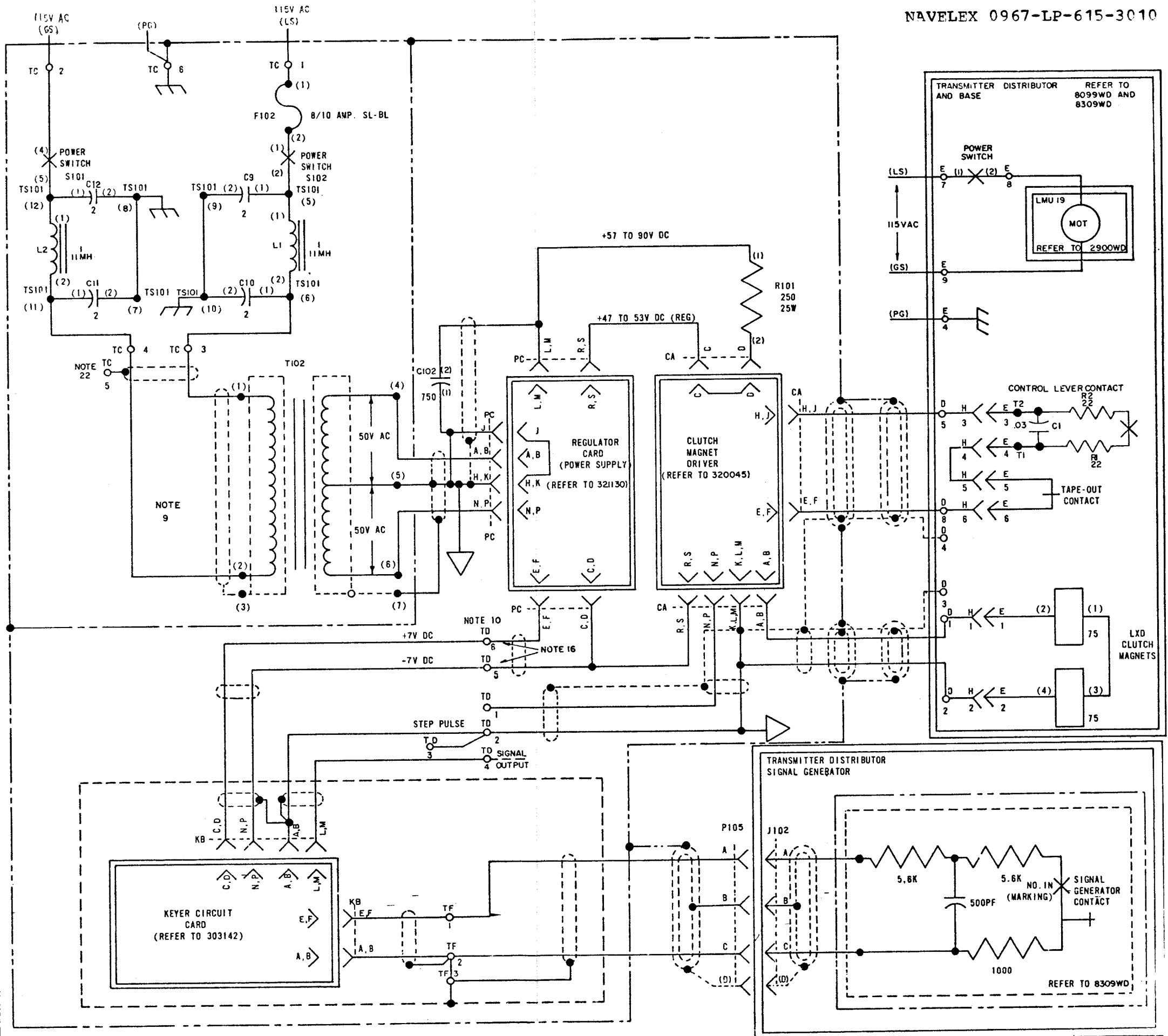
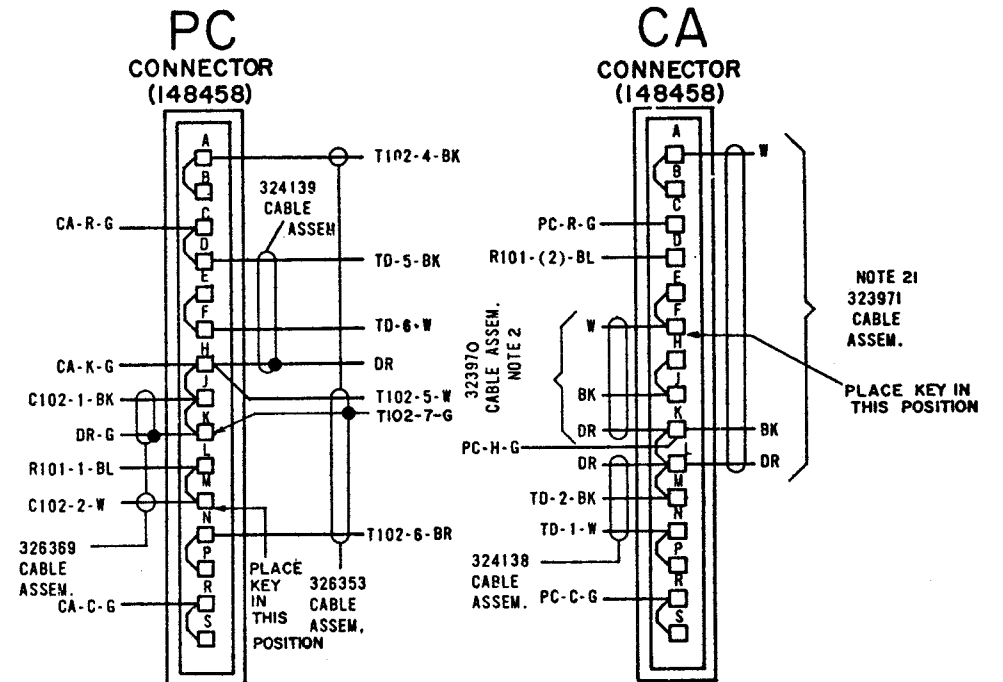
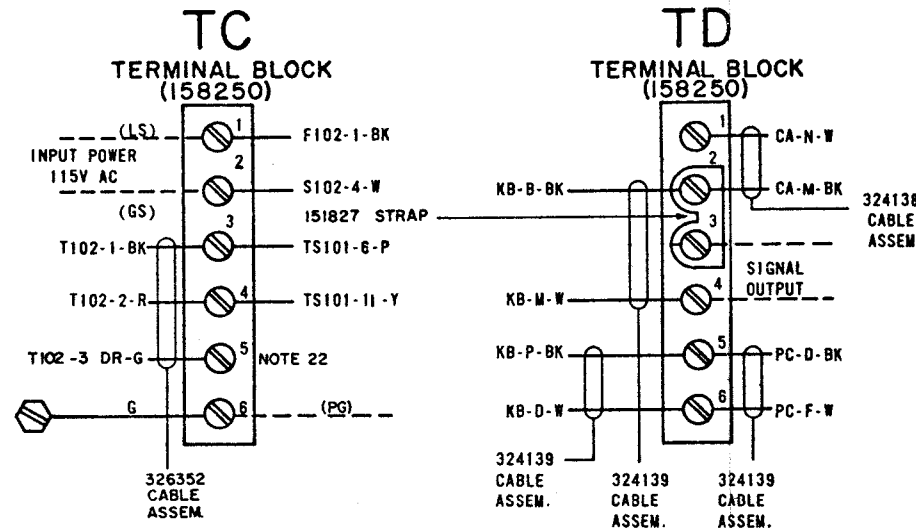
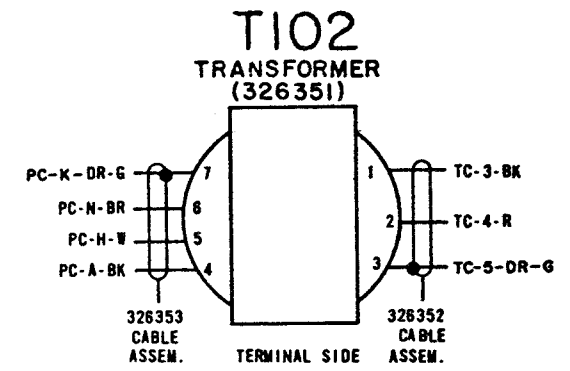
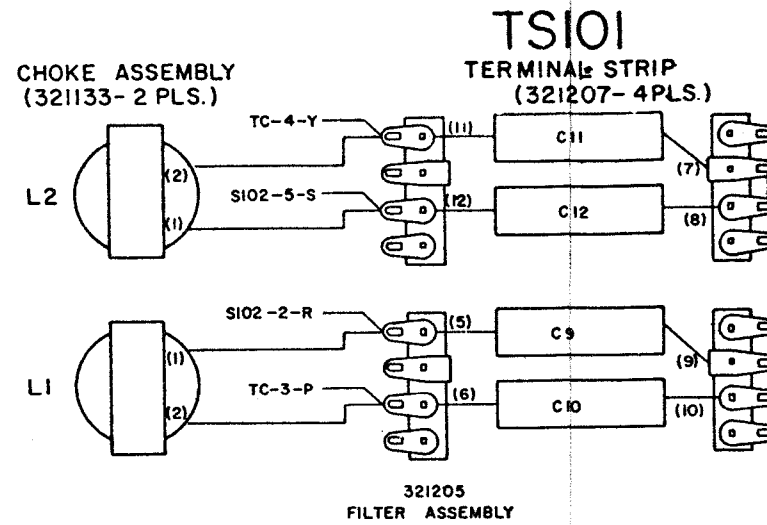
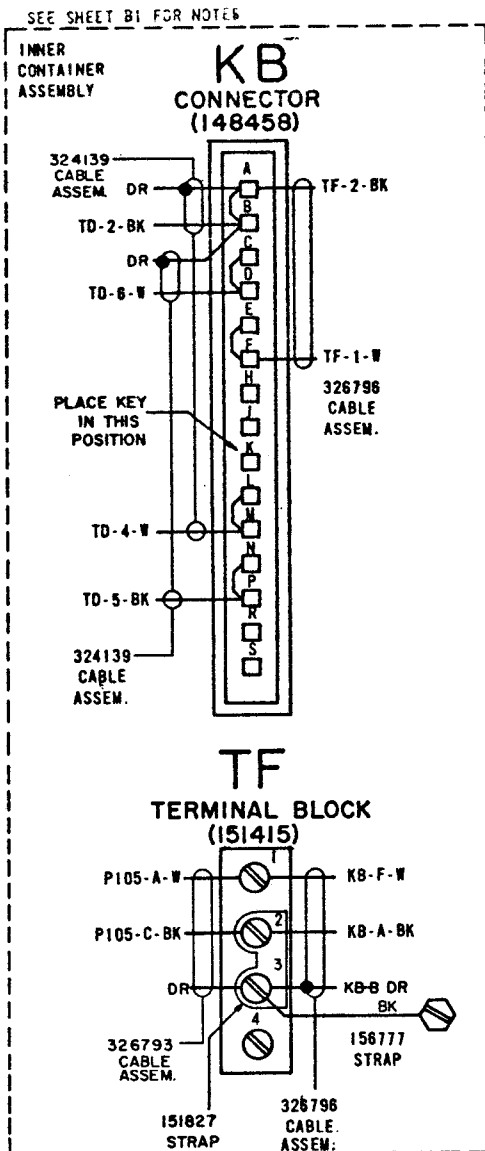
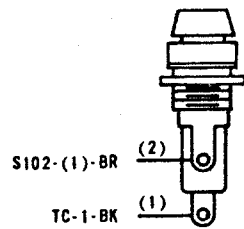


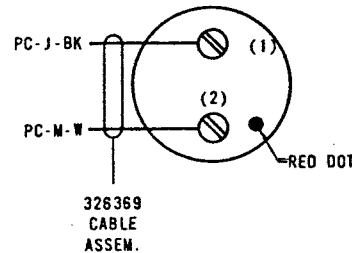
Figure 5-12. Electrical Service Assembly 326792 Schematic Diagram



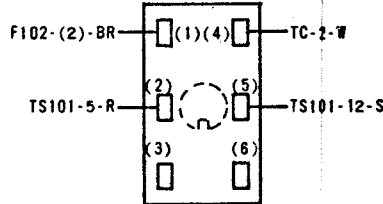
F102 FUSE HOLDER (116783)



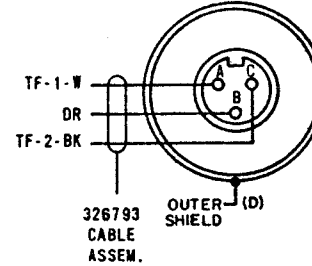
C102 CAPACITOR (321129)



S102 SWITCH (118659)



P105 CONNECTOR (324141)



R101 RESISTOR (172726)



Figure 5-13. Electrical Service Assembly 326792 Wiring Diagram