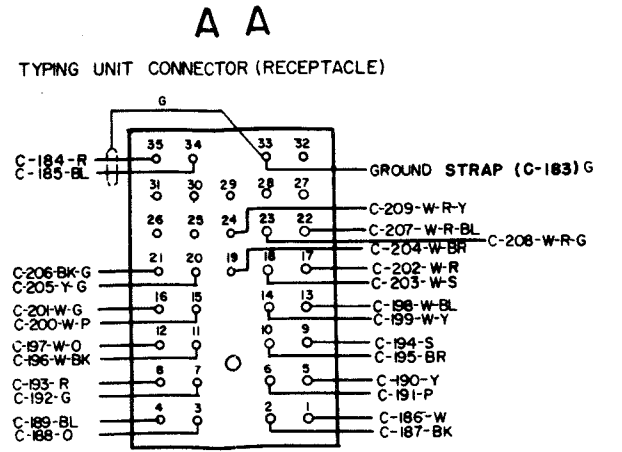
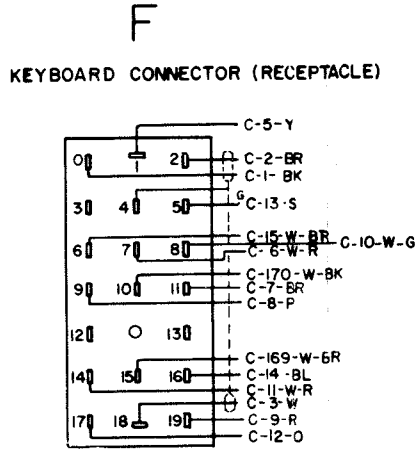
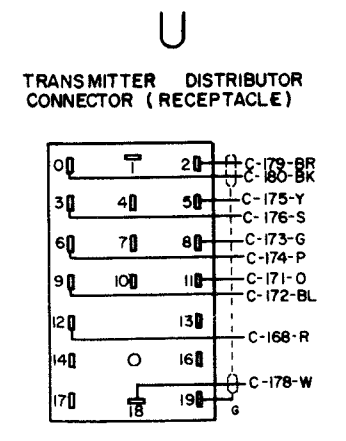
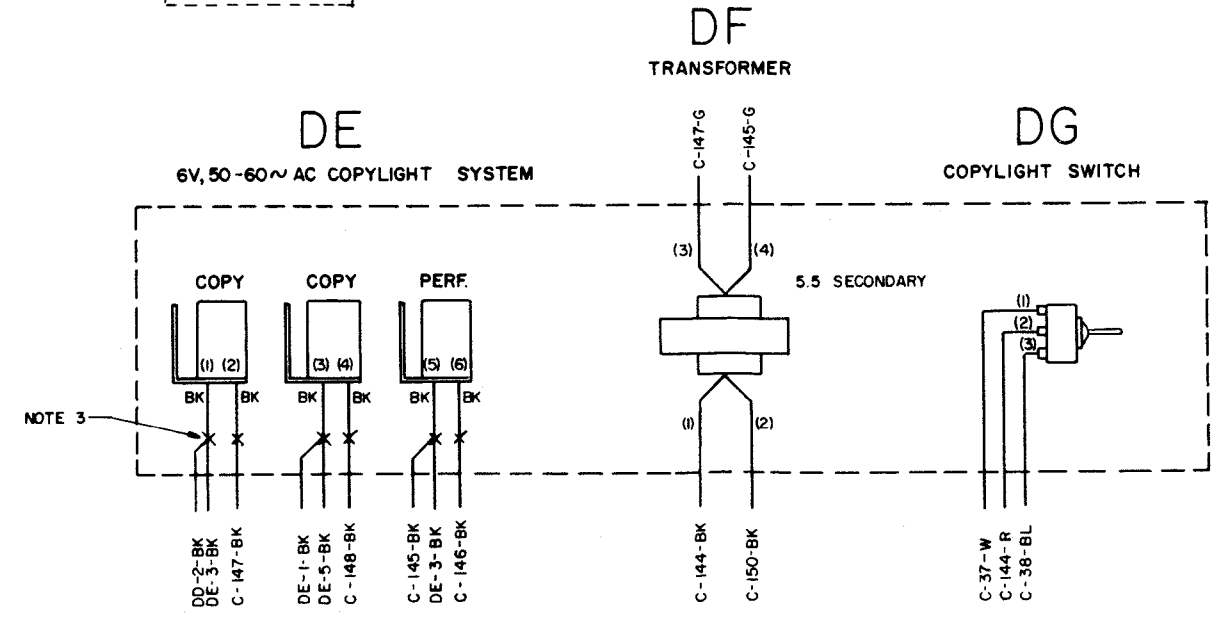
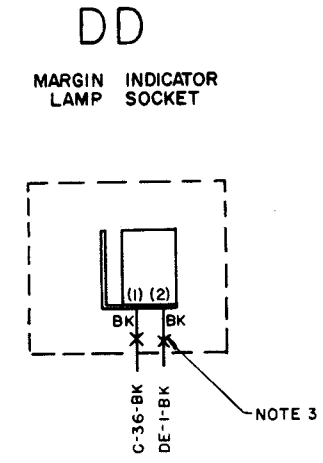
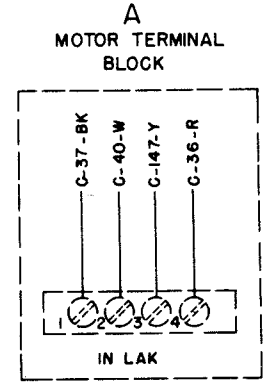
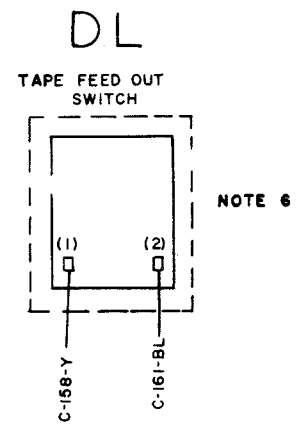
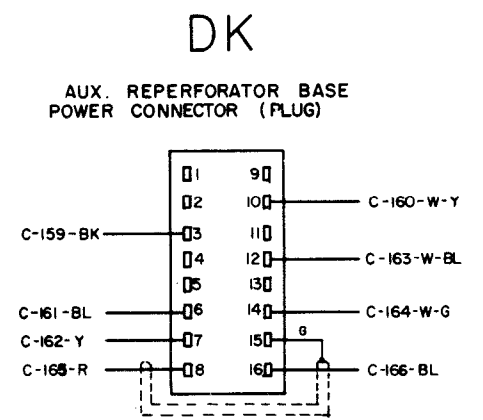
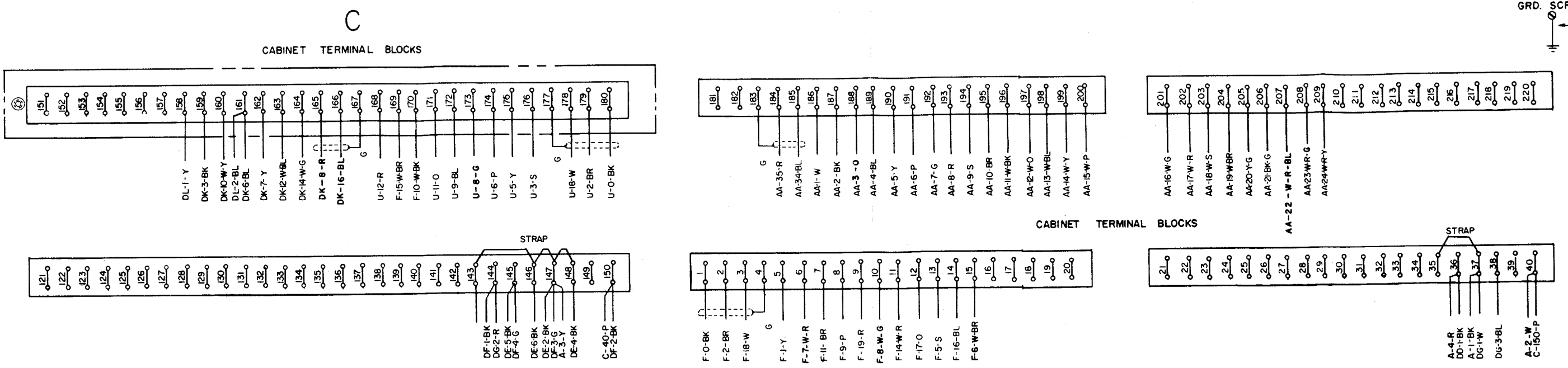
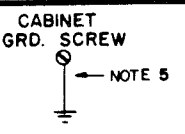


4267WD		
REVISIONS		
ISSUE	DATE	AUTH. NO.
A	7-28-60	CC/266
B	11-29-60	CC/182
C	1-28-61	CC/181
D	5-20-63	76637

- NOTES**
1. WIRING LEGEND
 2. COLOR CODE

BK - BLACK	W - BK - WHITE - BLACK
BR - BROWN	W - BR - WHITE - BROWN
R - RED	W - R - WHITE - RED
O - ORANGE	W - O - WHITE - ORANGE
Y - YELLOW	W - Y - WHITE - YELLOW
G - GREEN	W - G - WHITE - GREEN
BL - BLUE	W - BL - WHITE - BLUE
P - PURPLE	W - P - WHITE - PURPLE
W - WHITE	W - S - WHITE - SLATE
S - SLATE	
 3. —X— DENOTES SPLICED AND TAPED WIRES.
 4. ASSOCIATED CABLES
159279 TRANSFORMER CABLE
154440 CABINET LIGHTS, SWITCH CABLE
173458 KEYBOARD CABLE
173455 PAGE PRINTER CABLE
173456 TRANS. DIST. BASE CABLE
173457 AUX. TYPING REPERFORATOR BASE CABLE
173781 MOTOR & MARGIN INDICATOR CABLE
 5. GROUND WIRE MAY BE ATTACHED TO THE RIGHT 54442 TERMINAL BLOCK ASSEMBLY MOUNTING STUD BY MEANS OF THE TERMINAL BLOCK COVER MOUNTING SCREW AND LOCK WASHER
 6. ACCESSORY PART OF 173778 CONTROL PANEL ASSEM.



ACTUAL WIRING DIAGRAM FOR M-28 AUTOMATIC SEND-RECEIVE CABINET LAAC229

APPROVALS
 D. A. R. E. OF M.
 A.M.L.

PROJ. NO. 4267WD
 DATE: 6-7-60
 P.D. FILE NO. 18-185/2-29A
 DRAWN BY G. C. W. / A.
 ENGR. D. C. L. / APP. / J.
 TELETYPE CORPORATION
 4267WD