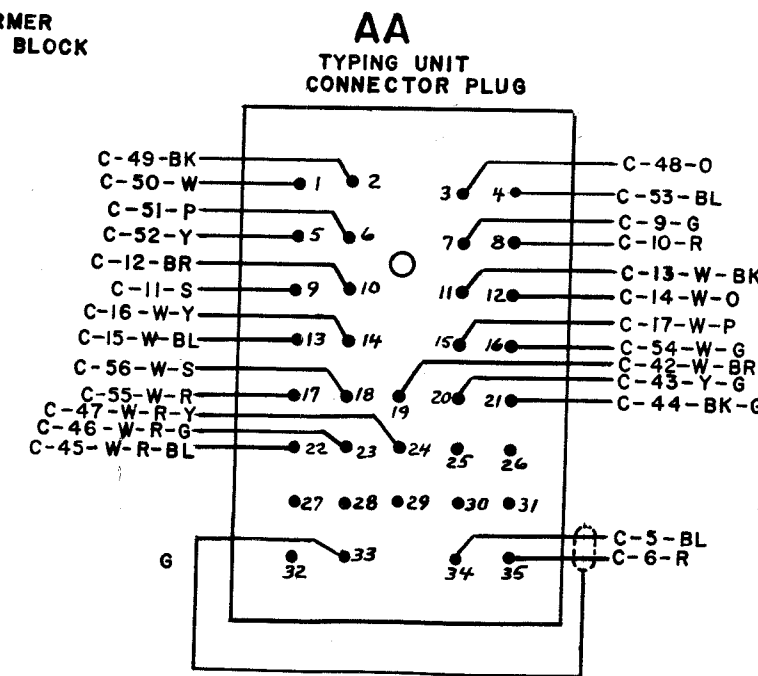
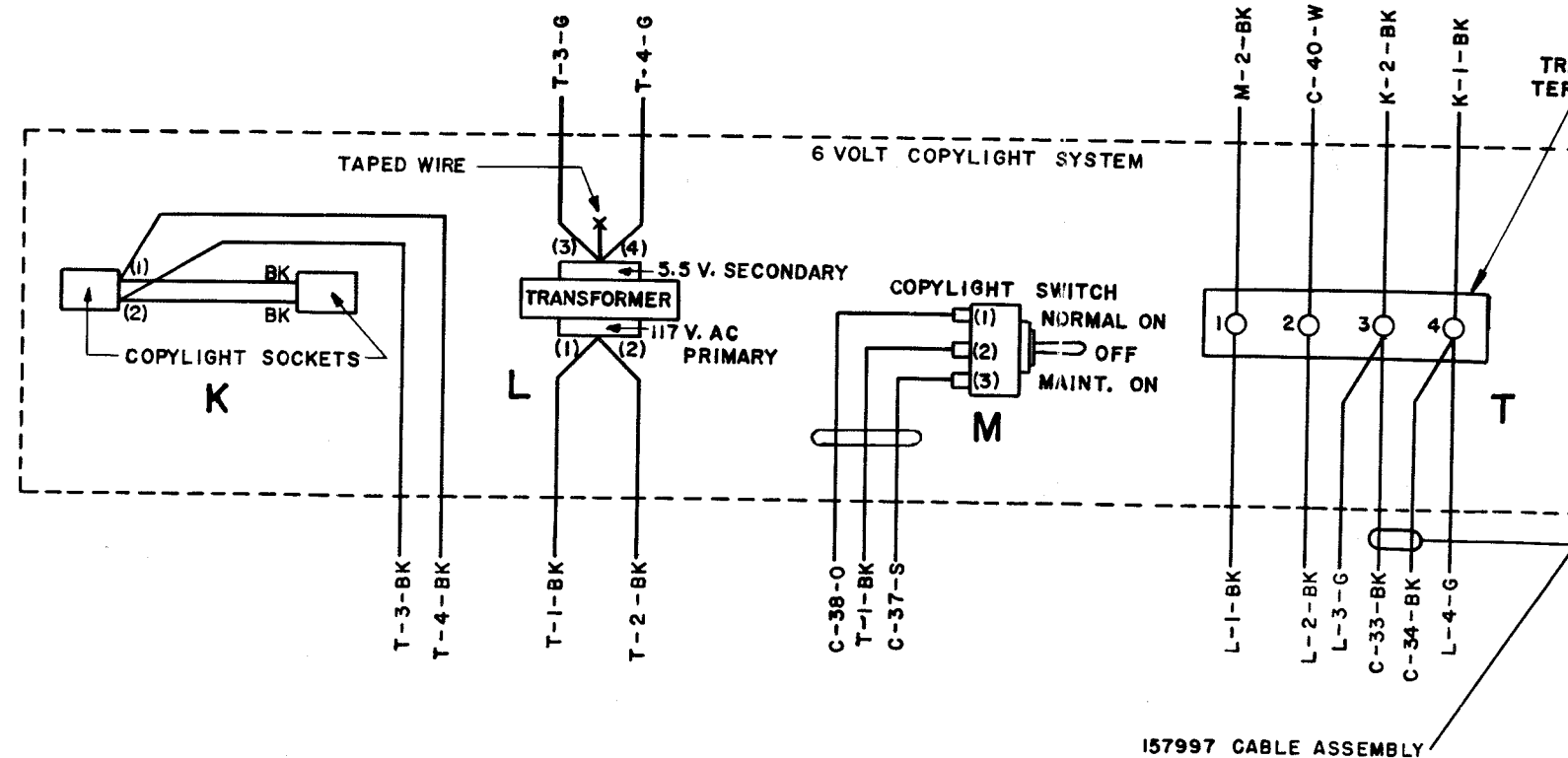
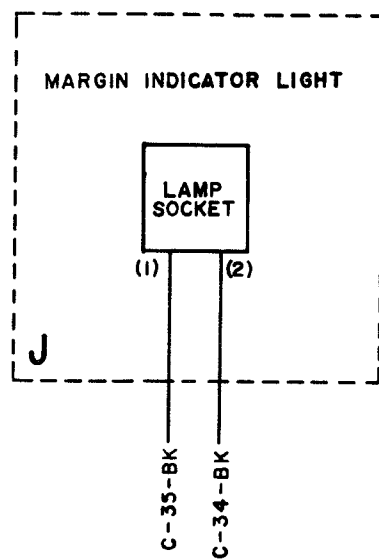
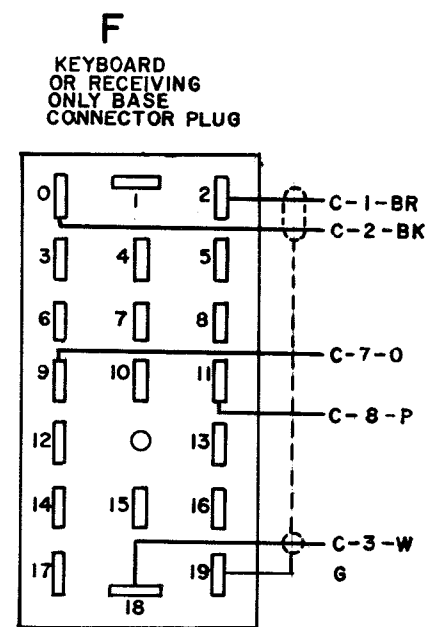
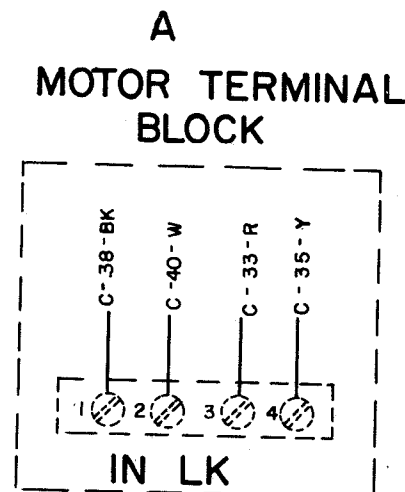
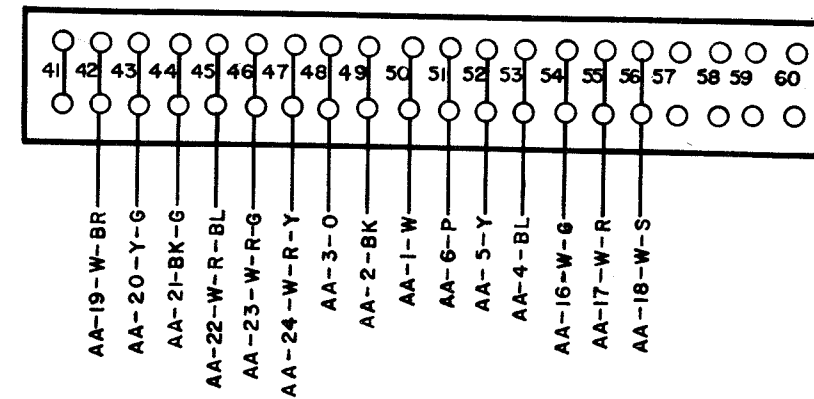
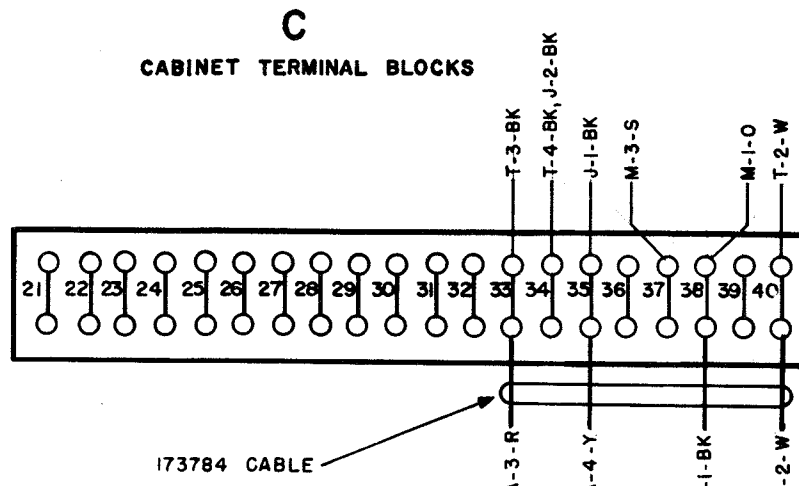
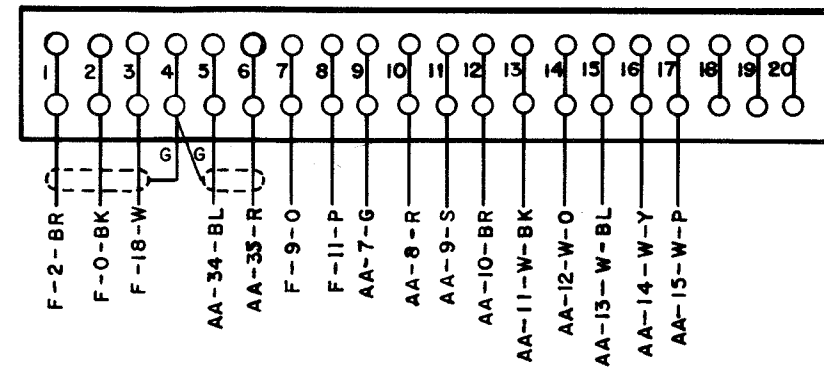


- NO. NOTES
1. WIRING LEGEND:
- DISTANT TERMINATING AREA
 - DISTANT TERMINAL DESIGNATION
 - WIRE COLOR CODE
2. COLOR CODE:
- | | | | |
|------------|------------|--------------------|--------------------|
| BK = BLACK | P = PURPLE | W-BK = WHITE-BLACK | W-P = WHITE-PURPLE |
| BL = BLUE | R = RED | W-BL = WHITE-BLUE | W-R = WHITE-RED |
| BR = BROWN | S = SLATE | W-BR = WHITE-BROWN | W-S = WHITE-SLATE |
| G = GREEN | Y = YELLOW | W-G = WHITE-GREEN | W-Y = WHITE-YELLOW |
| O = ORANGE | W = WHITE | W-O = WHITE-ORANGE | |
3. COMPONENTS SHOWN DOTTED ARE ACCESSORIES TO CABINET.
4. CABINET POWER CIRCUIT WIRED FOR 115V. 50-60~AC OPERATION ONLY.
5. CONNECTORS VIEWED FROM SOLDER TERMINAL END.
6. SHIELDING STRAP OF SELECTOR CABLE.

4268WD		
REVISIONS		
ISSUE	DATE	AUTH. NO.
1	9-28-60	CC-106
2	11-18-60	CC-182
3	12-20-61	69061
4	3-17-65	86933



APPROVALS	
D AND R	E OF M
E-NO.	
PROD. NO. 4 268 WD	
ACTUAL WIRING DIAGRAM FOR MODEL 28 PAGE PRINTER CABINET.	
LAC 204, 2/4 ARRANGED FOR A.C. APPLICATION ACC. GROUPS 255	
DATE: 6-1-60	
P.D. FILE NO. 13-A.65.219A	
DRAWN: A.D. CHKD: [Signature]	
ENGD: V.A.C. APPD: [Signature]	
TELETYPE CORPORATION	
4268WD	

157997 CABLE ASSEMBLY