

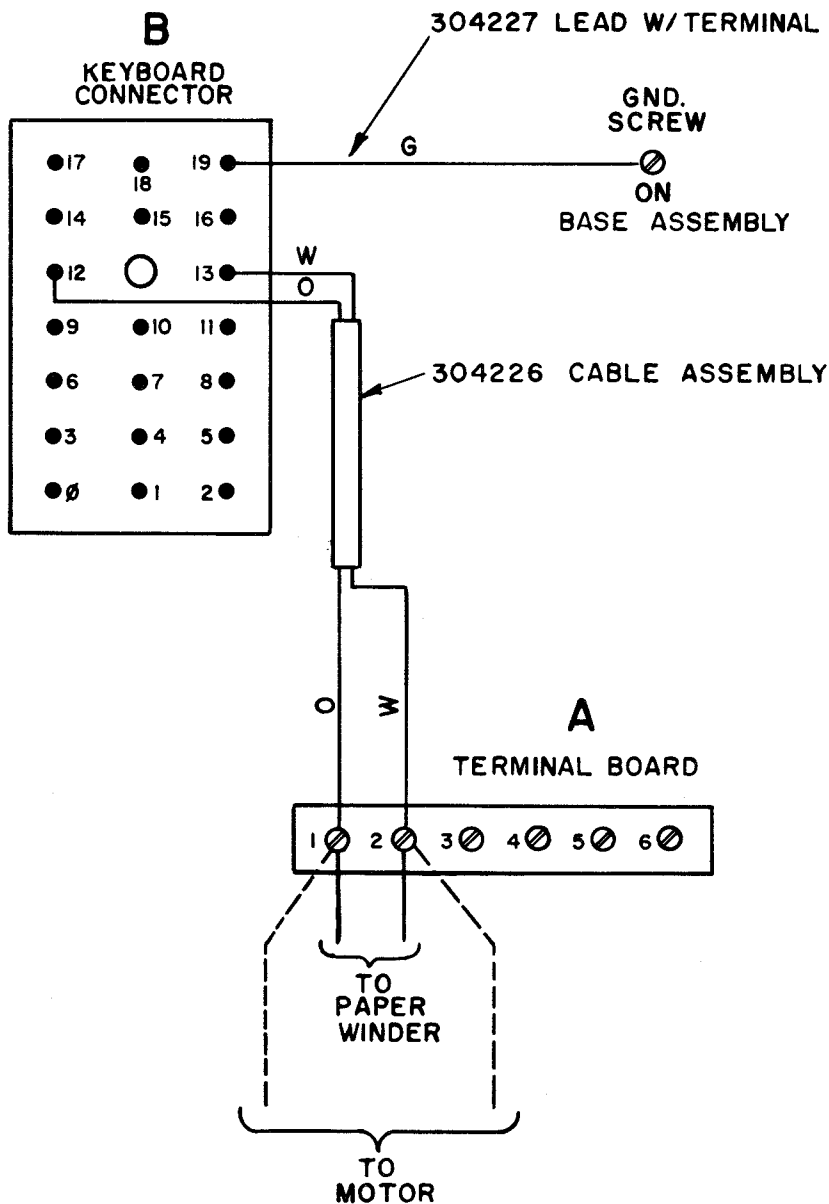
NOTES:  
 I. CONNECTOR VIEWED FROM SOLDER END.

DUPLICATE

7137 WD

REVISIONS

ISSUE	DATE	AUTH. NO.
2	2-11-65	86185



ACTUAL  
 WIRING DIAGRAM  
 FOR  
 BASE ASSEMBLY  
 304195

APPROVALS

D AND R: E OF M

*[Handwritten signatures]*

E-NUMBER

PROD. NO. 7137WD

DATE: 6-2-64

P.D. FILE NO. 42-A2/65AA

DRAWN. F.C.S. / M.K. CHKD.

ENG. P.P.P. APPD.

TELETYPE CORPORATION

7137 WD

ET-131451