

# POWER CIRCUIT

7469 WD

REVISIONS

ISSUE	DATE	AUTH. NO.
1	4-2-65	16855-R

SHEET 1 OF 3

SCHEMATIC  
WIRING DIAGRAM  
FOR  
ELECTRICAL  
SERVICE ASSEM.  
304203  
(ASR SET)

APPROVALS

R AND D E OF M

E-NUMBER

PROD. NO. 7469WD

DATE:

R. & D. FILE NO.

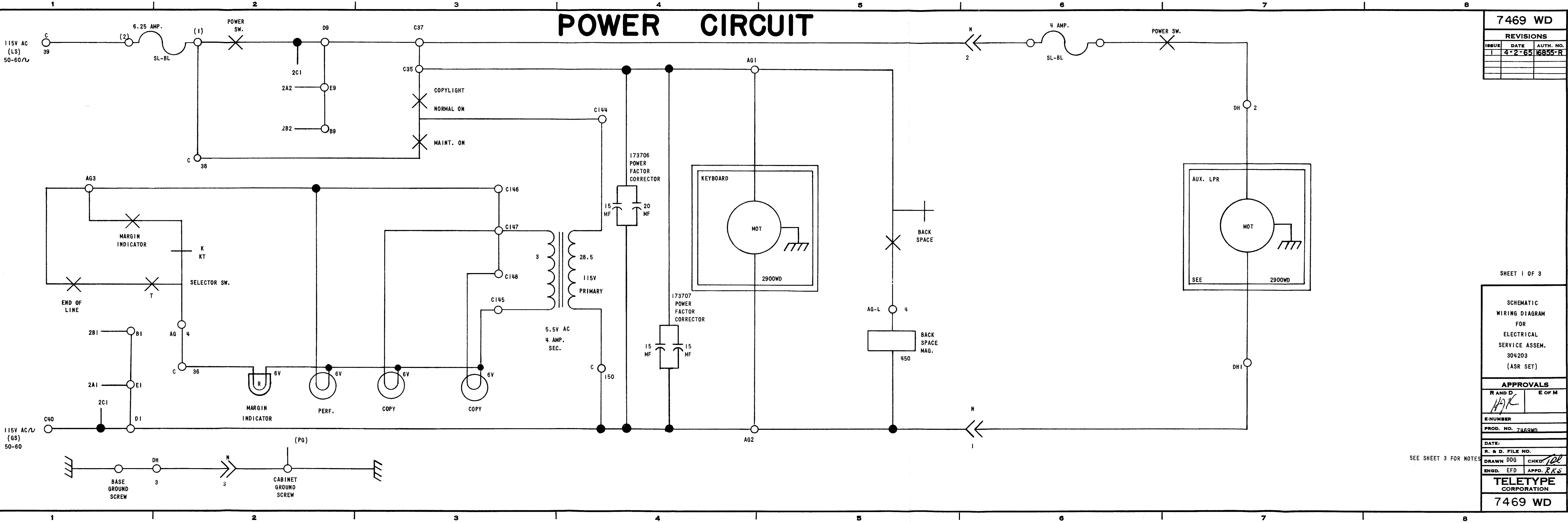
DRAWN DDG CHKD. *[Signature]*

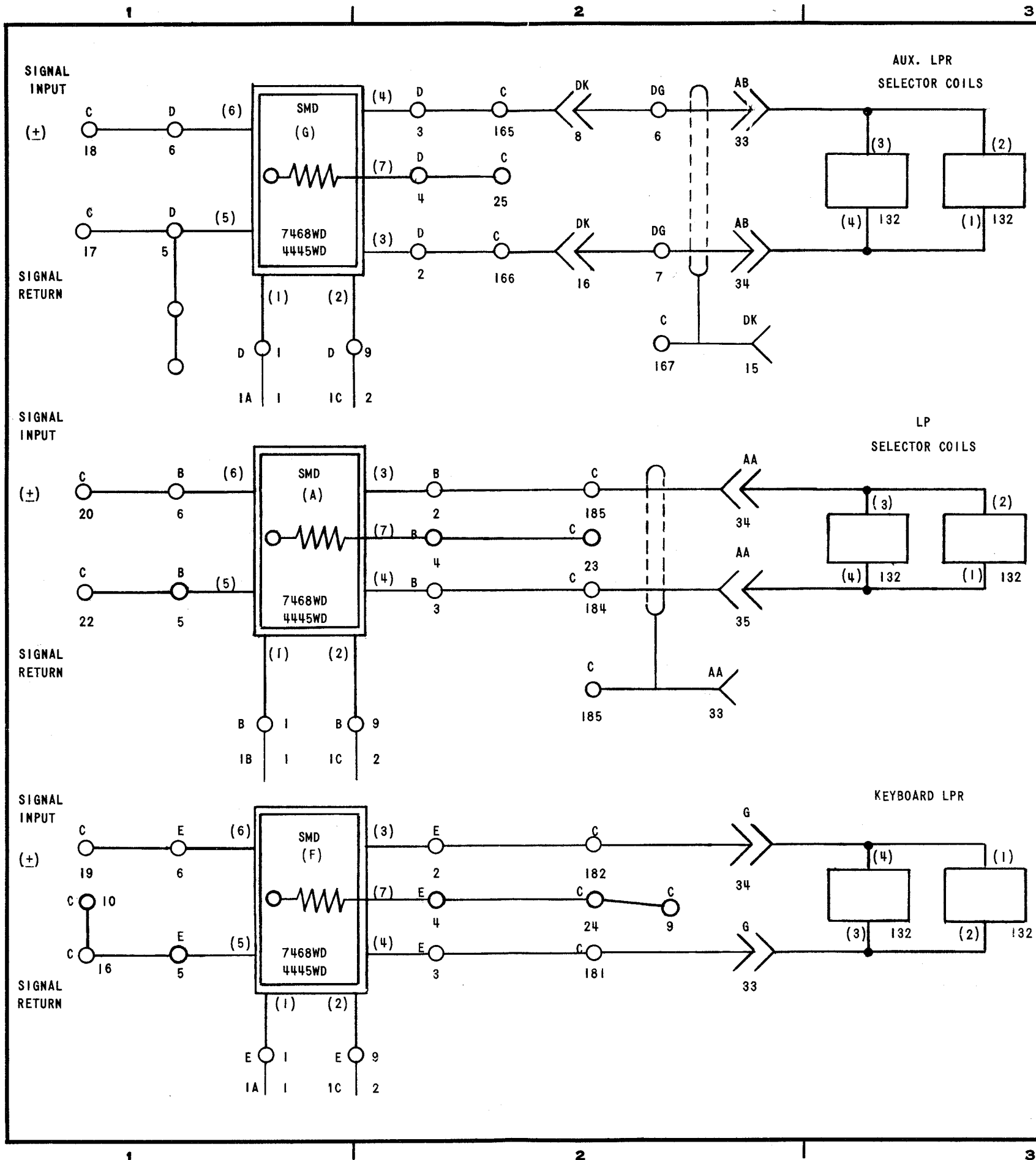
ENGD. EFD APPD. *[Signature]*

TELETYPE CORPORATION

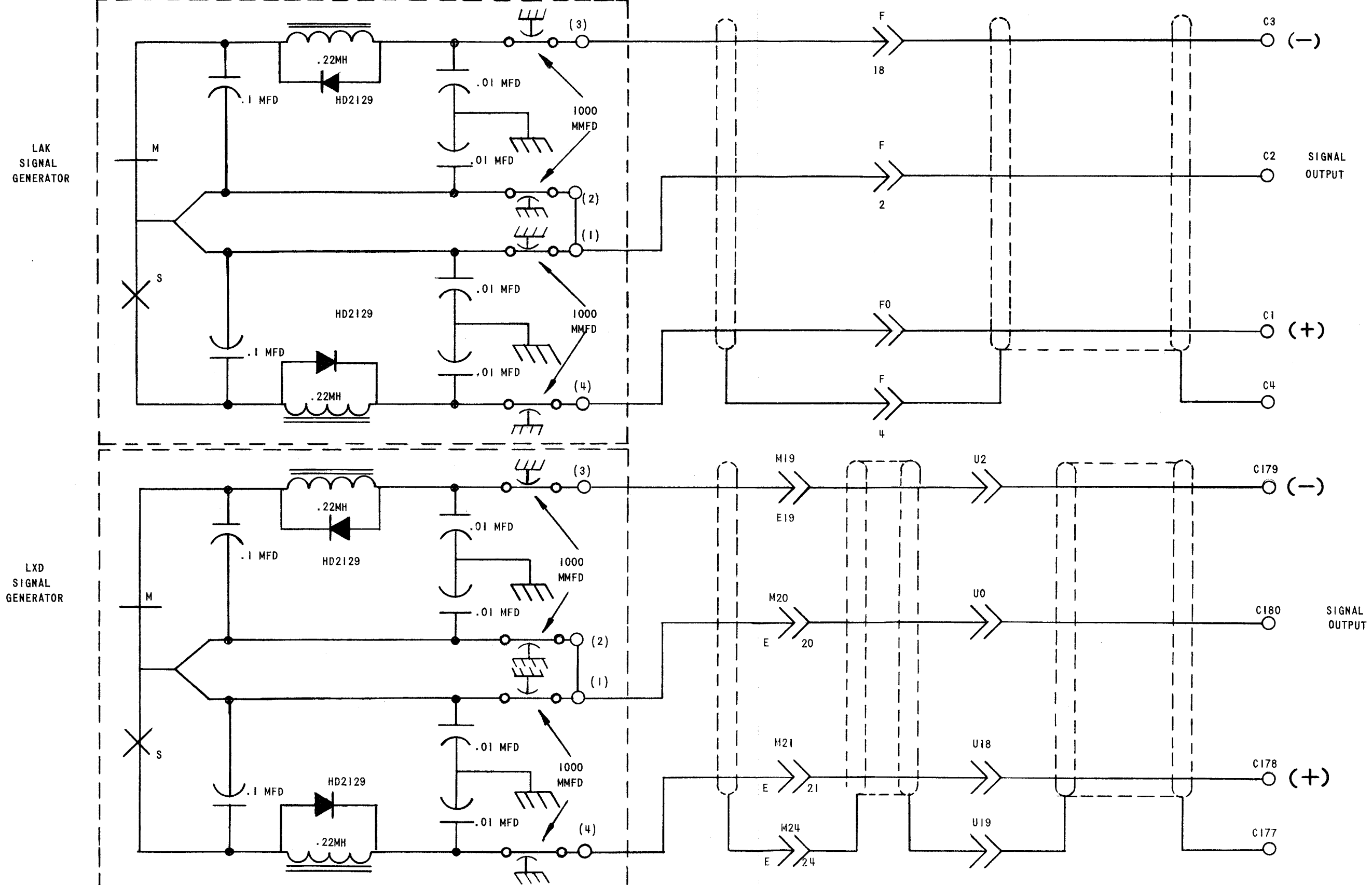
7469 WD

SEE SHEET 3 FOR NOTES





# SIGNAL CIRCUIT



7469 WD		
REVISIONS		
ISSUE	DATE	AUTH. NO.
1	4-2-65	16855-R

SHEET 2 OF 3

SCHEMATIC  
WIRING DIAGRAM  
ELECTRICAL  
SERVICE ASSEMBLY  
304203  
(ASR SET)

APPROVALS	
R AND D	E OF M
<i>AK</i>	
E-NUMBER	
PROD. NO. 7469WD	
DATE:	
R. & D. FILE NO. 42-A2/65AA	
DRAWN DDG	CHKD. <i>AK</i>
ENGD. EFD	APPD. <i>AK</i>

TELETYPE CORPORATION

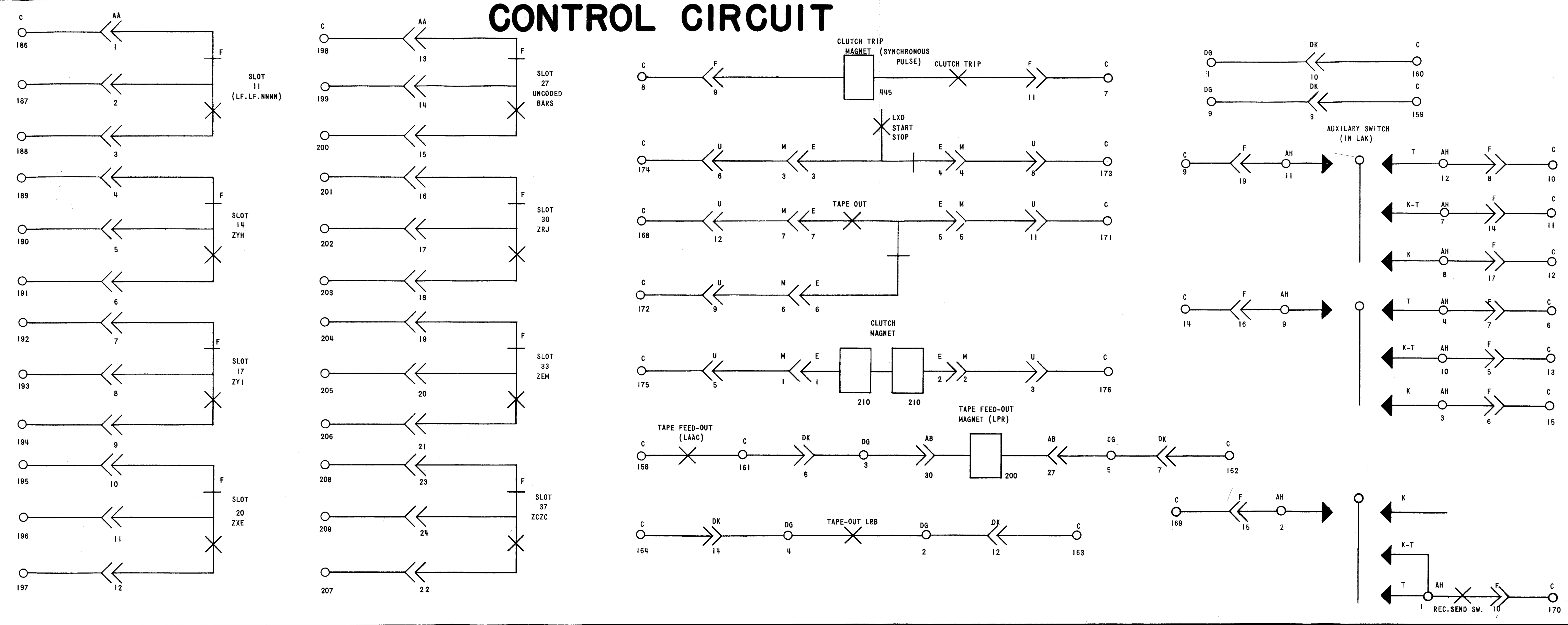
7469 WD

SEE SHEET 3 FOR NOTES

7469 WD		
REVISIONS		
ISSUE	DATE	AUTH. NO.
1	4-2-65	16855-R

# CONTROL CIRCUIT

1. ASSOCIATED WIRING DIAGRAMS:  
 4445WD SELECTOR MAGNET DRIVER  
 7468WD ELECTRICAL SERVICE ASSEMBLY  
 4267WD CABINET LAAC229  
 7094WD TRANSMITTER-DISTRIBUTOR LXD31  
 4265WD TRANSMITTER-DISTRIBUTOR BASE LCXB13  
 4266WD REPERFORATOR BASE LRB32  
 3628WD TYPING REPERFORATOR LPR35,36, & 57  
 2900WD MOTOR UNIT LMU11  
 7481WD TYPING UNIT.  
 4263WD KEYBOARD LAK
2. LEGEND:  
 ○ B SMD TERMINAL BLOCK IN LESU  
 ○ C CABINET TERMINAL BLOCK  
 ○ D SMD TERMINAL BLOCK IN LESU  
 ○ F SMD TERMINAL BLOCK IN LESU  
 ○ AG MOTOR TERMINAL BLOCK IN KEYBOARD  
 ○ AG-L LOWER POWER TERMINAL BLOCK IN KEYBOARD  
 ○ AH AUX. SWITCH TERMINAL BLOCK IN LAK  
 ○ DG SIGNAL TERMINAL BLOCK IN LRB  
 ○ DH POWER TERMINAL BLOCK IN LRB  
 ○ E&M TRANS. DIST. CONNECTOR  
 ○ F KEYBOARD CONNECTOR  
 ○ G KEYBOARD PERFORATOR  
 ○ M&E TRANS. DIST. CONNECTOR  
 ○ N AUX. REPERF. POWER CONNECTOR  
 ○ U TRANS. DIST. CONNECTOR BASE  
 ○ AA TYPING UNIT CONNECTOR  
 ○ AB AUX. REPERF. CONNECTOR  
 ○ DK AUX. REPERF. BASE
3. ALL APPARATUS SHOWN IN UNOPERATED OR DE-ENERGIZED POSITION.
4. RESISTANCE VALUES IN OHMS (Ω).  
 INDUCTANCE VALUES IN MICROHENRIES (MH).  
 CAPACITANCE, VALUES IN MICROFARADS (MFD)
5. USE SYNCHRONOUS MOTOR ON REGULATED 60M (± 1%) AC POWER ONLY, GOVERNED MOTOR AND OTHER POWER CIRCUITS OPERABLE ON 50-60 UNREGULATED AC.
6. POLARITY AS INDICATED MUST BE OBSERVED FOR PROPER R.F. FILTER OPERATION.
7. BACKSPACE SWITCH ON LAK33 ONLY, AND BACKSPACE MAGNET ON LPR57 ONLY.
8. ♂ INDICATES FEMALE AND ← INDICATES MALE.
9. SL-BL INDICATES SLOW-BLOWING FUSE.



SHEET 3 OF 3

SCHEMATIC WIRING DIAGRAM FOR ELECTRICAL SERVICE ASSEM. 304203 (ASR SET)

APPROVALS	
R AND D	E OF M
<i>[Signatures]</i>	
E-NUMBER	
PROD. NO. 7469WD	
DATE:	
R. & D. FILE NO. 42-A2/65AA	
DRAWN DDG	CHKD. <i>[Signature]</i>
ENGD. EFD	APPD. <i>[Signature]</i>
TELETYPE CORPORATION	
7469 WD	