

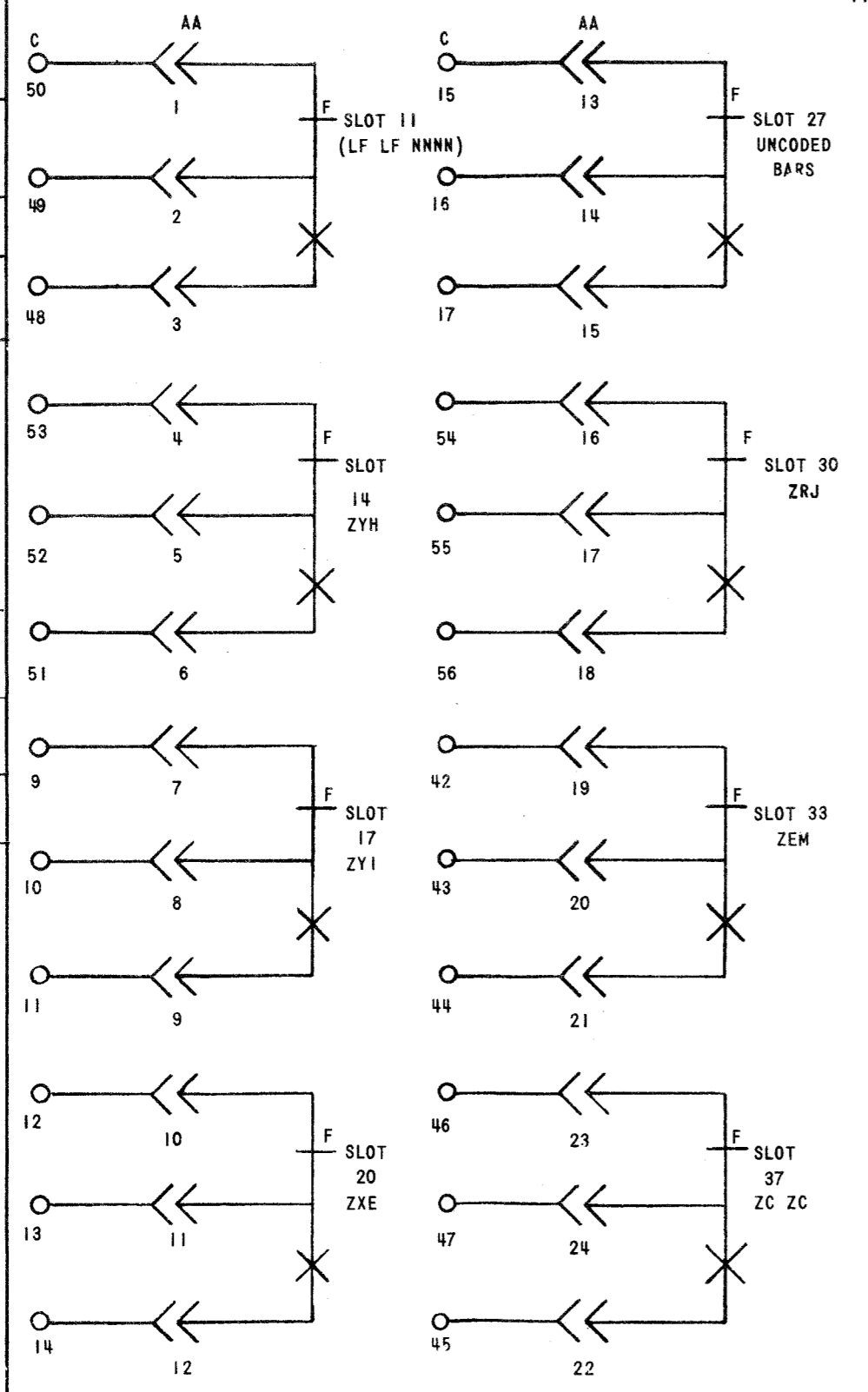
REVISIONS

ISSUE	DATE	AUTH. NO.
1	4-2-65	16855R

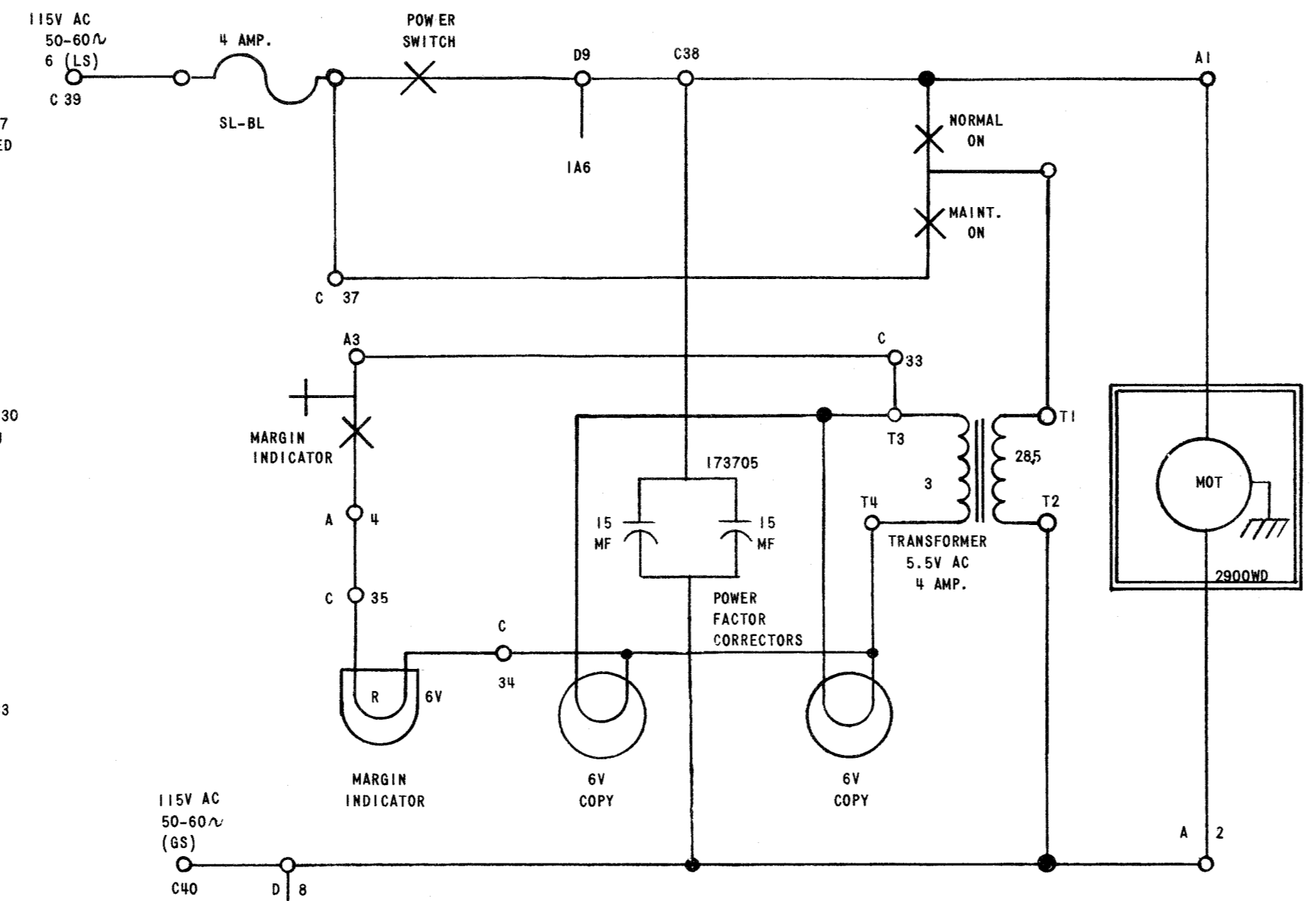
NOTES

- ASSOCIATED ACTUAL WIRING DIAGRAMS:
4445WD SELECTOR MAGNET DRIVER
7470WD ELECTRICAL SERVICE ASSEMBLY
4262WD KEYBOARD LK
2900WD MOTOR LMU
4268WD CABINET LAC
7481WD TYPING UNIT
- RESISTANCE VALUES IN OHMS (Ω)
INDUCTANCE VALUES IN MICROHENRIES MH
CAPACITANCE VALUES IN MICROFARADS MFD
- SL-BL SLOW BLOWING FUSE.
- INDICATES FEMALE AND
INDICATES MALE
- LEGEND:
○ A KEYBOARD TERMINAL
○ C CABINET TERMINAL
○ D SMD TERMINAL
○ T TRANSFORMER TERMINAL
≡≡≡ F KEYBOARD CONNECTOR
≡≡≡ AA PRINTER CONNECTOR
- USE SYNCHRONOUS MOTOR ON REGULATED 60 (+1%) AC POWER ONLY, GOVERNED MOTOR AND OTHER POWER CIRCUITS OPERABLE ON 50-60 UNREGULATED AC.
- ALL APPARATUS SHOWN IN UNOPERATED OR DE-ENERGIZED POSITION.
- POLARITY AS INDICATED MUST BE OBSERVED FOR PROPER R.F. FILTER OPERATION.

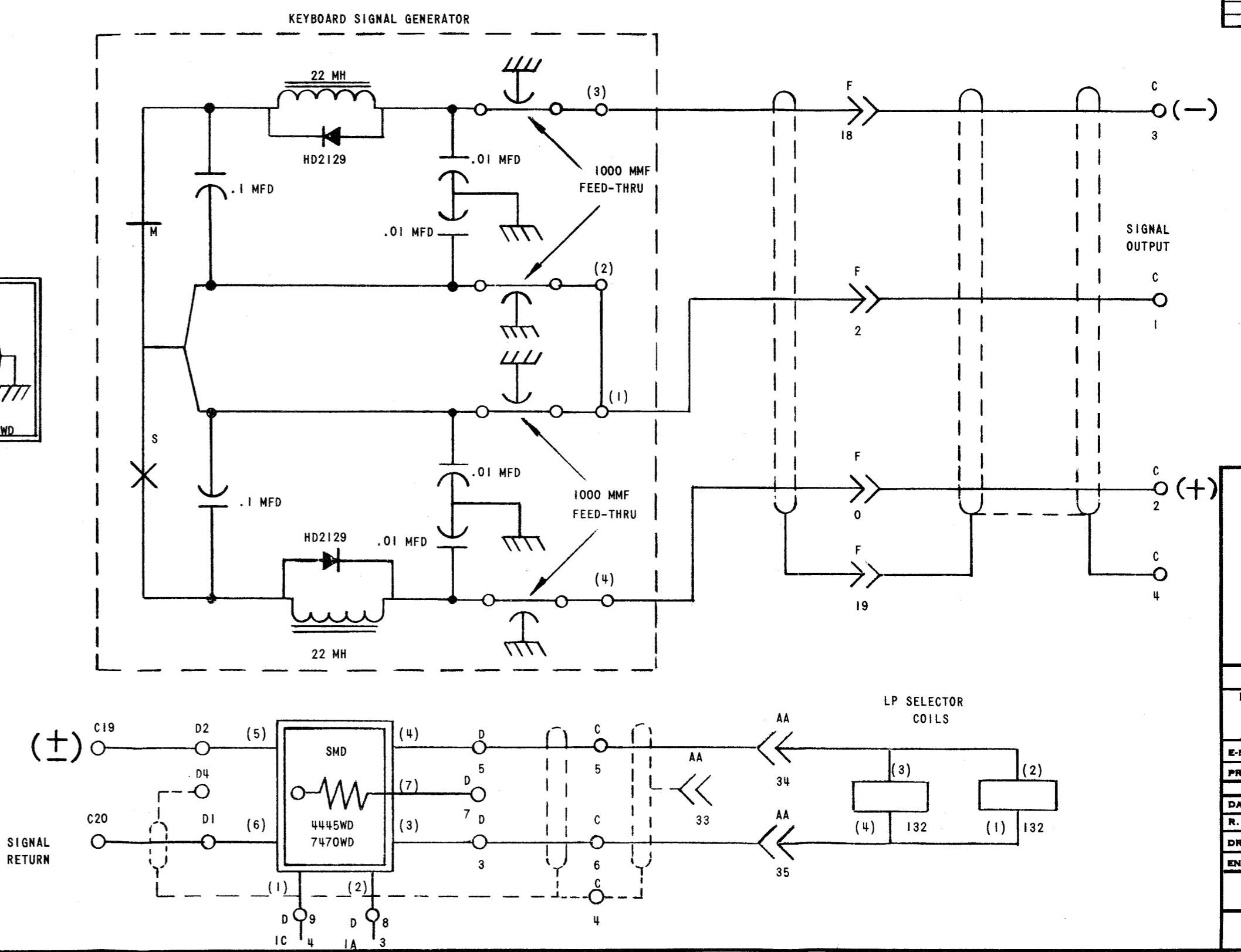
CONTROL CIRCUIT



POWER CIRCUIT



SIGNAL CIRCUIT



SCHEMATIC
WIRING DIAGRAM
FOR
ELECTRICAL
SERVICE ASSEMBLY
304206
(KSR SET)

APPROVALS

R AND D E OF M

E-NUMBER

PROD. NO. 7471WD

DATE:

R. & D. FILE NO. 42-A2 685A

DRAWN DDG CHKD. JEL

ENGD. FED APPD. RRS

TELETYPE
CORPORATION