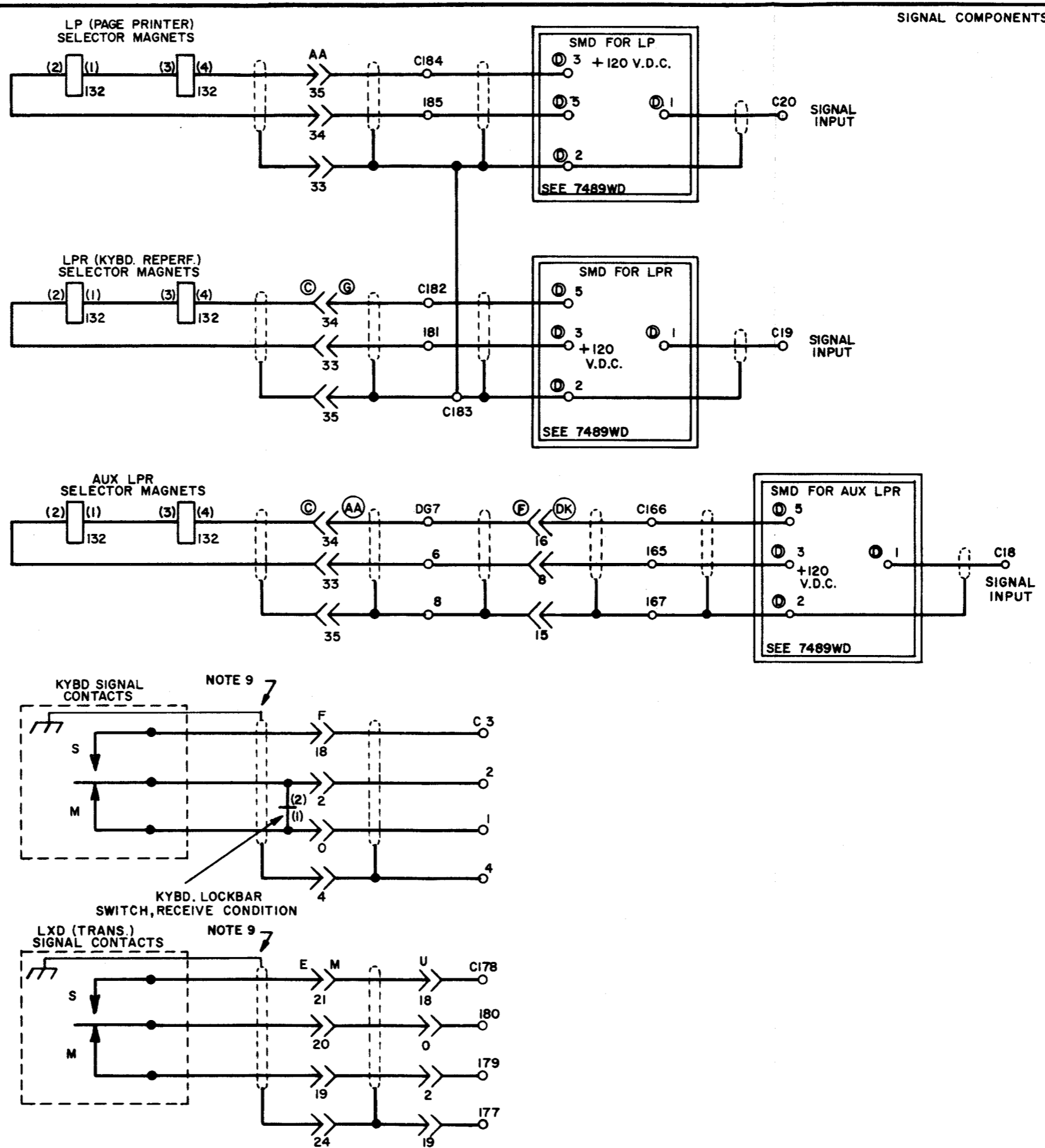


NO.	NOTES	NO.	NOTES
1.	FOR ACTUAL WIRING DIAGRAMS OF UNITS SHOWN ON THIS SCHEMATIC, REFER TO: 2900WD MOTORS LMU3, LMUI2 4196WD PAGE PRINTER LP77/AGM 4263WD KEYBOARD LAK45 4264WD TRANSMITTER LXD29 4265WD TRANS. BASE LCXB13 4266WD AUX. REPERF. BASE LRB32 4267WD CABINET LAAC229 4350WD KEYBOARD REPERF. TO CABINET WIRING REPERF. LPR35 7488WD SELECTOR MAGNET DRIVER 7537WD ELEC. SERVICE ASSEM. 310183 4286WD P.F. CORR. LMU3 4287WD P.F. CORR. LMUI2	5.	LEGEND FOR CONNECTORS: (M-MALE, F-FEMALE) AA LP (M & F) (AA) AUX LPR (M) (G) KYBD LPR (M) (C) AUX AND KYBD LPR (F) F KYBD (M & F) (F) LRB (M) (DK) LRB (F) E LXD (M) M LXD (F) (M) LRB (F) (N) LRB (M) U LCXB (M & F)
2.	ALL APPARATUS SHOWN IN UNOPERATED OR DE-ENERGIZED POSITION.		LEGEND FOR TERMINAL BLOCKS: D SERVICE ASSEMBLY (D) SELECTOR MAGNET DRIVER C CABINET DG LRB SEE ALSO SHEET 2.
3.	RESISTANCE SHOWN IN OHMS, CAPACITANCE IN MICRO-FARADS, INDUCTANCE IN MILLIHENRIES, UNLESS OTHERWISE SPECIFIED.		
4.	LEGEND FOR SYMBOLS: → MALE CONNECTOR ← FEMALE CONNECTOR ✕ NORMALLY OPEN CONTACT OR SWITCH ✕ TRANSFER CONTACT NORMALLY CLOSED SIDE ○ SHIELDED WIRE(S) AA ← ← ← MULTIPLE CONNECTOR ← ← ← CHASSIS GROUND	6.	TERMINAL DESIGNATIONS ENCLOSED IN PARENTHESES ARE FOR REFERENCE AND ARE NOT MARKED ON COMPONENT.
		7.	SL-BL INDICATES SLOW BLOWING FUSE.
		8.	ALL SELECTOR MAGNETS SHOWN FOR .020 TO .030 AMPERE OPERATION.
		9.	RETURN SIDE OF SIGNAL LINE AND SELECTOR WIRES PLUS SIGNAL AND SELECTOR SHIELDS ARE CONNECTED TO MINUS OF D.C. POWER SUPPLY. DISCONNECT SHIELD GROUND AT SIGNAL CONTACT BOXES IF CONNECTION BETWEEN SIGNAL COMMON AND A.C. PROTECTIVE GROUND IS NOT DESIRED.

NO.	NOTES
5.	LEGEND FOR CONNECTORS: (M-MALE, F-FEMALE) AA LP (M & F) (AA) AUX LPR (M) (G) KYBD LPR (M) (C) AUX AND KYBD LPR (F) F KYBD (M & F) (F) LRB (M) (DK) LRB (F) E LXD (M) M LXD (F) (M) LRB (F) (N) LRB (M) U LCXB (M & F)
6.	TERMINAL DESIGNATIONS ENCLOSED IN PARENTHESES ARE FOR REFERENCE AND ARE NOT MARKED ON COMPONENT.
7.	SL-BL INDICATES SLOW BLOWING FUSE.
8.	ALL SELECTOR MAGNETS SHOWN FOR .020 TO .030 AMPERE OPERATION.
9.	RETURN SIDE OF SIGNAL LINE AND SELECTOR WIRES PLUS SIGNAL AND SELECTOR SHIELDS ARE CONNECTED TO MINUS OF D.C. POWER SUPPLY. DISCONNECT SHIELD GROUND AT SIGNAL CONTACT BOXES IF CONNECTION BETWEEN SIGNAL COMMON AND A.C. PROTECTIVE GROUND IS NOT DESIRED.



SIGNAL COMPONENTS

7538 WD

ISSUE	DATE	AUTH. NO.
1	1-9-65	16362-R
2	4-30-65	86734

SHEET 1 OF 3

SCHEMATIC WIRING DIAGRAM FOR MODEL 28 ASR SET

APPROVALS

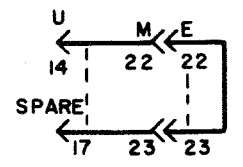
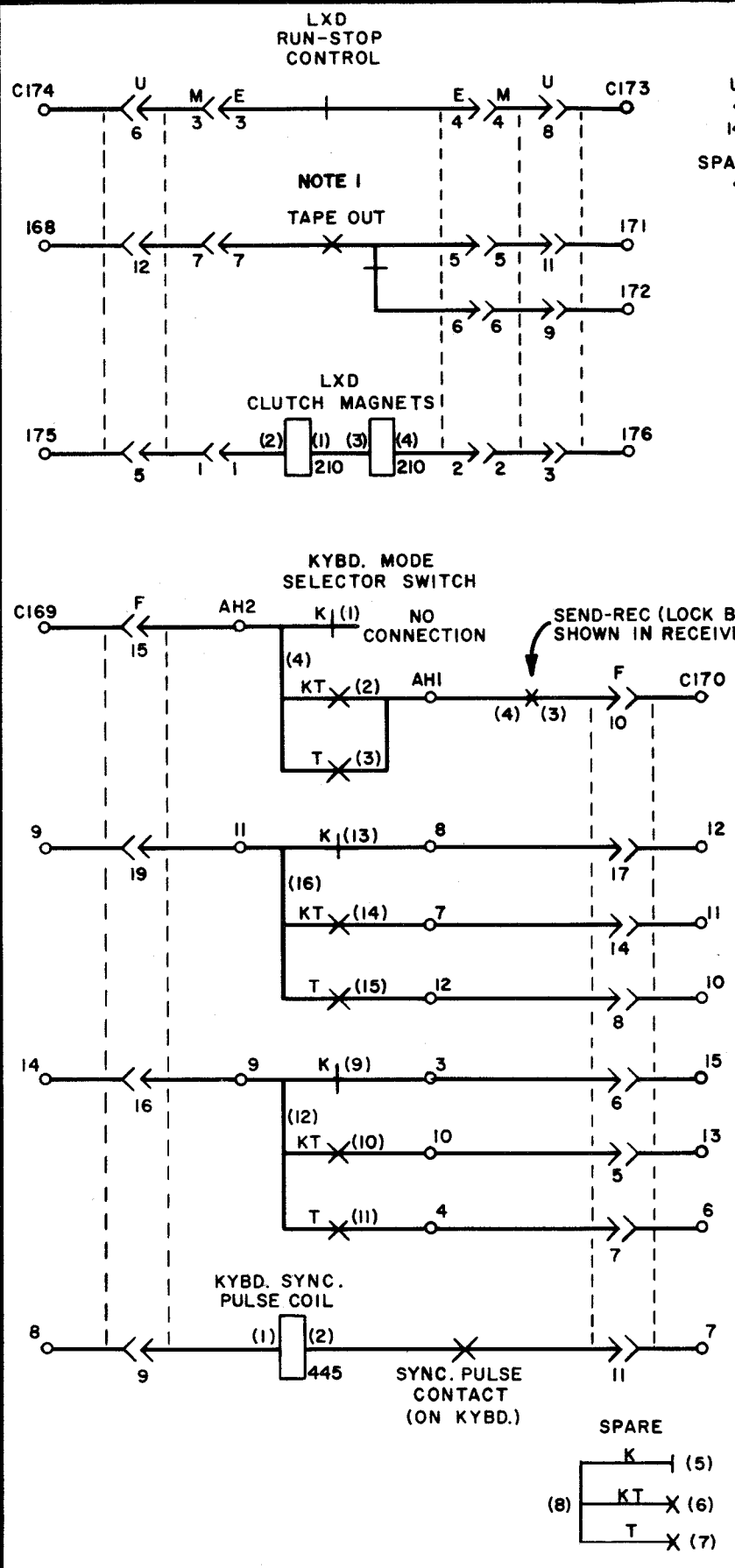
D AND R	E OF M
E-NUMBER	
PROD. NO. 7538WD	
DATE: 11-2-64	
P.D. FILE NO. N-8-G	
DRAWN. WPH	CHKD.
ENGD. BPK	APPD.

TELETYPE CORPORATION

7538 WD

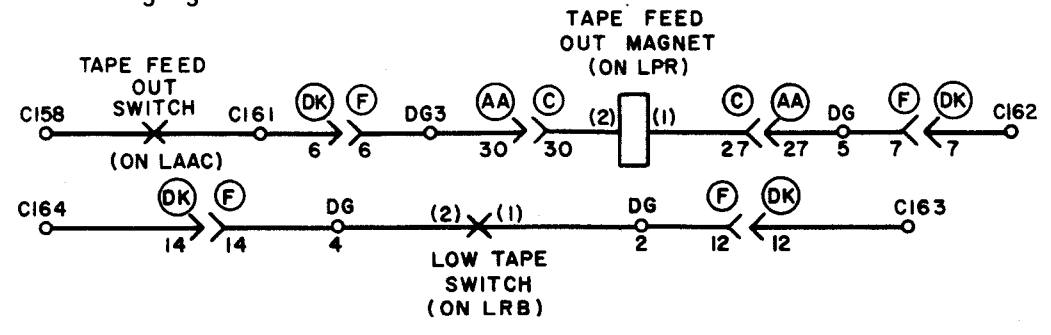
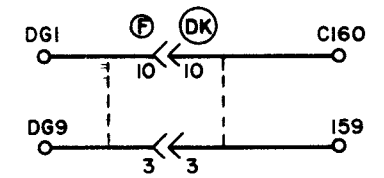
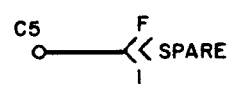
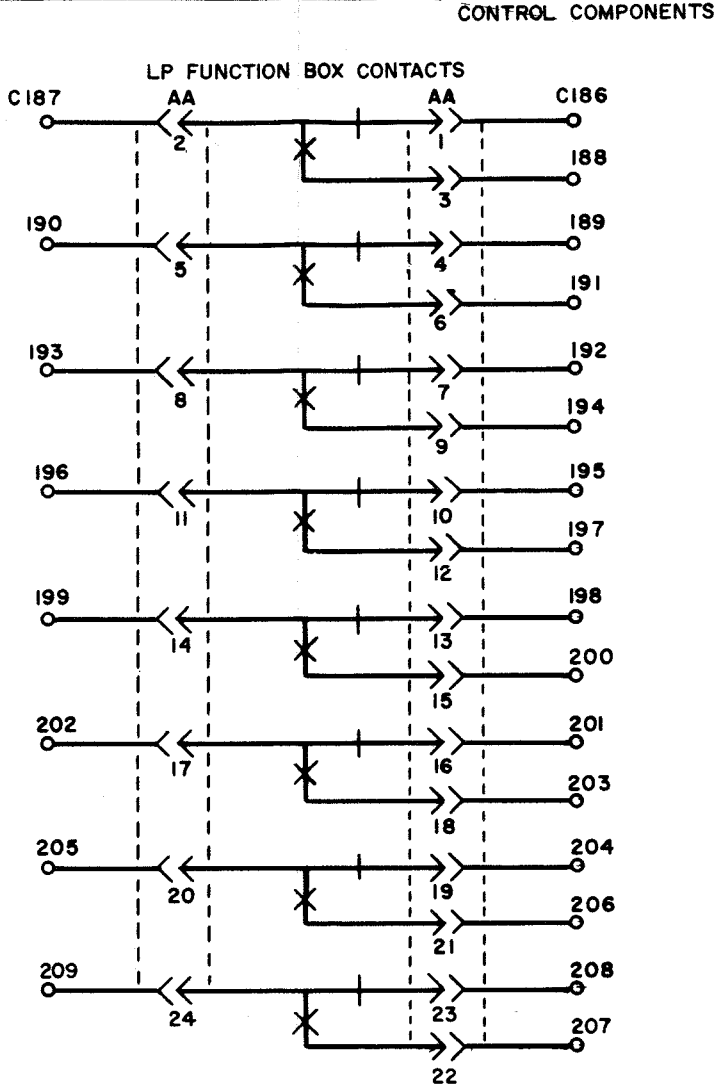
NO. NOTES:

1. TRANSMITTER (LXD) RUN-STOP AND TAPE OUT CONTROLS SHOWN IN RUN CONDITION WITH TAPE IN HEAD.



OPERATING SEQUENCE

LF, LF, NNNN
ZYH
ZYI
ZYE
X CRITIC
ZRJ
ZEM
ZC, ZC



CONTROL COMPONENTS

7538 WD

ISSUE	DATE	AUTH. NO.
1	1-9-65	16362-R
2	4-30-65	86734

SHEET 2 OF 3

SCHEMATIC WIRING DIAGRAM FOR MODEL 28 ASR SET

APPROVALS

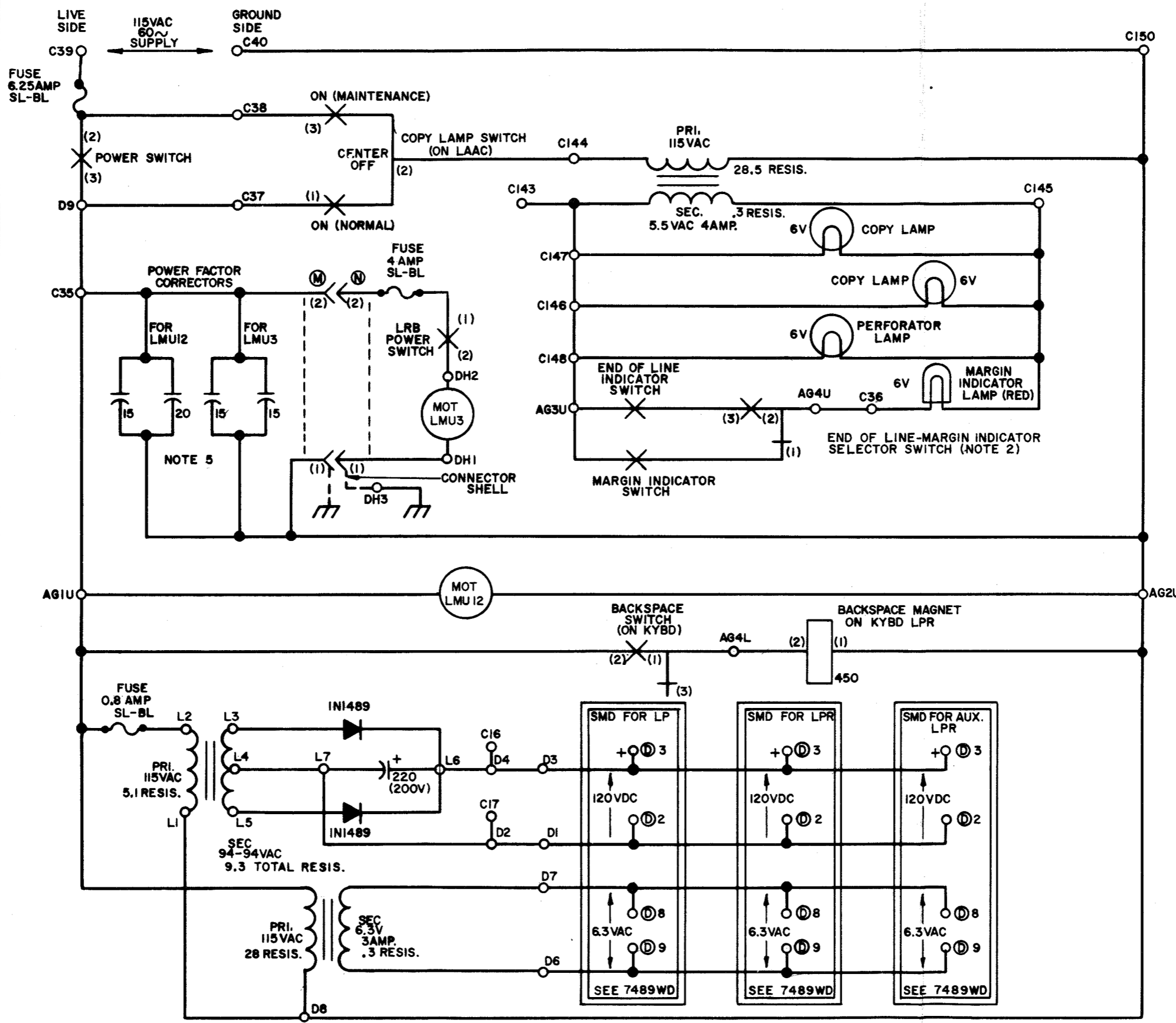
D AND R	E OF M
<i>O.A.L.</i>	<i>[Signature]</i>
E-NUMBER	
PROD. NO. 7538WD	
DATE: 11-3-64	
P.D. FILE NO. N-8-G	
DRAWN J.J.A.	CHKD. R.D.J.
ENGD. B.P.K.	APPD. <i>[Signature]</i>

TELETYPE CORPORATION

7538 WD

ISSUE	DATE	AUTH. NO.
1	1-9-65	16362-R

- NO. NOTES**
- SEE SHEET 1 FOR GENERAL NOTES.
 - END OF LINE-MARGIN INDICATOR SELECTOR SWITCH SHOWN WHEN K-KT-T SWITCH IS IN K OR KT POSITION. SELECTOR SWITCH IS IN OPPOSITE CONDITION TO THAT SHOWN IN T POSITION. (MECHANICALLY LINKED TO K-KT-T SWITCH).
 - USE SYNCHRONOUS MOTOR ON REGULATED 60 CYCLE (±1%) A.C. POWER ONLY.
 - LEGEND - SAME AS SHEET 1 PLUS THE FOLLOWING:
 AG L KYBD. LOWER TERMINAL BLOCK.
 AG U KYBD. UPPER TERMINAL BLOCK.
 NOTE: KYBD. TERMINAL BLOCKS ARE DESIGNATED "A" ON SOME ASSOCIATED ACTUAL WIRING DIAGRAMS.
 DG LRB UPPER TERMINAL BLOCK.
 DH LRB LOWER TERMINAL BLOCK.
 L RECTIFIER TERMINAL LUGS.
 - CAPACITOR RATINGS: 330 V. A. C.



SCHEMATIC WIRING DIAGRAM FOR MODEL 28 ASR SET

APPROVALS

D AND R E OF M
O.A.L. *H.K.*

E-NUMBER

PROD. NO. 7538WD

DATE: 11-5-64

P.D. FILE NO. N-8-G

DRAWN. WPH CHKD. *REB*

ENGD. BPK APPD. *O.A.L.*

TELETYPE CORPORATION