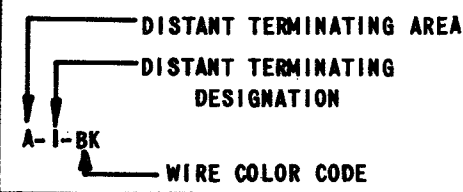
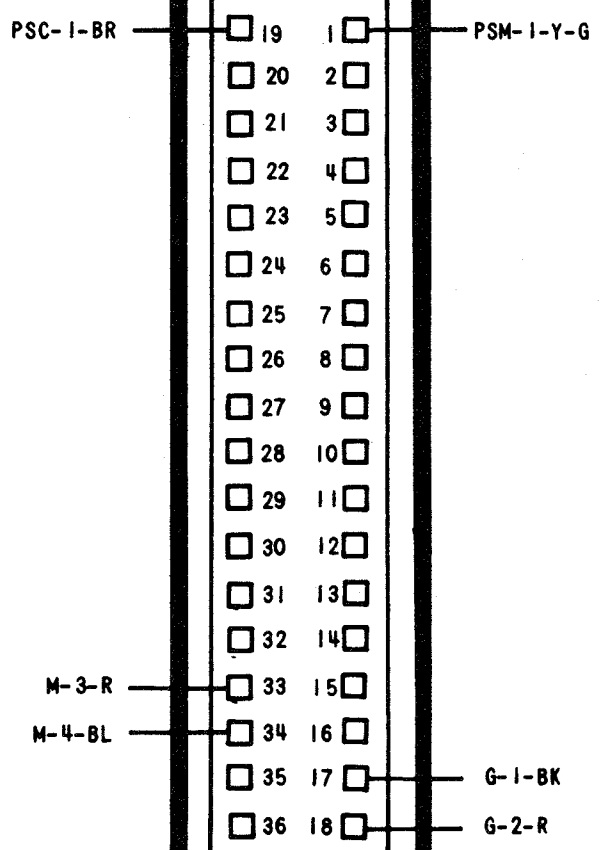
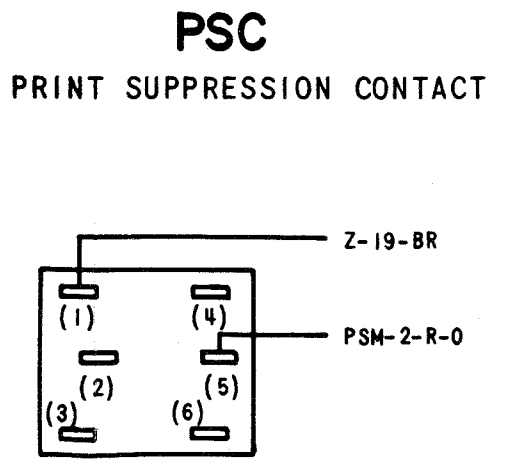
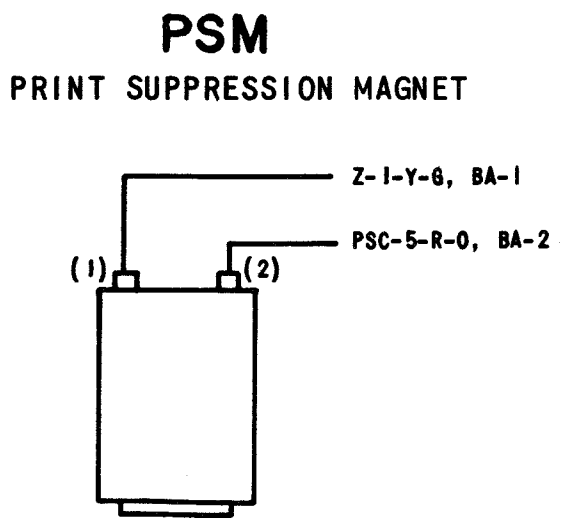
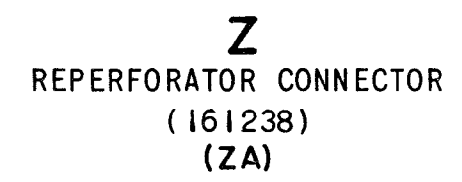
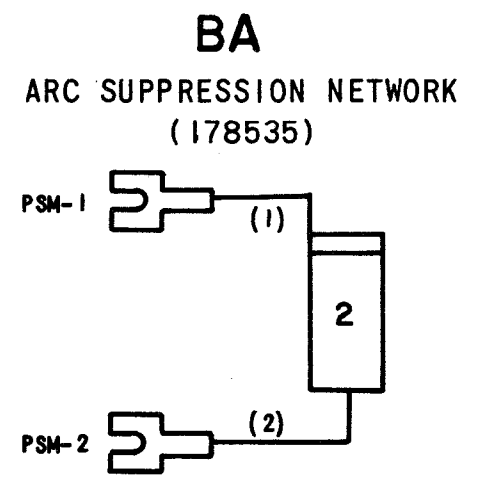
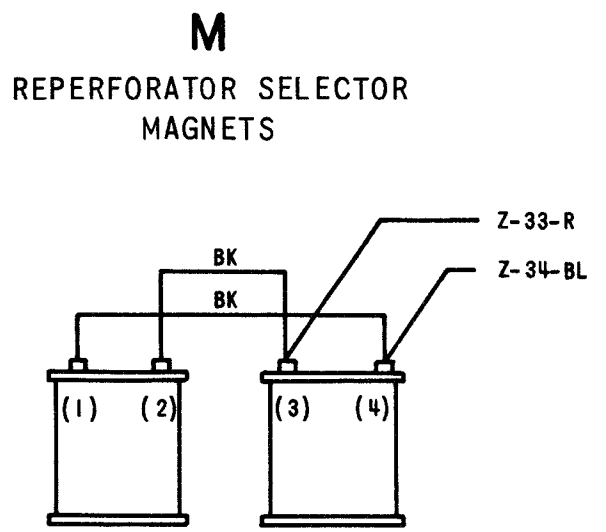
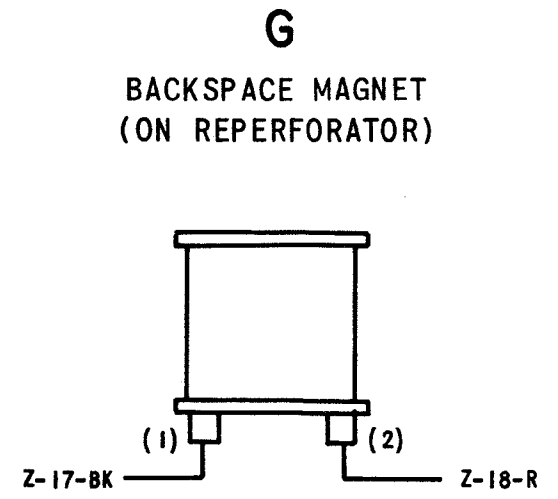


- NO. NOTES**
- 1. WIRING LEGEND:**

 - 2. WIRE COLOR CODE:**

BK - BLACK	R - RED
BL - BLUE	O - ORANGE
BR - BROWN	Y - YELLOW
W - WHITE	P - PURPLE
S - SLATE	G - GREEN
 - 3. CONNECTOR VIEWED FROM WIRING SIDE.**
 - 4. * ASTERISK DENOTES 18 GA. WIRE.**
 - 5. NUMBERS IN PARENTHESES ARE NOT MARKED ON COMPONENTS.**
 - 6. REFERENCE SPEC. FOR TELETYPE CORPORATION EMPLOYEES ONLY: 6934S & 60,699S**
 - 7. ASSOCIATED SCHEMATIC - 7994WD**
 - 8. ASSOCIATED CABLES:**
 162207 CABLE ASSEMBLY (BACKSPACE)
 162064 CABLE ASSEMBLY (SEL. MAG.)
 193756 CABLE ASSEMBLY (PRINT SUPPRESSION)

7993 WD		
REVISIONS		
ISSUE	DATE	AUTH. NO.
1	10-3-66	17805-R
2	12-5-66	92544



ACTUAL
WIRING DIAGRAM
FOR
MODEL 35
TYPING REPERFORATOR
LPR809

APPROVALS

D AND R	E OF M
<i>HJK</i>	<i>[Signature]</i>

E NUMBER
PROD NO. 7993WD

DATE 12-29-65
P.O. FILE NO 2-35.151AA

DRAWND. D.G. CHKD. *TOL*
ENGD. R.L.W. APPD. *RRS*

TELETYPE CORPORATION