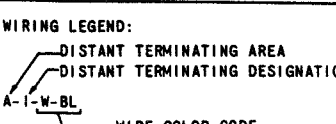


NO.	NOTES						
1.	WIRING LEGEND: 						
2.	COLOR CODE: BK - BLACK BR - BROWN BL - BLUE R - RED Y - YELLOW P - PURPLE W - WHITE S - SLATE O - ORANGE G - GREEN						
3.	UNIT WIRED FOR 117 VOLTS. 50 TO 60 CYCLE AC POWER INPUT ONLY.						
4.	CONNECTORS VIEWED FROM SOLDERED TERMINAL ENDS.						
5.	CIRCUITS SHOWN FOR .060 AMP. NEUTRAL SIGNAL LINE OPERATION. FOR .020 AMP. OPERATION REMOVE AND ADD CONNECTIONS AS TABULATED BELOW. <table border="1" data-bbox="106 715 457 786"> <thead> <tr> <th>SIG. LINE CURRENT</th> <th>CONNECTION REMOVED</th> <th>CONNECTIONS ADDED</th> </tr> </thead> <tbody> <tr> <td>.020 AMP.</td> <td>K1-K2</td> <td></td> </tr> </tbody> </table> FOR .020 AMP. OPERATION OF SELECTOR MAGNET DRIVER, REFER TO 4445WD.	SIG. LINE CURRENT	CONNECTION REMOVED	CONNECTIONS ADDED	.020 AMP.	K1-K2	
SIG. LINE CURRENT	CONNECTION REMOVED	CONNECTIONS ADDED					
.020 AMP.	K1-K2						
6.	RECTIFIER SHOWN CONTROLLED BY POWER SWITCH. FOR CONTINUOUS OPERATION, REMOVE LEAD L-10-BK FROM TERMINAL E-2 AND CONNECT TO TERMINAL E-1.						
7.	LINE SHUNT RELAY SHOWN CONTROLLED BY POWER SWITCH AND SHUNTING LINE RELAY COIL AND KEYBOARD AND TRANSMITTER DISTRIBUTOR SIGNAL GENERATOR.						
8.	THE SPARE LEADS FROM THE TRANSMITTER DISTRIBUTOR UNIT CONNECTOR PLUG ARE TERMINATED IN THE RIGHT END OF THE ELECTRICAL SERVICE UNIT. THE SPARE LEADS FROM THE TYPING UNIT PLUG ARE TERMINATED IN THE LEFT END OF THE ELECTRICAL SERVICE UNIT.						
9.	ADD STRAP BETWEEN C10 & C11 IF SIGNAL LINE BREAK SWITCH IS NOT USED.						
10.	SPARE LEAD FROM U18 IS RESERVED FOR POLAR OPERATION OF KEYBOARD AND TRANSMITTER DISTRIBUTOR SIGNAL GENERATORS.						
11.	TERMINALS C143 TO C148 RESERVED FOR CABINET LAMP OPERATION.						
12.	TERMINALS C1 TO C3 RESERVED FOR CUSTOMER USE.						
13.	TERMINALS C121 - C122 RESERVED FOR PERFORATOR LO-TAPE SWITCH.						
14.	CONTACTS SHOWN IN UNOPERATED OR DE-ENERGIZED POSITION.						

15. SYNC PULSE CURRENT SHOWN SUPPLIED FROM SET RECTIFIER. TO PULSE SET EXTERNALLY REMOVE STRAPS AND CONNECT EXTERNAL SOURCE IN ACCORDANCE WITH INSTALLATION REQUIREMENTS:
 C124 - C131 C21 - C131
 C125 - C142 C22 - C142

16. FOR SCHEMATIC WIRING DIAGRAM SEE 7016WD.

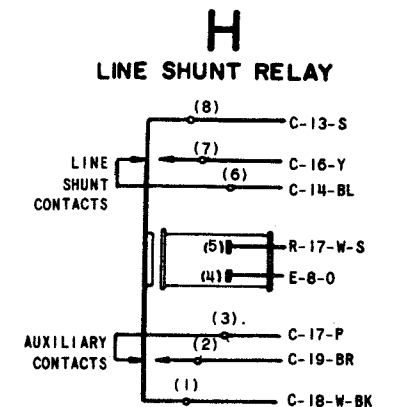
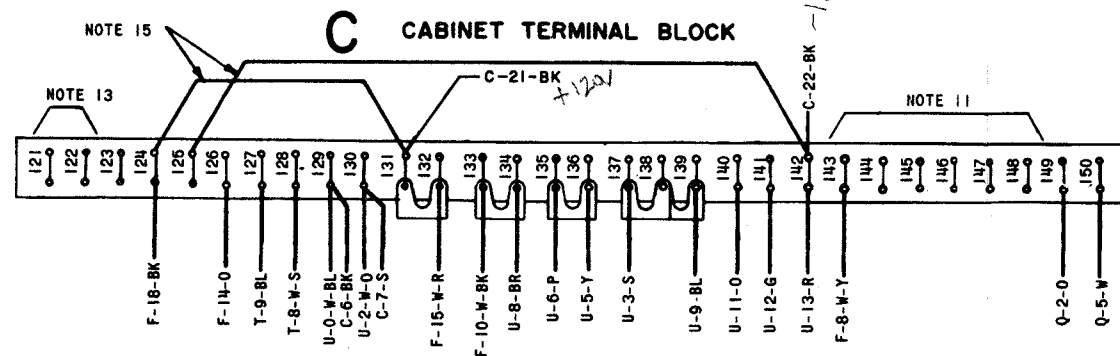
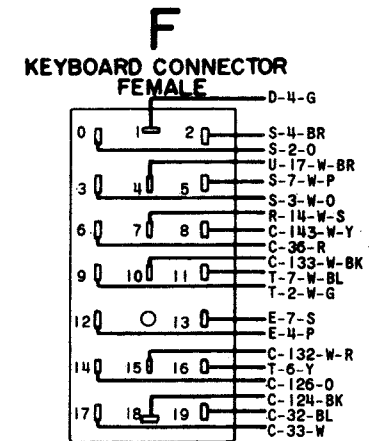
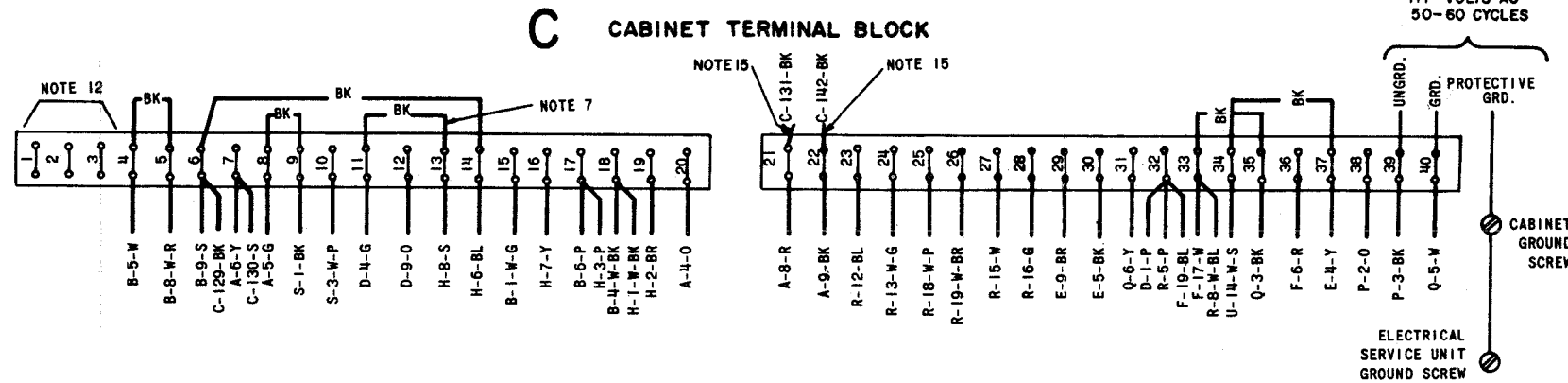
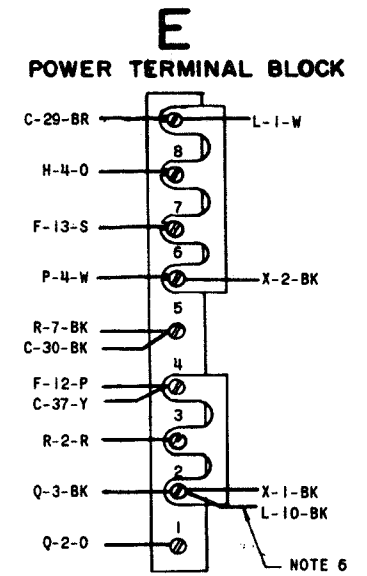
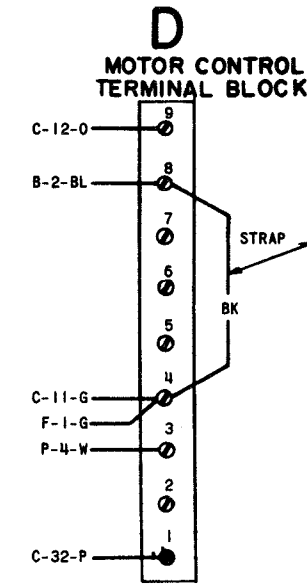
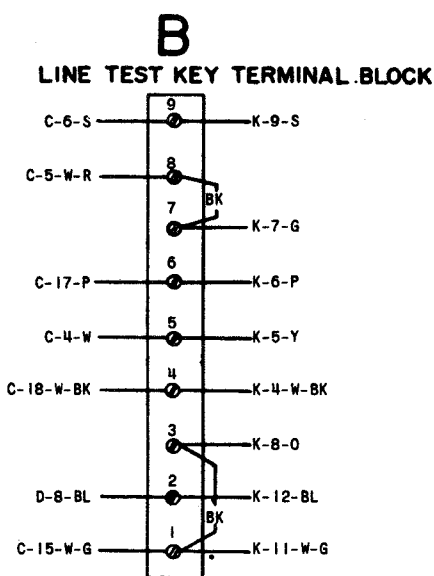
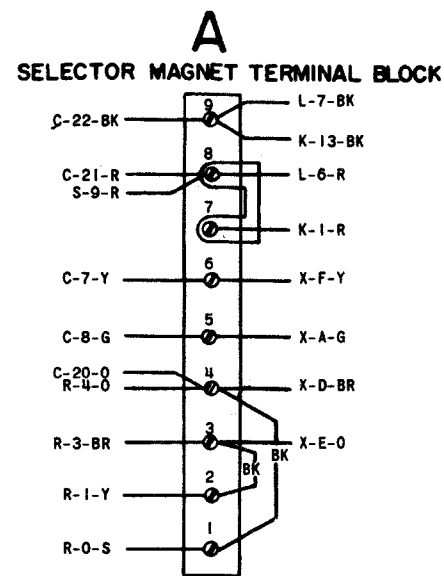


Figure 5-19. LESU III Electrical Service Unit Wiring Diagram (Sheet 1 of 2)

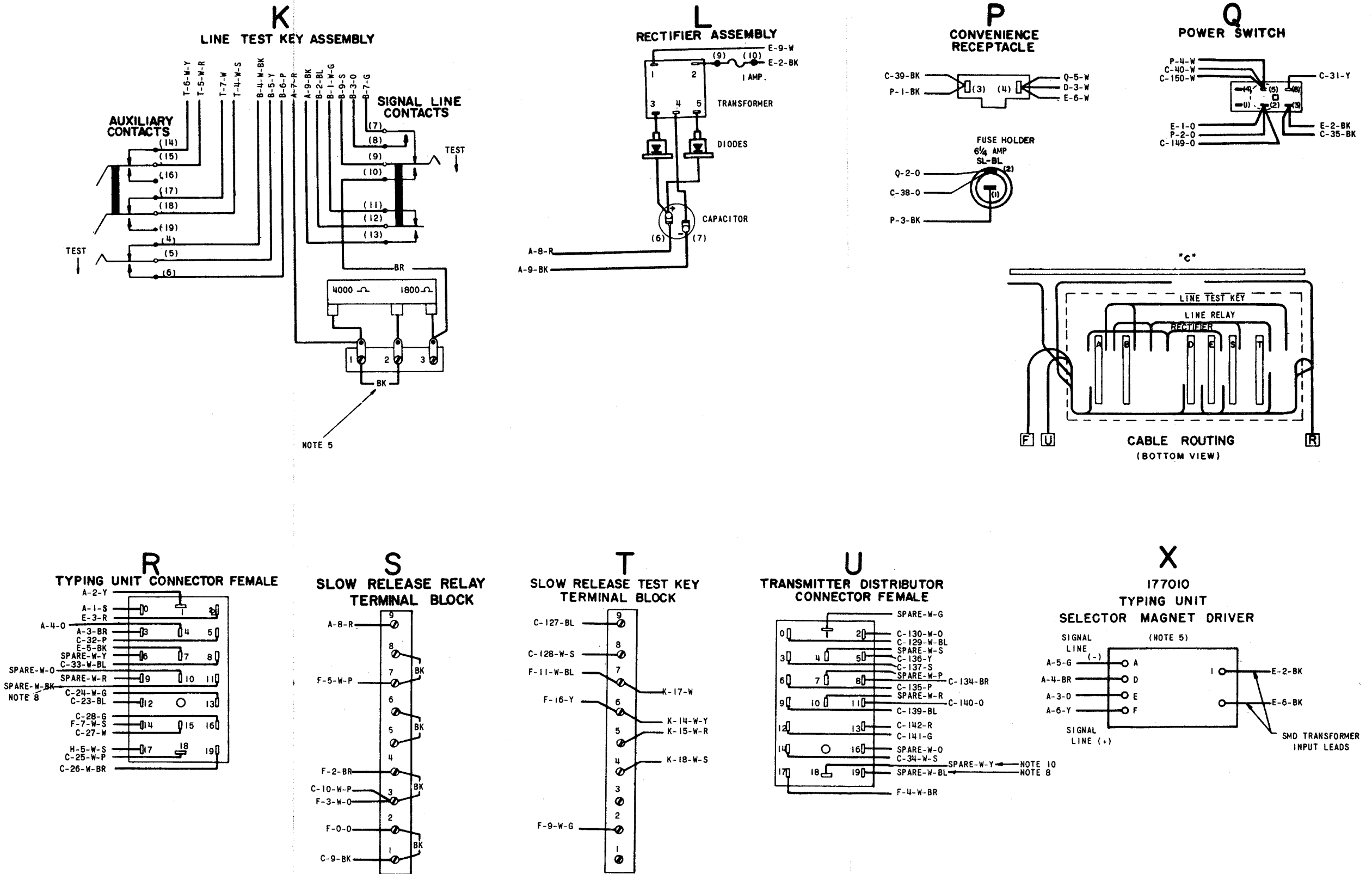


Figure 5-19. LESU III Electrical Service Unit Wiring Diagram (Sheet 2 of 2)

- NOTES**
- FOR ACTUAL WIRING DIAGRAMS OF INDIVIDUAL UNITS SEE:
- | HD. NO. | UNIT |
|---------|-----------------------------|
| 3264MD | CABINET-LA200 |
| 7015MD | ELECT. SERVICE UNIT-LESU111 |
| 6454MD | KEYBOARD-LA42 |
| 2900MD | MOTOR UNIT-LMU12 |
| 3214MD | PAGE TYPING UNIT-LP14 |
| 3300MD | TRANS. DIST.-LX03 |
- LEGEND:**
- A SEL. MAG. TERM. BLOCK (IN LESU)
 - B LINE TEST KEY TERM. BLOCK (IN LESU)
 - C CABINET TERMINAL BLOCK
 - D MOTOR CONTROL TERM. BLOCK (IN LESU)
 - E POWER TERM. BLOCK (IN LESU)
 - F KEYBOARD CONNECTOR
 - H LINE SHUNT RELAY (IN LESU)
 - X SELECTOR MAGNET DRIVER
 - K LINE TEST KEY TERM. STRIP (IN LESU)
 - L RECTIFIER (IN LESU)
 - P CONVEN. RECEPT. & FUSE (IN LESU)
 - Q POWER SWITCH (IN LESU)
 - R TYPING UNIT CONNECTOR
 - S SLOW REL. RLY. TERM. BLOCK (IN LESU)
 - T TEST SWITCH TERM. BLOCK (IN LESU)
 - U TRANS. DIST. CONNECTOR
 - AB LOCK BAR SWITCH (IN LAK)
 - AC AUXILIARY SWITCH (IN LAK)
 - AF SELECTOR SWITCH (IN LAK)
 - AH KEYBOARD TERM. BLOCK (IN LAK)
 - AJ E.O.L. INDICATOR SWITCH (IN LAK)
 - AL MARGIN INDICATOR SWITCH (IN LAK)
 - AP SYNC. PULSE MAGNET (IN LAK)
 - AQ CODE BAR CONTACT (IN LAK)
- INDICATES MOTOR UNIT. REFER TO 2900MD.
 INDICATES N.O. CONTACT
 INDICATES N.C. CONTACT
 INDICATES FILTERING, SHIELDING AND SUPPRESSION NETWORKS
- NOTES (CONT.)**
- SYNC. PULSE CURRENT SHOWN SUPPLIED FROM SET RECTIFIER. TO PULSE SET EXTERNALLY, REMOVE STRAPS AS FOLLOWS AND CONNECT EXTERNAL SOURCE IN ACCORDANCE WITH INSTALLATION REQUIREMENTS:
 - USE POWER AND SIGNAL LINE SUPPRESSORS AND SYNCHRONOUS OR GOVERNED FILTERED MOTOR UNIT FOR INSTALLATION REQUIRING MINIMUM R.F. INTERFERENCE. FOR OTHER INSTALLATIONS, OMIT SUPPRESSORS AND CONNECT INPUTS AND GOVERNED MOTOR DIRECTLY TO TERMINALS SHOWN.
 - (X) INDICATES SPARE LEADS WHICH ARE TAPED AND TIED BACK TO CABLE.
 - FOR SCHEMATIC OF AUXILIARY REPERFORATOR AND ASSOCIATED APPARATUS, SEE 3343MD.

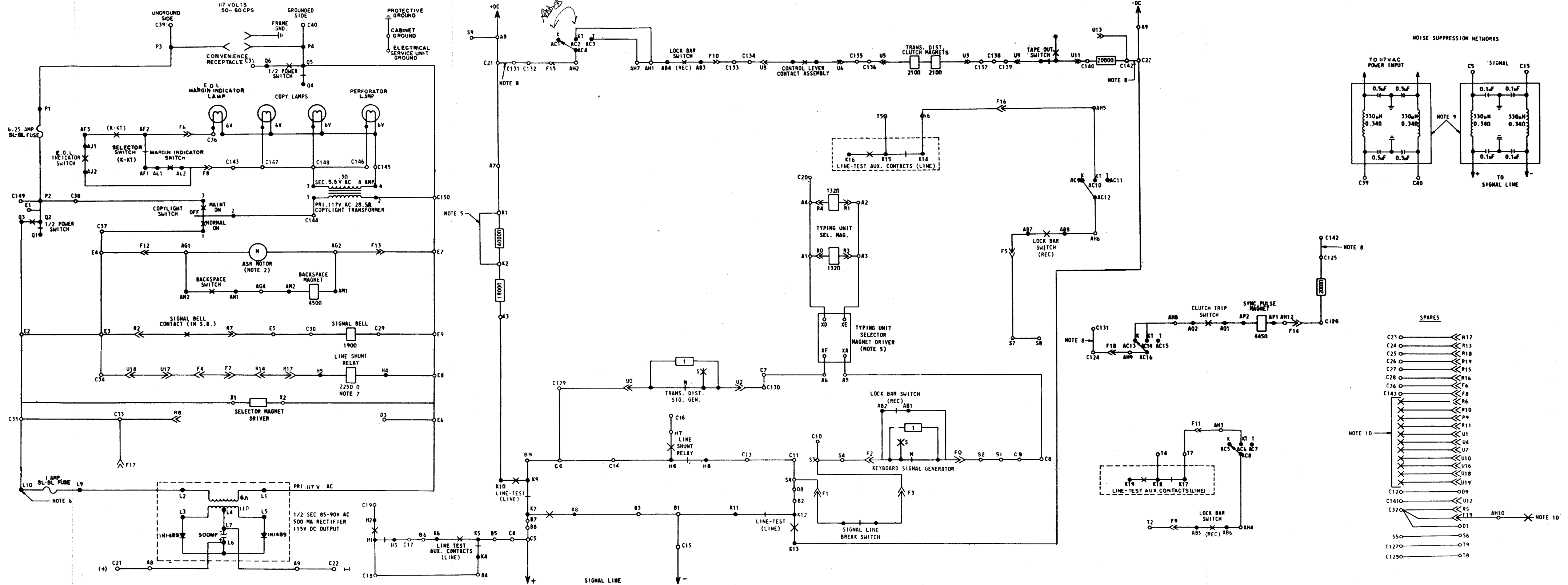


Figure 5-20. LESU III ASR Schematic Wiring Diagram