

SHEET INDEX

CONTENTS	SHEET NO.	ISSUE NO.																		
		1	2	3	4	5	6	7	8	9	10									
ASSOCIATED M & A PLANS NOTES (INFO., CKT. & EQUIP.) OPTION INDEX RECORD OF CHANGES SHEET INDEX SUPPORTING INFORMATION	A1	1	2																	
COMPLETE STATION CIRCUIT	B1	1	2																	
STATION WIRING DRAWINGS 28E ELEC. SERV. UNIT "C" TERM. STRIP	C1	1	2																	
STATION WIRING DRAWINGS 28 TYPING UNITS, BASES, MOTOR UNIT, LINE TEST KEY, TIME SWITCH	C2	1	2																	

OPTION INDEX

FEATURE	OPTION
28 KER	A
28 RO	B
.060 Amperes LINE CURRENT	C
.020 Amperes LINE CURRENT	D
NON-SELECTIVE CALLING	E
SELECTIVE CALLING	F
LINE TEST KEY	G
TIME SWITCH	H
WAVE SHAPING SET	Y
NO WAVE SHAPING SET	Z

INFORMATION NOTES

- A. UNLESS OTHERWISE SPECIFIED ALL COLORED LEADS SHALL BE 22GA, BROWN, TYPE GS STATION WIRE PER A.T.&T. CO. SPEC. 7089.
- B. WIRE MAN SHALL LINE OUT ALL FIGURES NOT USED ON COPY OF WIRING PLAN WHICH ACCOMPANIES STATION.
- C. ASSOCIATED COMPANY ENGINEERING SHALL BE RESPONSIBLE FOR STATION ARRANGEMENTS OTHER THAN THOSE CONTAINED IN THE TP-581.000 TELETYPEWRITER STATION CODING PLAN.
- D. UNLESS OTHERWISE SPECIFIED: RESISTANCE VALUES ARE IN OHMS. CAPACITANCE VALUES ARE IN MICROFARADS. VALUES PRECEDED BY THE SYMBOL + (PLUS) OR - (MINUS) ARE IN VOLTS.

CIRCUIT NOTES:

- 101. PROVIDE OPTION "C" FOR .060 AMPERE OPERATION. PROVIDE OPTION "D" FOR .020 AMPERE OPERATION. REMOVE OPTIONS "C" & "D" WHEN POLAR OPERATION IS REQUIRED.
- 102. REMOVE ALL STRAPS FROM "C" TERMINAL STRIP NOT SHOWN ON DRAWING.
- 103. STRAP C10-C11 WHEN OPTION "B" IS FURNISHED.

EQUIPMENT NOTES:

- 201. PROVIDE 28A, 28B, 28C OR 28D TYPING UNIT WHEN OPTION "E" IS FURNISHED. PROVIDE 28E, 28F OR 28G TYPING UNIT WHEN OPTION "F" IS FURNISHED.
- 202. PROVIDE 28D BASE WHEN OPTION "A" IS FURNISHED. PROVIDE 28B BASE WHEN OPTION "B" IS FURNISHED.
- 203. SPARK SUPPRESSORS ACROSS LINE RELAY CONTACTS ARE PRESENT ON 314A RELAY ONLY.
- 204. USE 4 AMP FUSETRON OR EQUIVALENT FOR STATION POWER.
- 205. THE TP-152675 FUNCTION BAR FURNISHED FOR TYPE ARRANGEMENT "D" REPLACES THE TP-152669 "NO RESTRICTIONS" FUNCTION BAR IN SLOT 22 OR 15 TO FURNISH SPACING ON U.C. BLANK.

ASSOCIATED M & A PLANS

M PLAN		A PLAN
MO556	MO572	A0080

SUPPORTING INFORMATION

CATEGORY	ISSUED BY	NO.
STATION WIRING	B.T.L.	P91.201

SHEET INDEX NOTES

1. WHEN CHANGES ARE MADE IN THIS DRAWING, ONLY THOSE SHEETS AFFECTED WILL BE REISSUED.
2. THIS SHEET INDEX WILL BE REISSUED AND BROUGHT UP TO DATE EACH TIME ANY SHEET OF THE DRAWING IS REISSUED, OR A NEW SHEET IS ADDED.
3. THE ISSUE NUMBER ASSIGNED TO A CHANGED OR NEW SHEET WILL BE THE SAME ISSUE NUMBER AS THAT OF THE SHEET INDEX.
4. SHEETS THAT ARE NOT CHANGED WILL RETAIN THEIR EXISTING ISSUE NUMBER.
5. THE LAST ISSUE NUMBER OF THE SHEET INDEX IS RECOGNIZED AS THE LATEST ISSUE NUMBER OF THE DRAWING AS A WHOLE.

REQ. NO.
SHOP ORDER NO.

RECORD OF CHANGES

ISSUE 3-25-59
REVISED TO CHANGE INTO NEW FORMAT, INCLUDE SCHEMATIC, AND BRING WIRING OF UNITS UP TO DATE.

ISSUE 1 11-15-63 EHT

Reissued:
Strap removed between terminals C10 and C13 and added between terminals C11 and C13 at FS2.
Strap removed between terminals C10 and C13 and added between D4 and C13 at FS3 and FS4.
Strap removed between terminals 10 and 13 and added between terminals 11 and 13 on "C" Strip.
Motor ground added
Issue 2 12-01-66 JTS

WESTERN ELECTRIC COMPANY, INC.
Product Engineering Control Center
Teletype Corporation

W0470
4 SHEETS

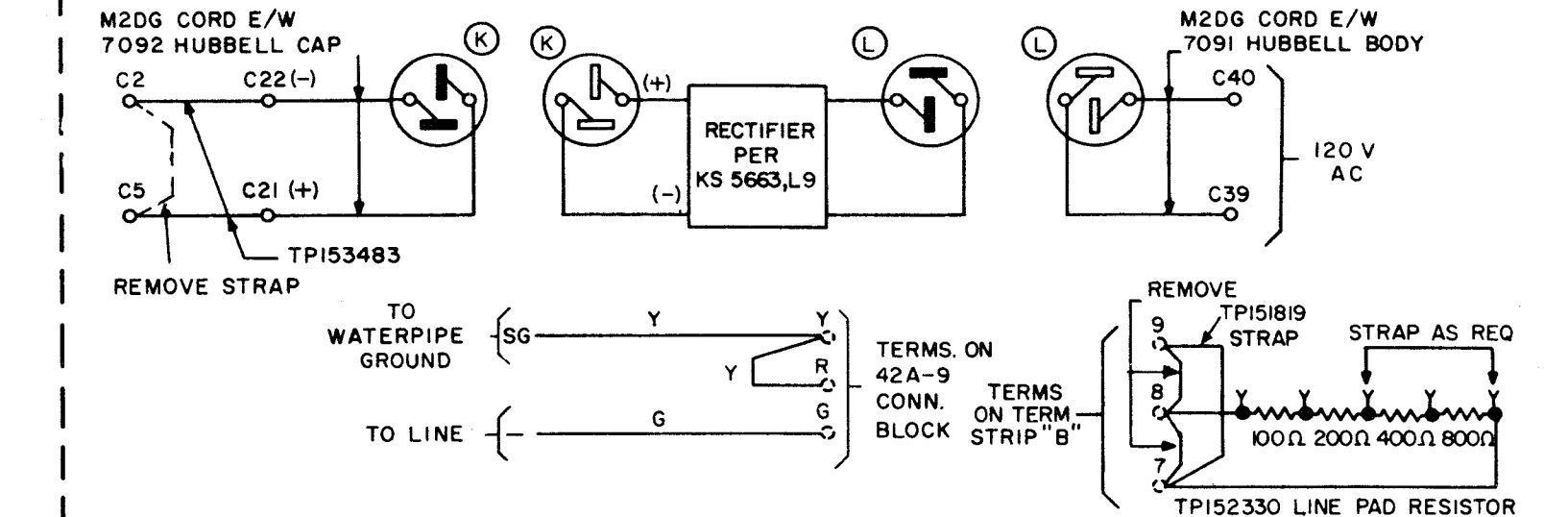
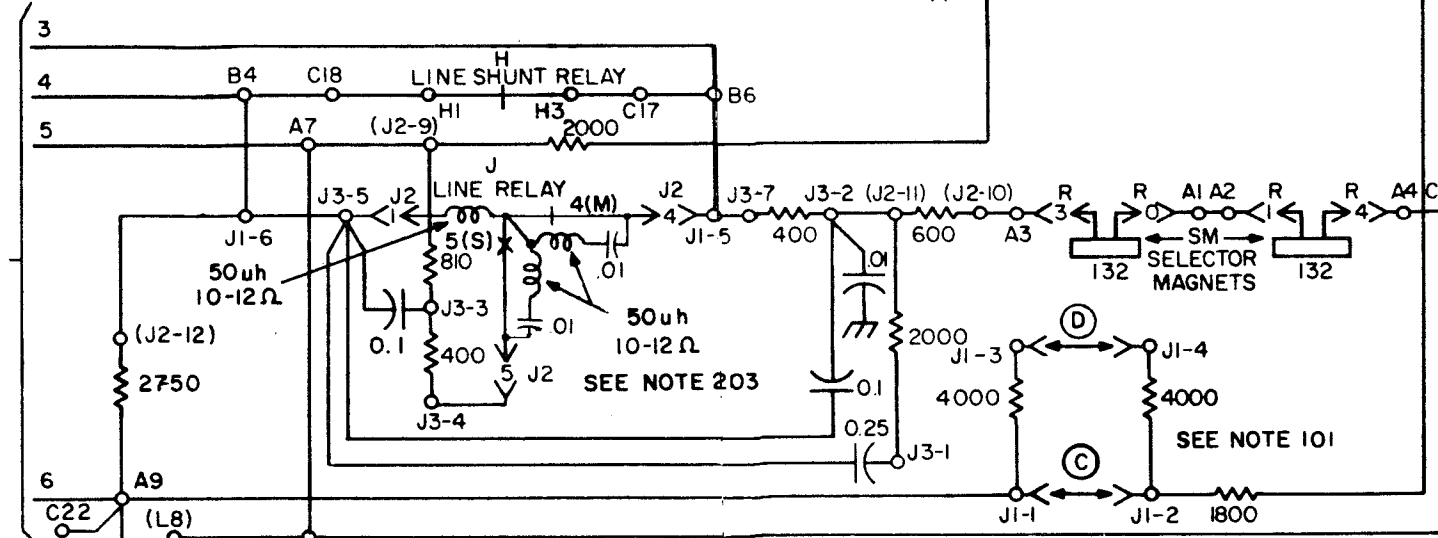
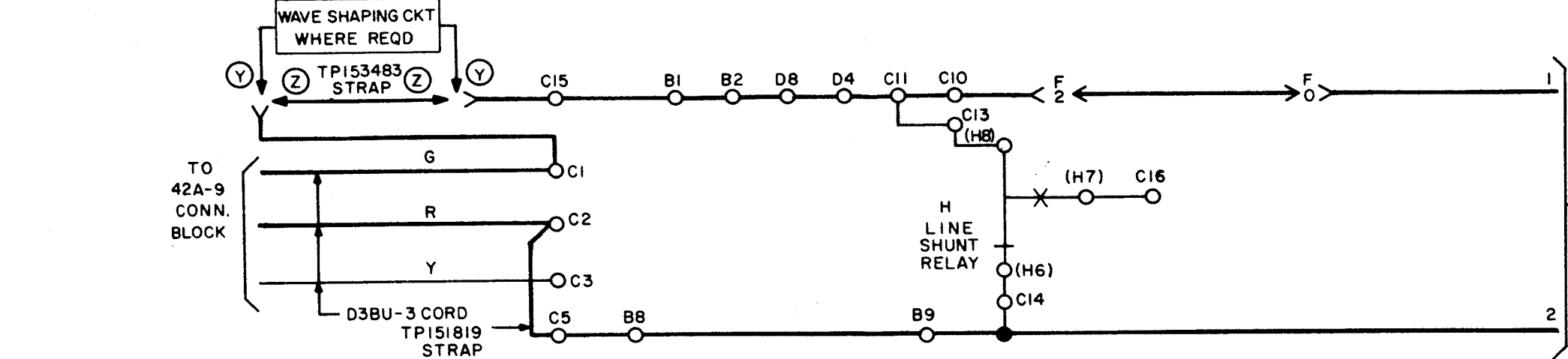
28 TYPE TWPL SERVICE
KEYBOARD SEND-RECEIVE OR RECEIVE-ONLY
LINE RELAY - SWITCH CONTROL
NEUTRAL OR POLAR - AC 60 CYCLES

SHEET A1
TP-581.000 FILE IN BOOK 4C

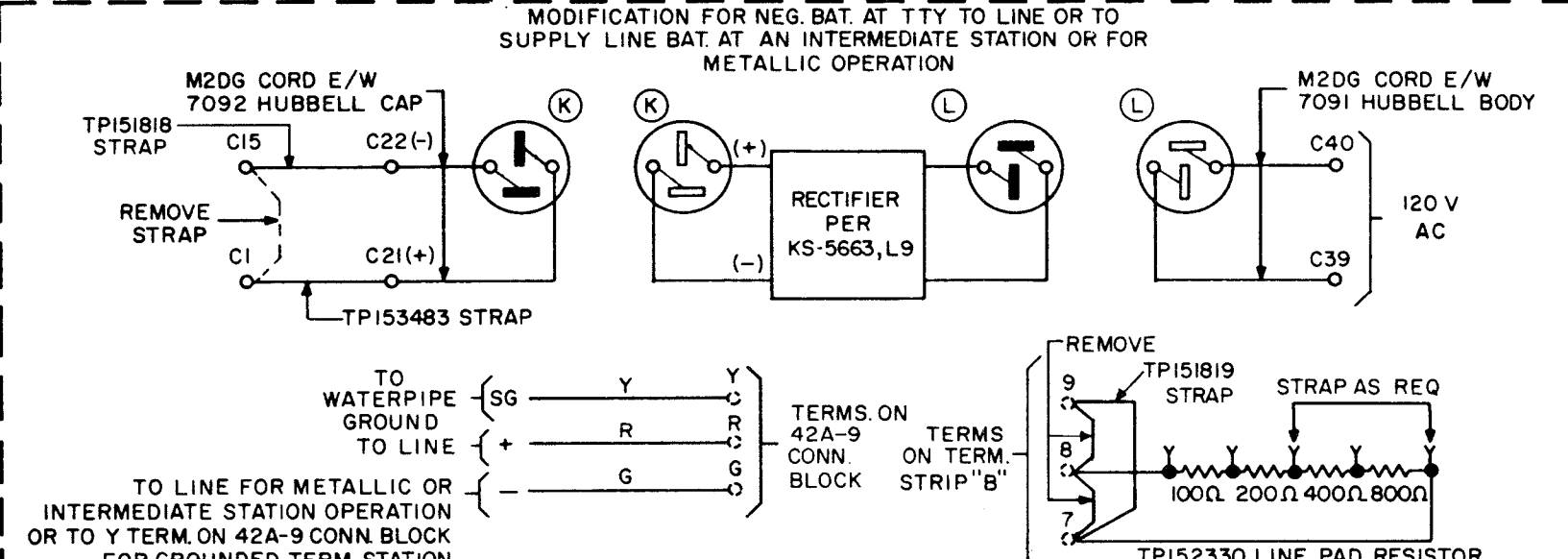
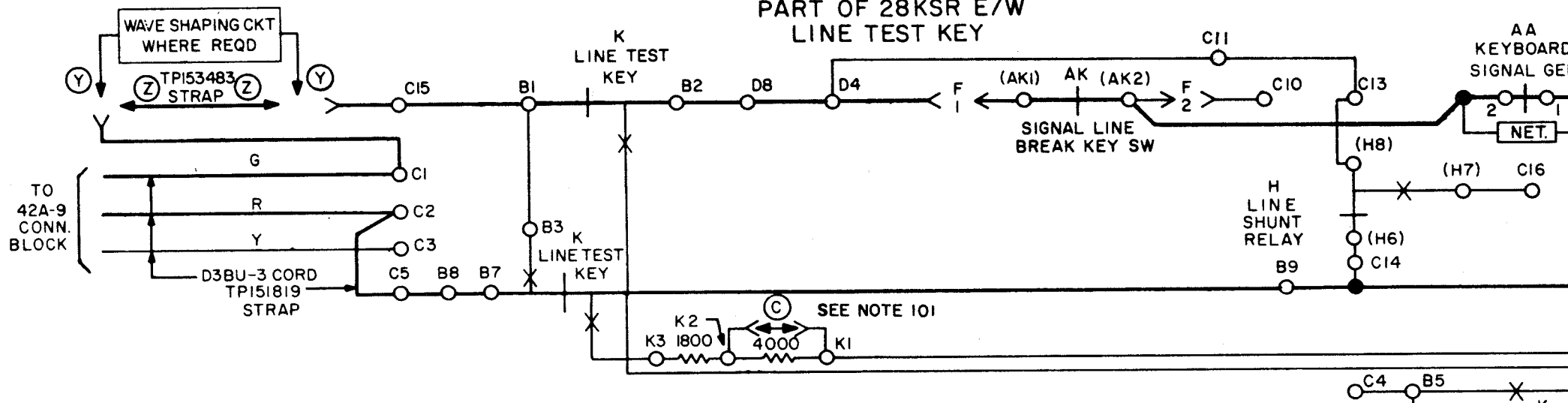
FS2
PART OF 28RO

FS1
PART OF 28RO
& 28 KSR

MODIFICATION FOR POS BAT. AT TTY TO LINE



FS3
PART OF 28KSR E/W
LINE TEST KEY



FS4
PART OF 28KSR
LESS LINE TEST KEY

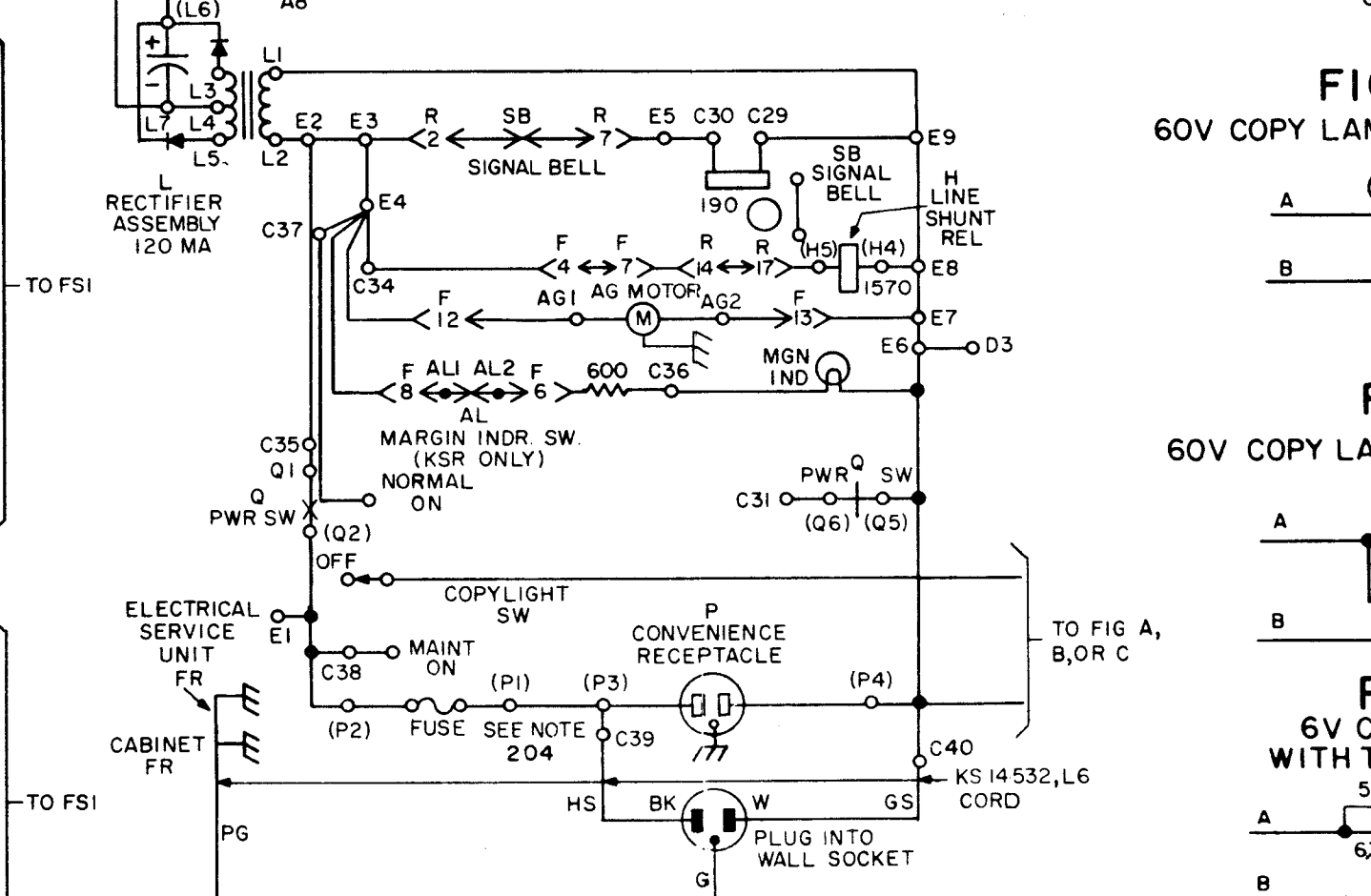
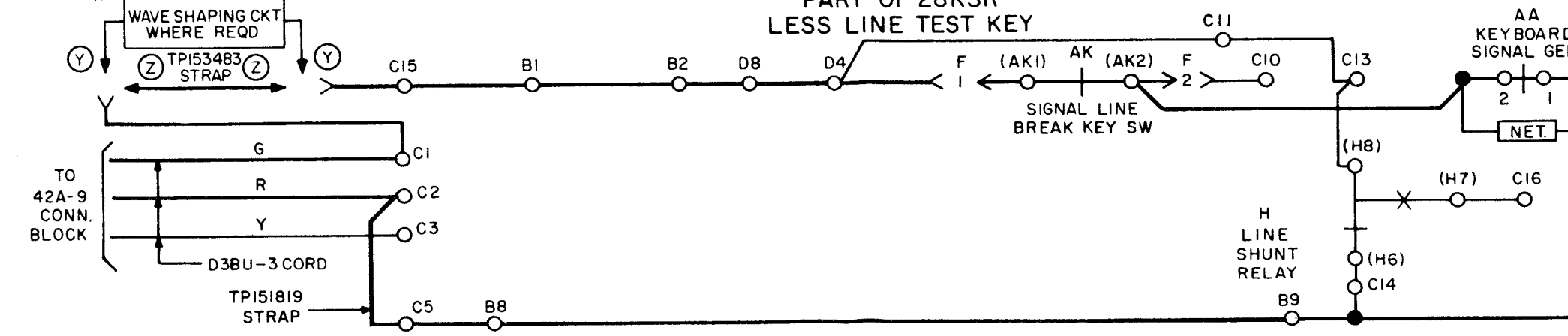


FIG. A
60V COPY LAMPS IN SERIES

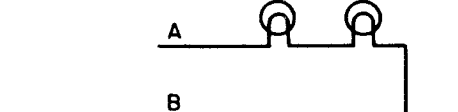


FIG. B
60V COPY LAMPS IN PARALLEL

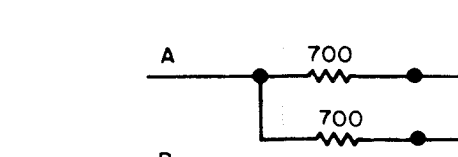
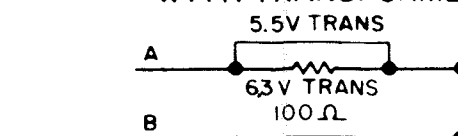
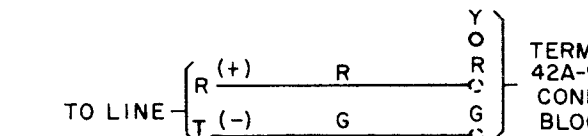


FIG. C
6V COPY LAMPS
WITH TRANSFORMER

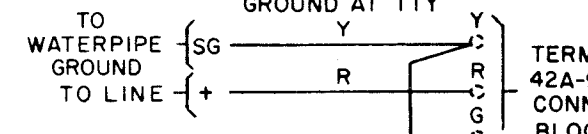


EXTERNAL LINE CONNECTIONS

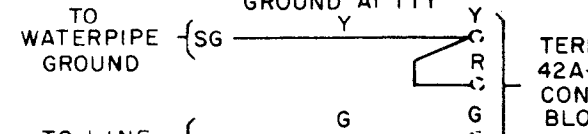
CONNECTIONS FOR TWO-WIRE LINE



CONNECTIONS FOR POS LINE TO GROUND AT TTY



CONNECTIONS FOR NEG LINE TO GROUND AT TTY



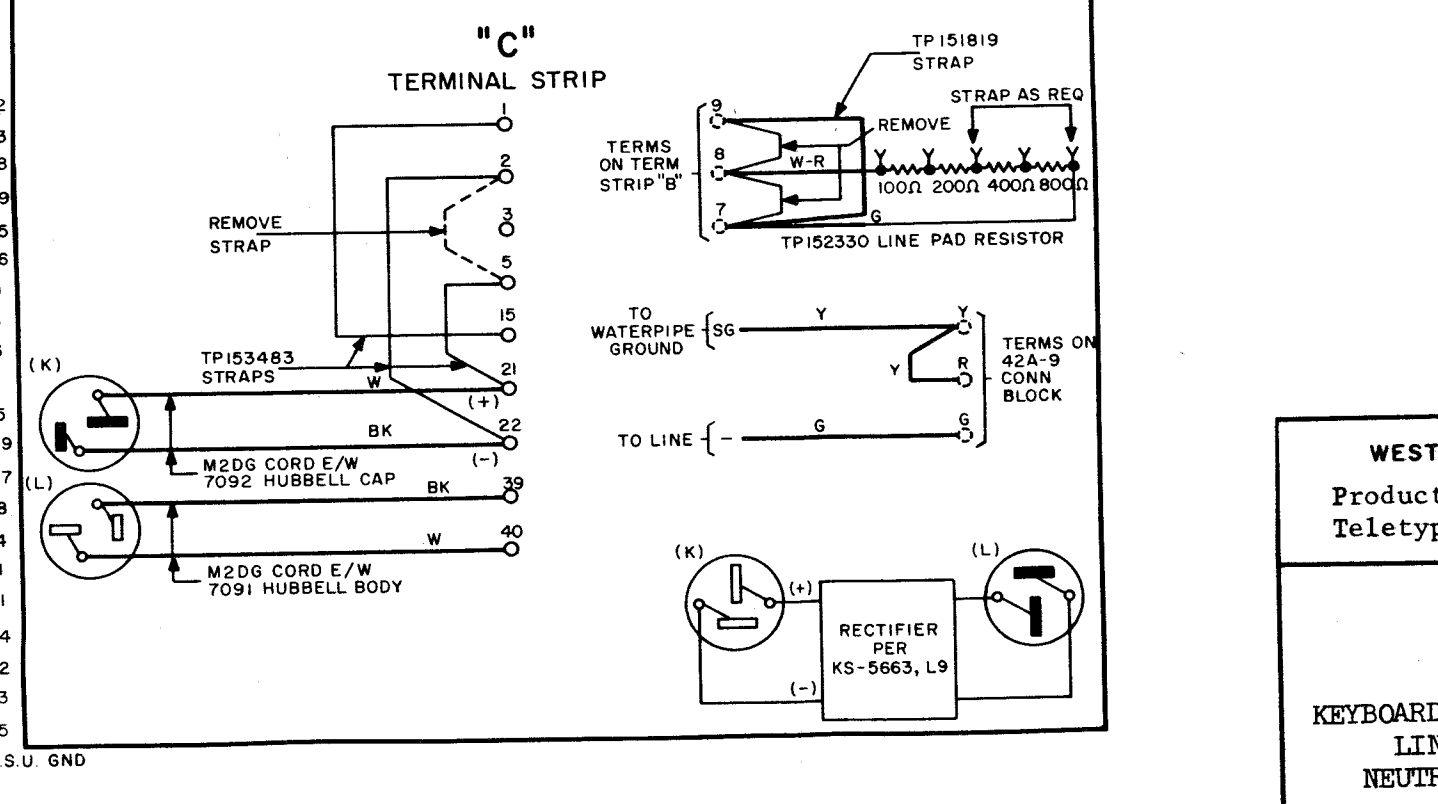
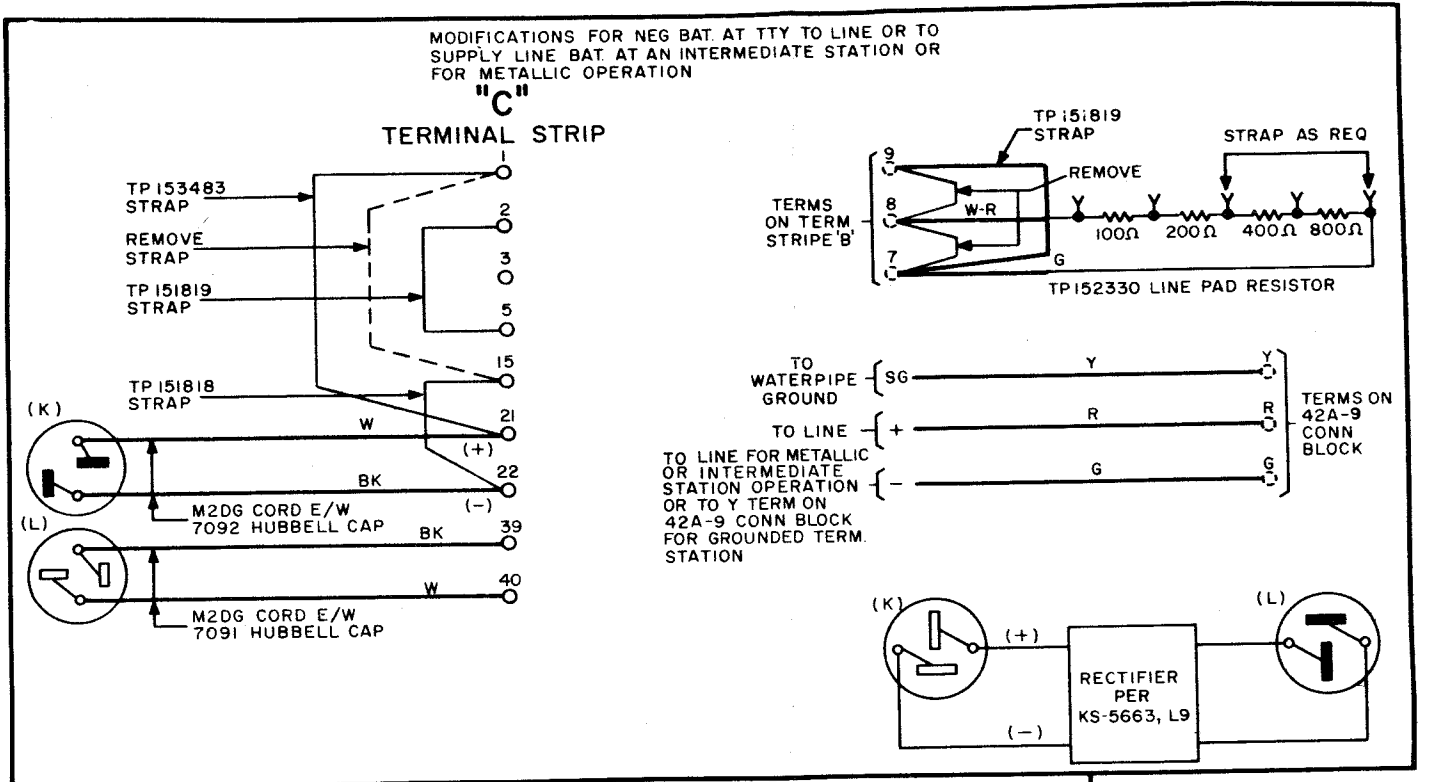
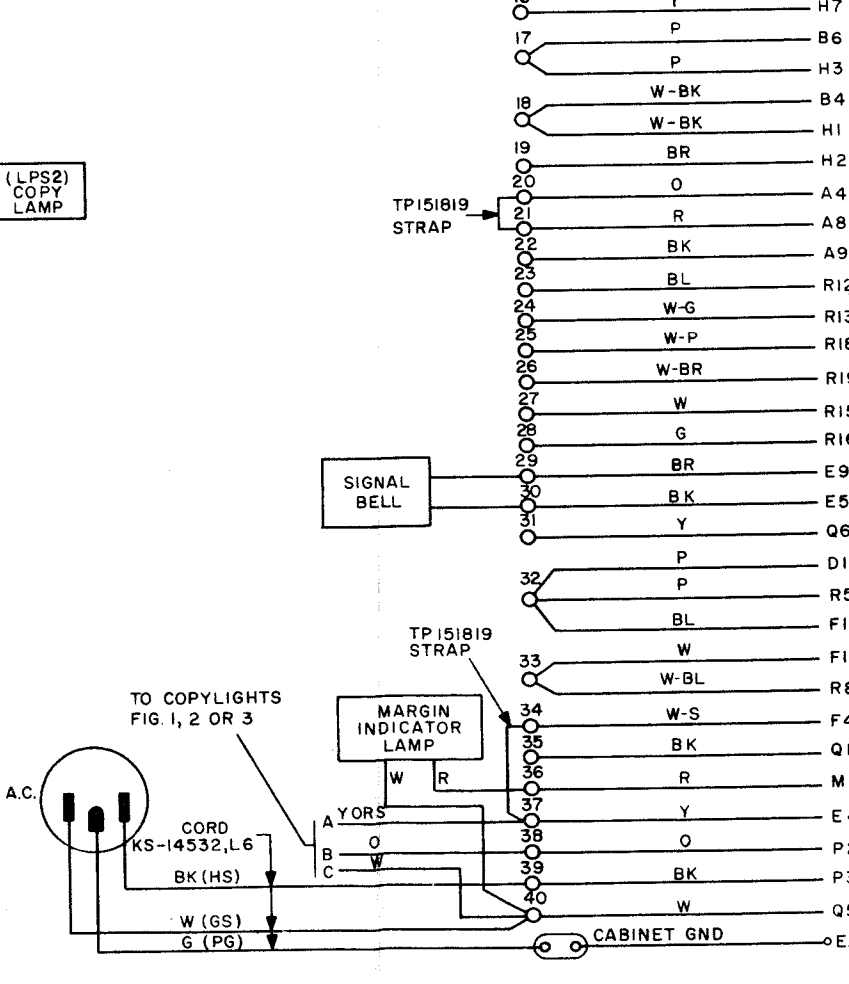
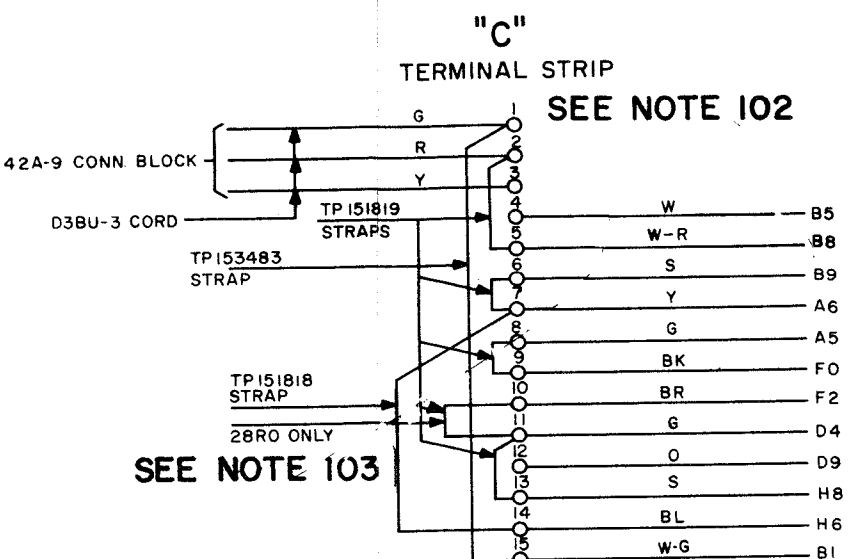
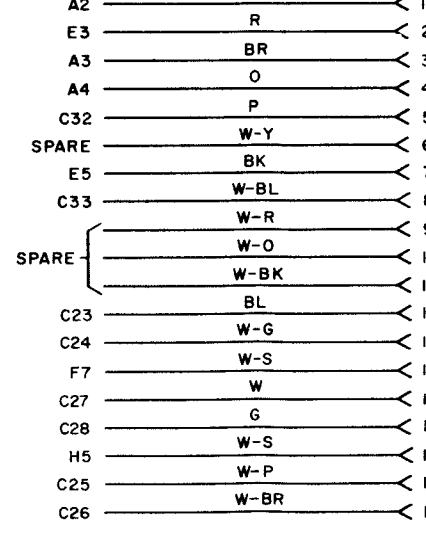
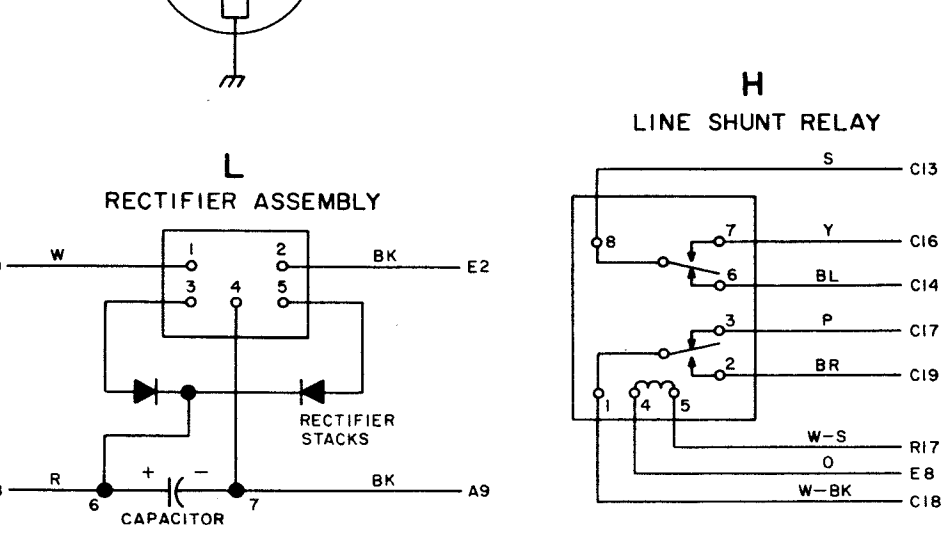
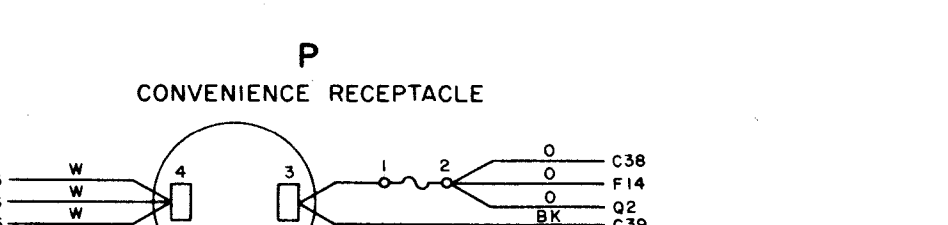
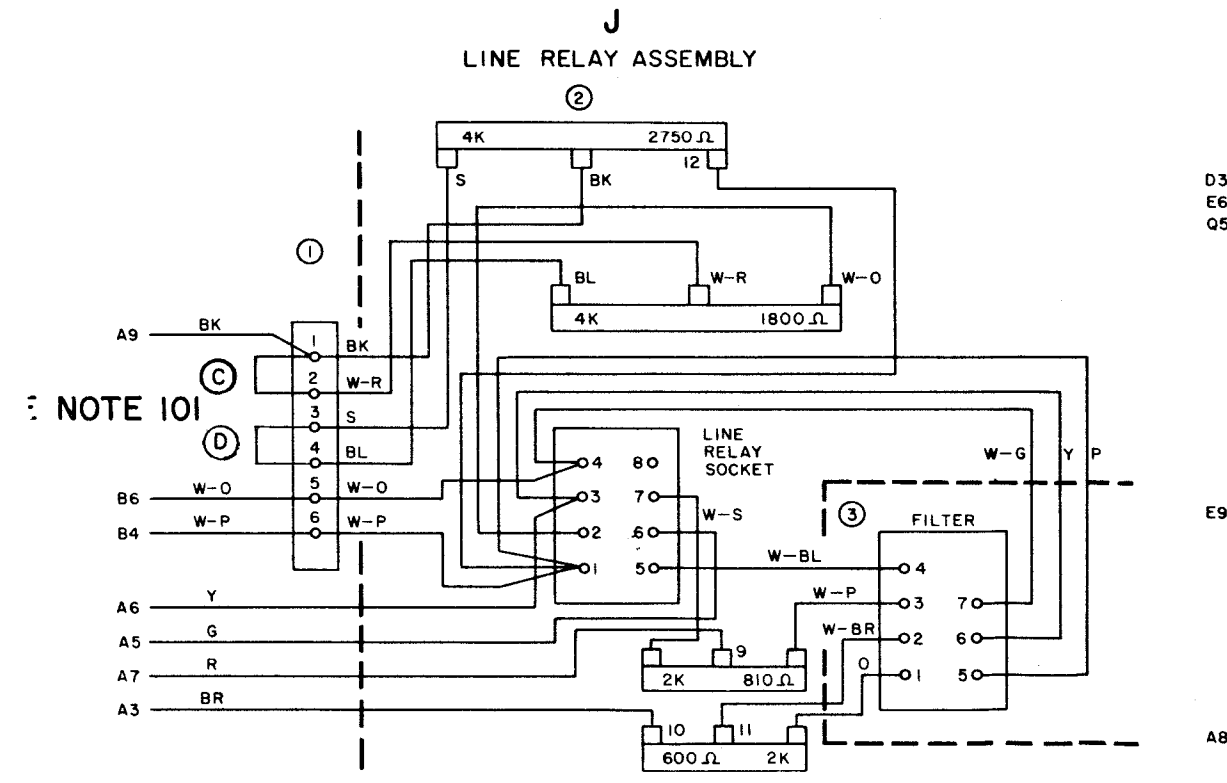
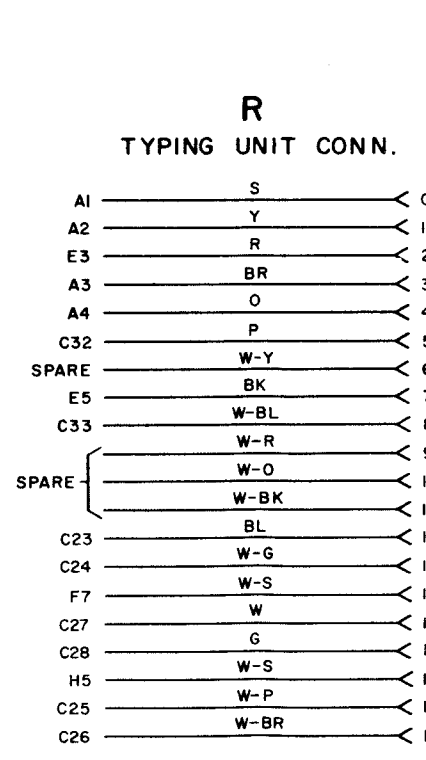
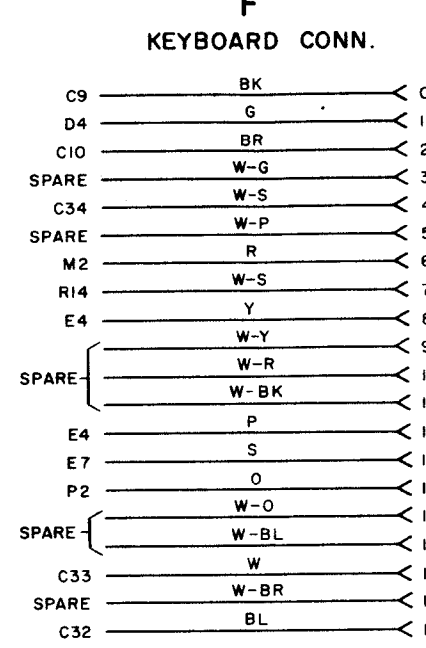
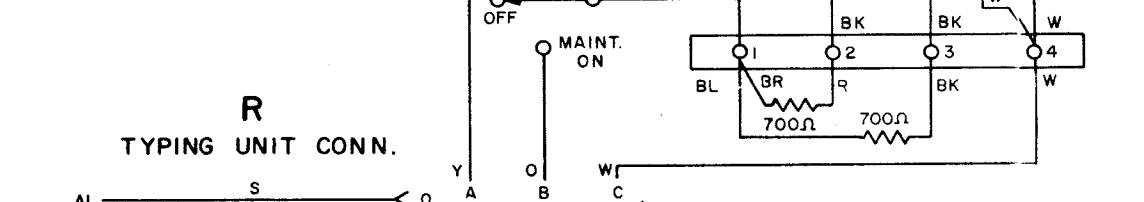
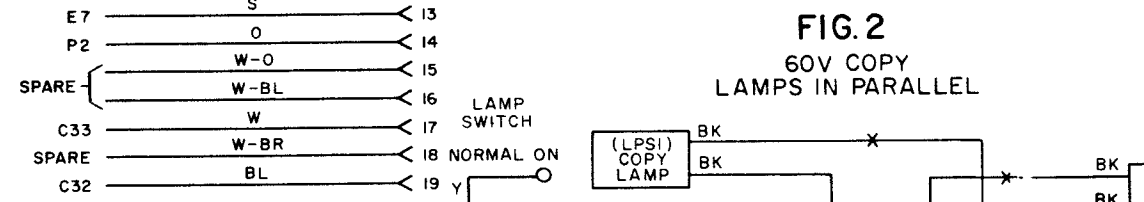
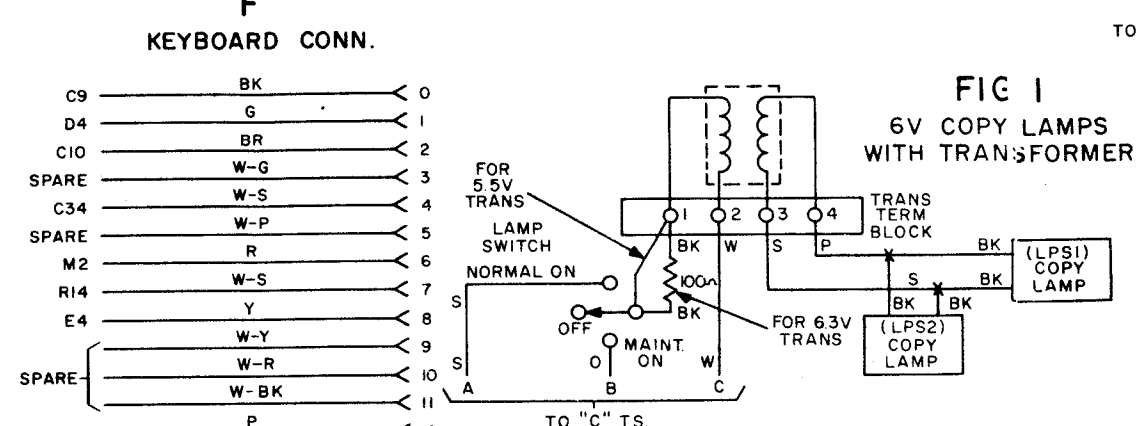
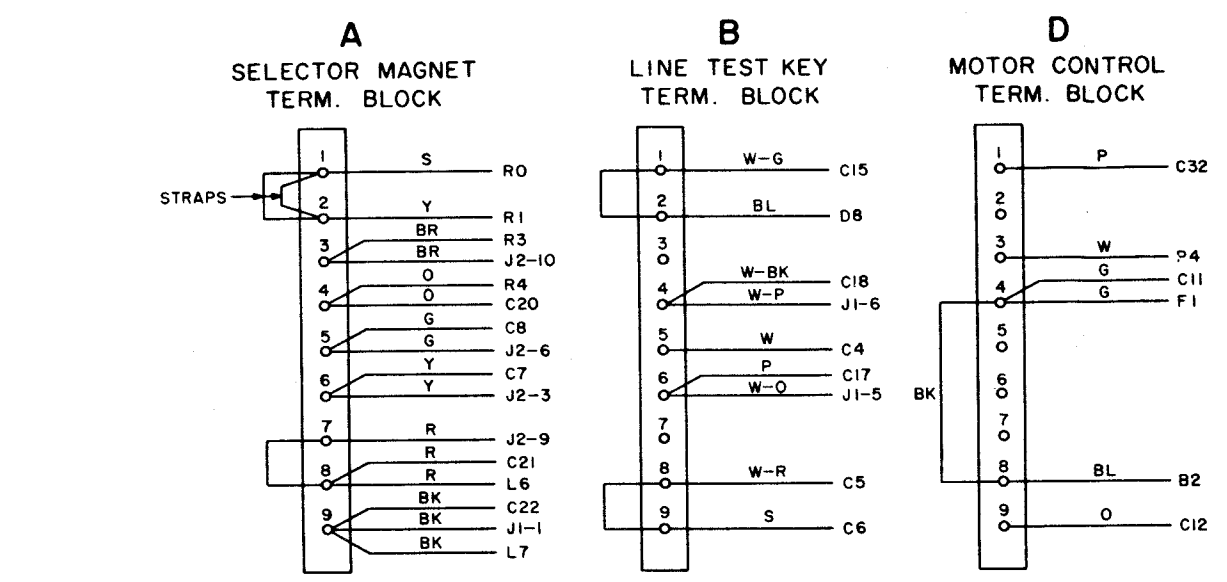
DRAWING ISSUE

ISSUE	DATE	SIGN
1	11-15-63	EHT
2	12-1-66	JTS

WESTERN ELECTRIC COMPANY, INC.
Product Engineering Control Center
Teletype Corporation

W0470
28 TYPE TWPL SERVICE
KEYBOARD SEND-RECEIVE OR RECEIVE-ONLY
LINE RELAY - SWITCH CONTROL
NEUTRAL OR POLAR - AC 60 CYCLES
SHEET B1
TP-581.000 FILE IN BOOK 4C

28E ELECTRICAL SERVICE UNIT & "C" TERMINAL STRIP



DRAWING ISSUE

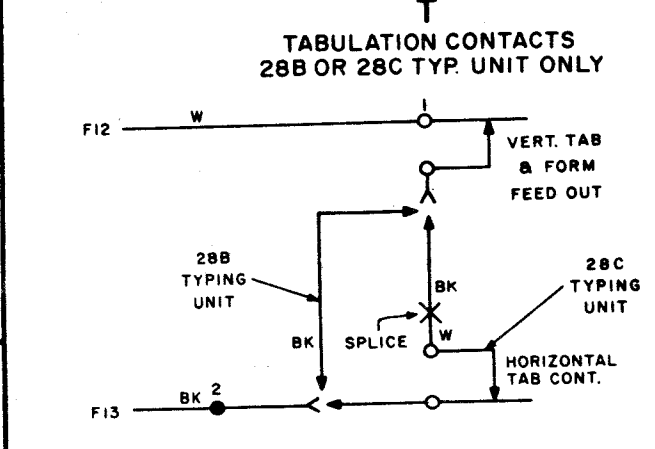
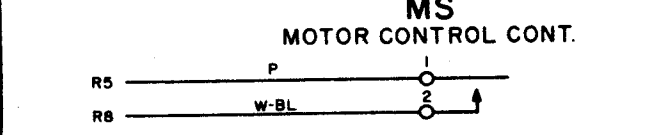
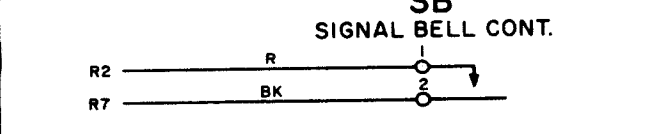
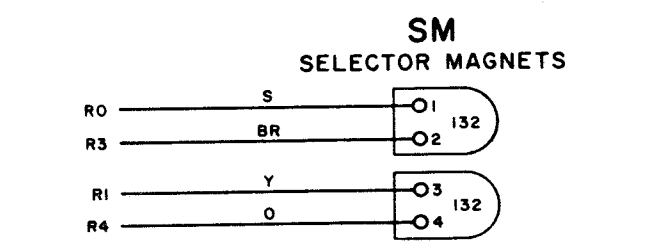
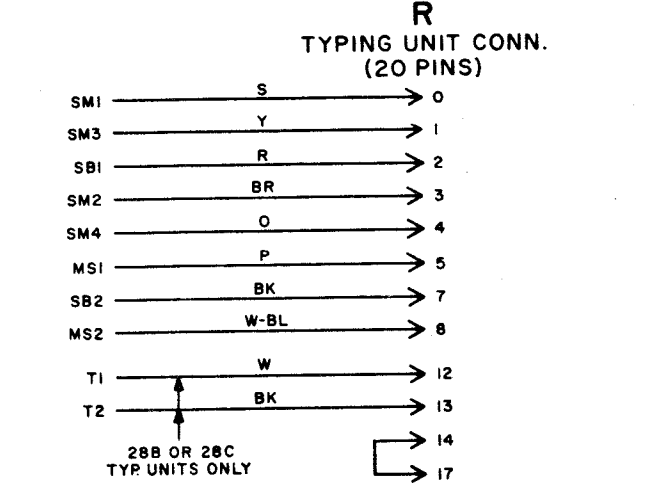
ISSUE	DATE	SIGN.
1	11-15-63	EHT
2	12-1-66	JTS

WESTERN ELECTRIC COMPANY, INC.
 Product Engineering Control Center
 Teletype Corporation

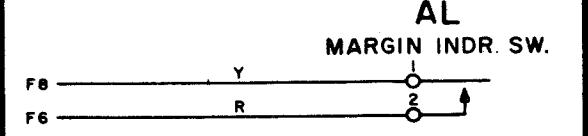
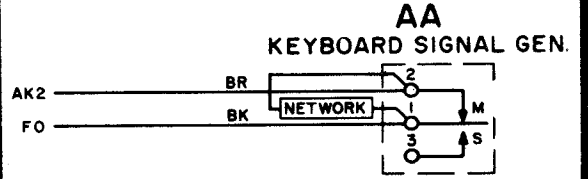
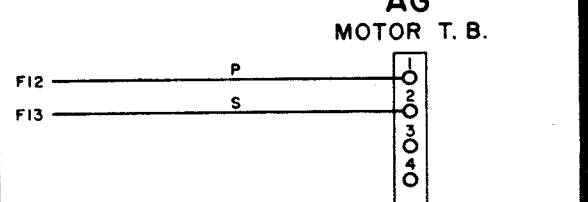
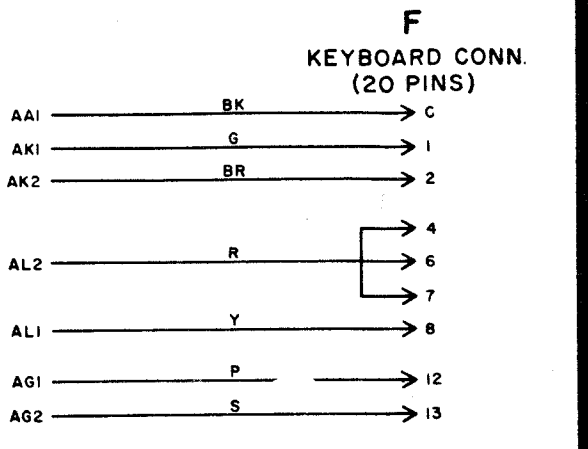
W0470
 28 TYPE TWPL SERVICE
 KEYBOARD SEND-RECEIVE OR RECEIVE-ONLY
 LINE RELAY - SWITCH CONTROL
 NEUTRAL OR POLAR - AC 60 CYCLES

SHEET C1
 TP-581.000 FILE IN BOOK 4C

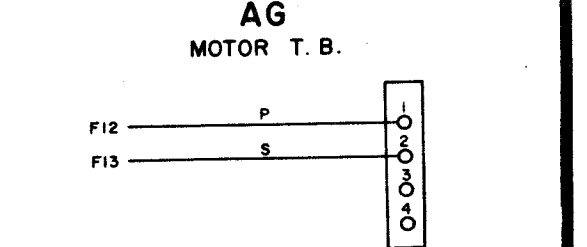
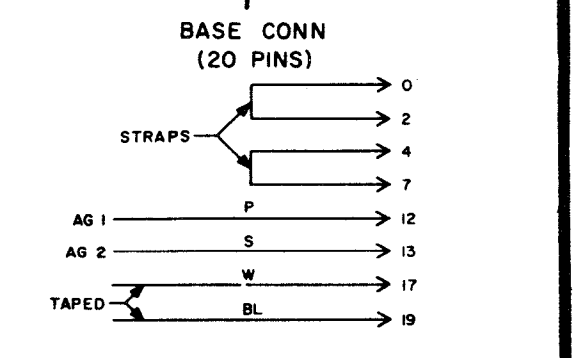
SEE NOTE 201
28A, 28B, 28C & 28D TYPING UNITS



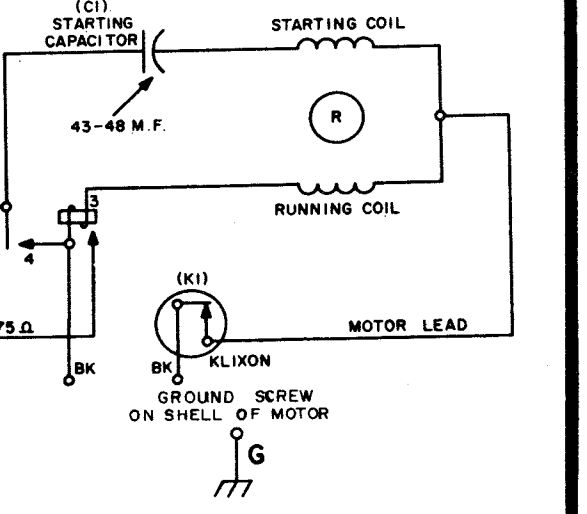
SEE NOTE 202
28D TELETYPEWRITER BASE



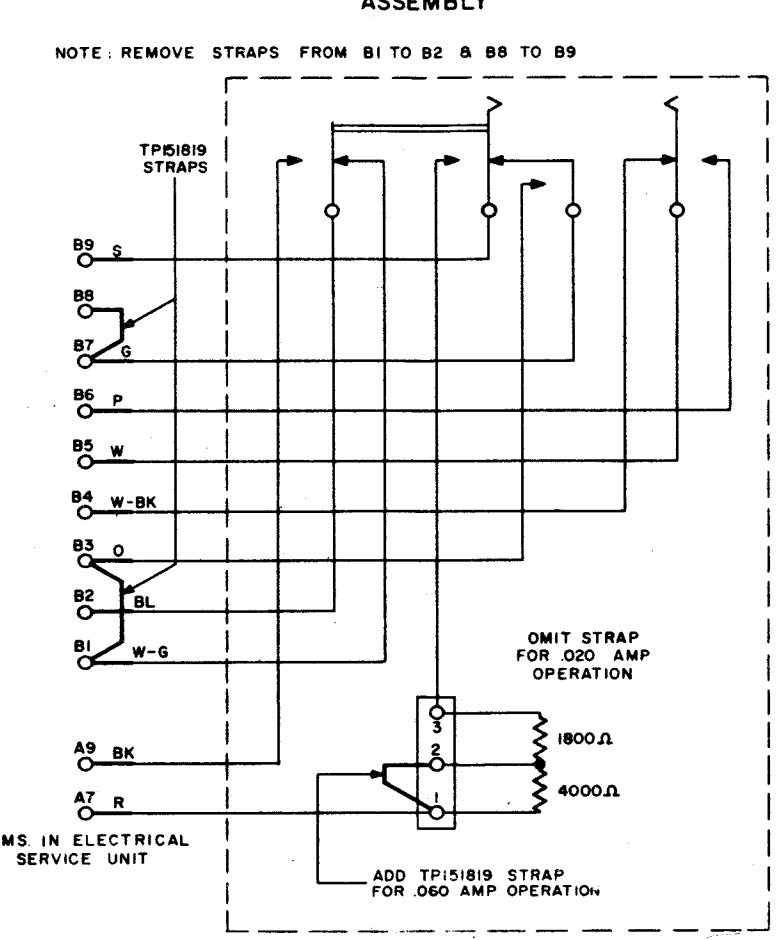
SEE NOTE 202
28B TELETYPEWRITER BASE



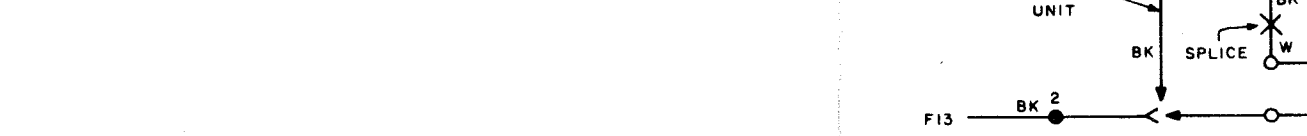
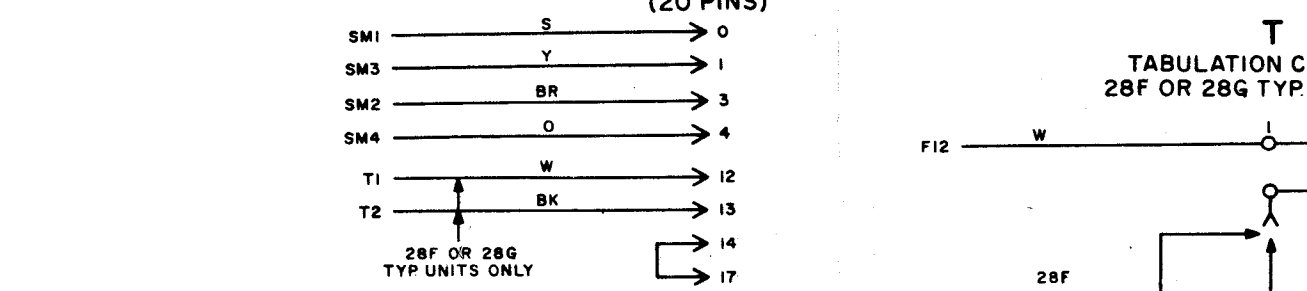
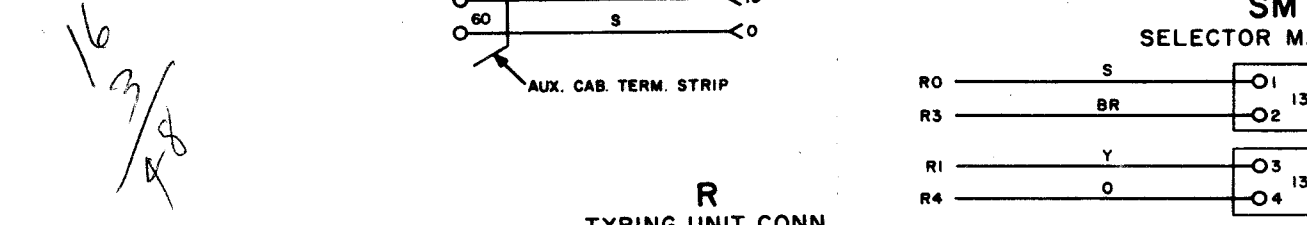
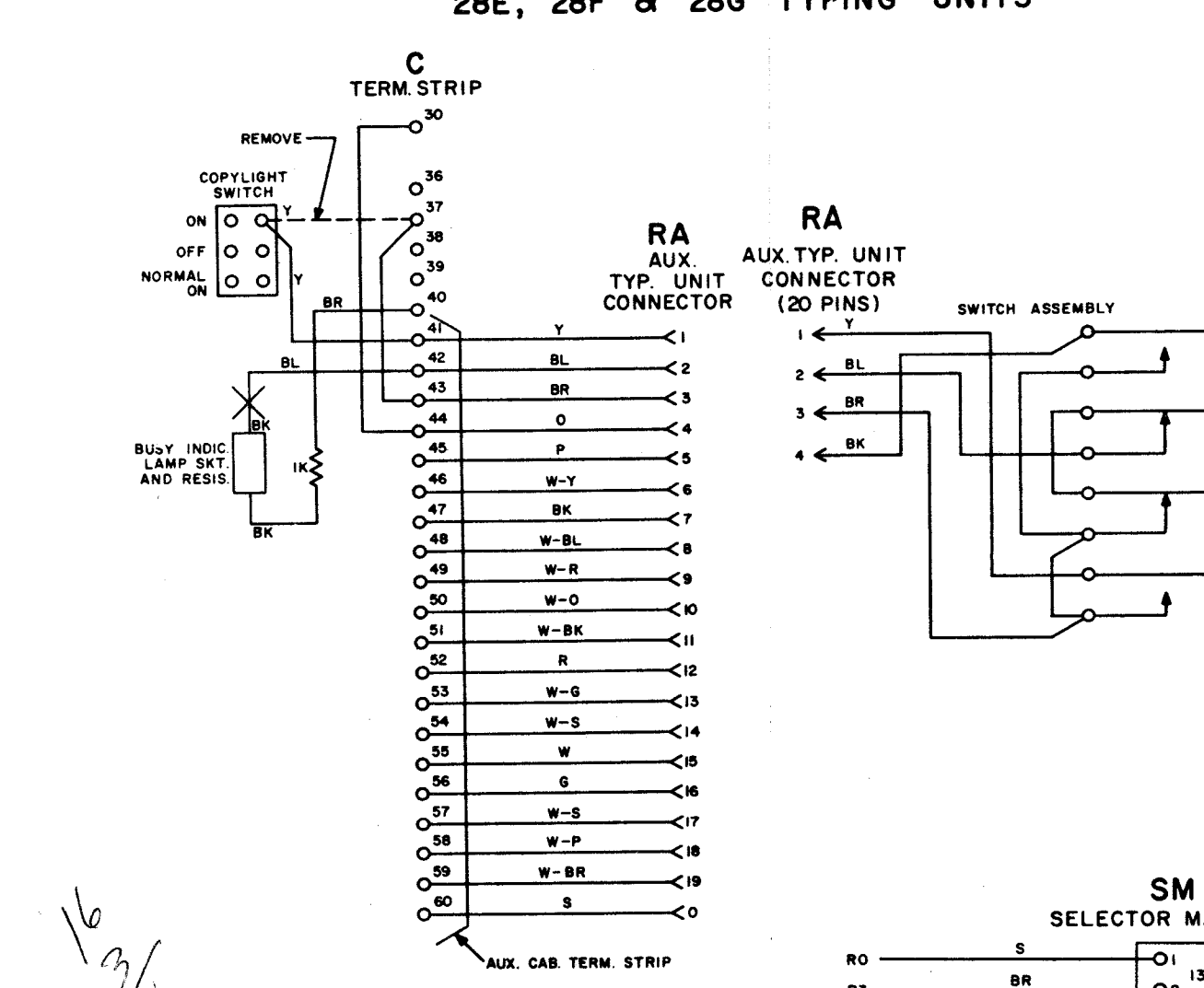
28A MOTOR UNIT



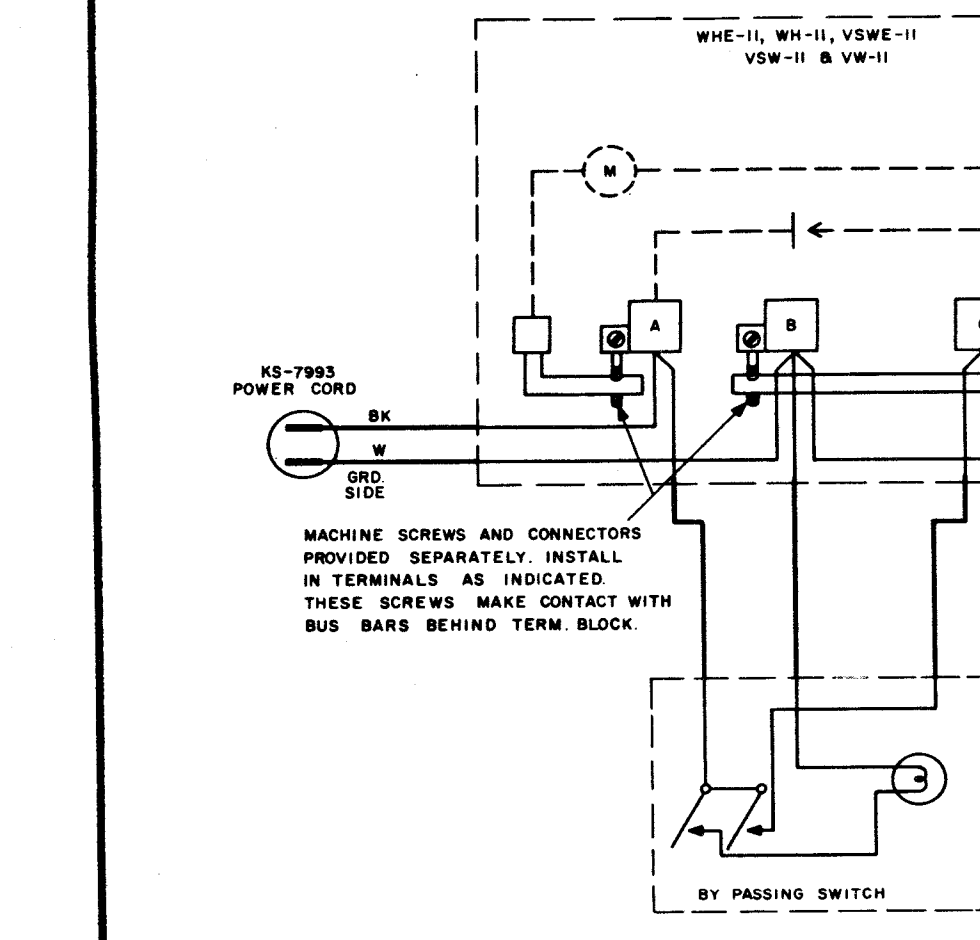
TP 152625 LINE TEST KEY ASSEMBLY



SEE NOTE 201
MODIFICATION & WIRING FOR SELECTIVE CALLING
28E, 28F & 28G TYPING UNITS



TIME SWITCH



DRAWING ISSUE

ISSUE	DATE	SIGN.
1	11-15-63	EHT

WESTERN ELECTRIC COMPANY, INC.
Product Engineering Control Center
Teletype Corporation

W0470
28 TYPE TWPL SERVICE
KEYBOARD SEND-RECEIVE OR RECEIVE-ONLY
LINE RELAY - SWITCH CONTROL
NEUTRAL OR POLAR - AC 60 CYCLES

SHEET C2
TP-581.000 FILE IN BOOK 4C