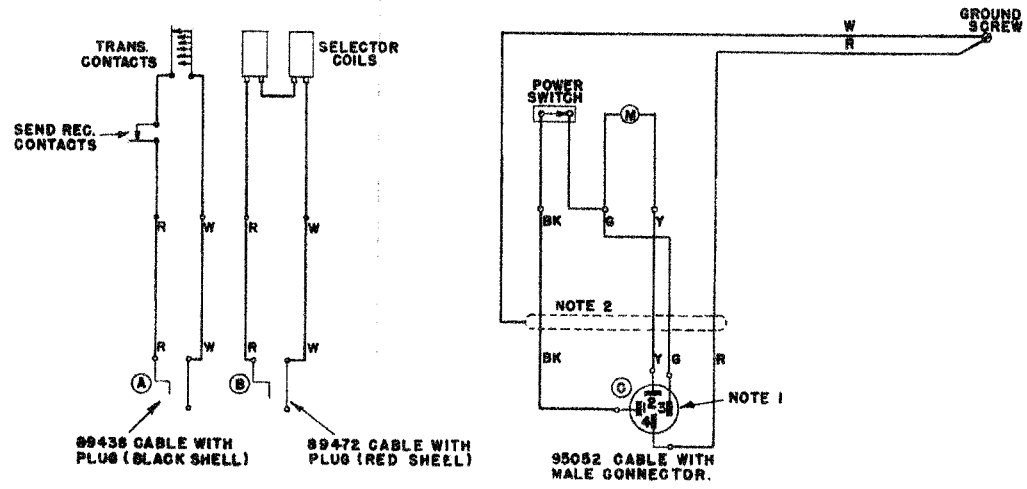
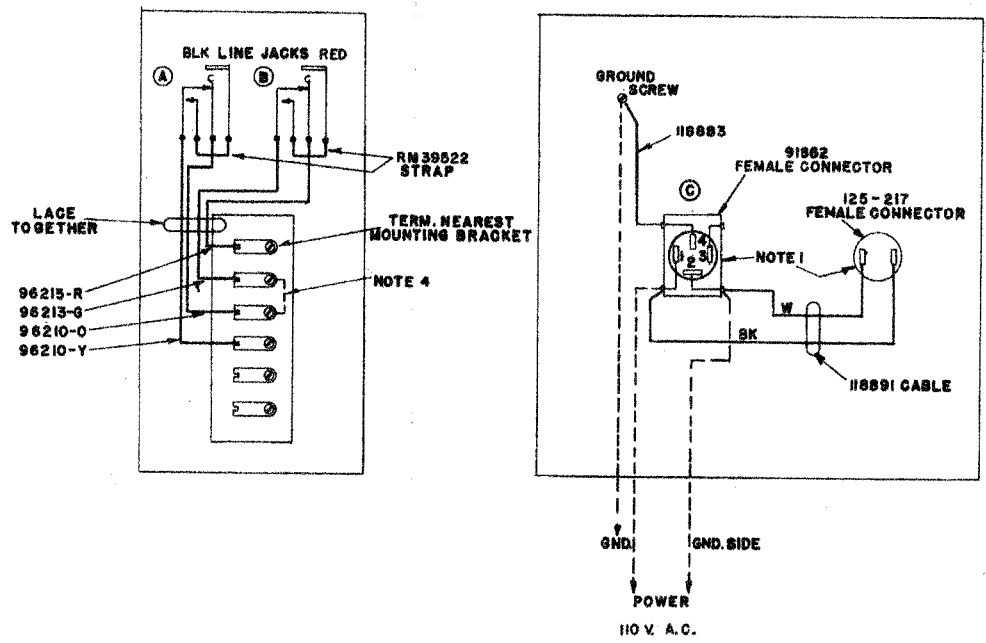


NO.	NOTES												
1	MALE CONNECTOR SHOWN FROM PRONG SIDE. FEMALE CONNECTOR SHOWN FROM SLOT SIDE.												
2	CABLE SHIELDING												
3	WIRE COLOR CODE. SOLID COLOR OR TRACER IN WHITE WIRE. <table border="0" style="margin-left: 20px;"> <tr> <td>Y</td><td>YELLOW</td> <td>O</td><td>ORANGE</td> </tr> <tr> <td>G</td><td>GREEN</td> <td>R</td><td>RED</td> </tr> <tr> <td>W</td><td>WHITE</td> <td>BK</td><td>BLACK</td> </tr> </table>	Y	YELLOW	O	ORANGE	G	GREEN	R	RED	W	WHITE	BK	BLACK
Y	YELLOW	O	ORANGE										
G	GREEN	R	RED										
W	WHITE	BK	BLACK										
4.	FOR CONNECTING SEND-REC. JACKS IN SERIES, STRAP TERMINALS AS SHOWN.												

MODEL 15 PRINTER (WD 2495)



REVISIONS	
A	4-28-48 44348
B	7-7-48 44965



RTTY ELECTRONICS
TELETYPE=Sales-Service-Parts
PO Box 20101 El Sobrante, Ca.
94820. (510)222-3102
mr_rtty@pacbell.net

WD 2500-B
3-18-48

WIRING DIAGRAM
FOR
AC203 APPARATUS
CABINET

DRAWN L. A.	APPROVED
ENG'R'D. R.R.R.	<i>R. R. R.</i>
CHECKED <i>Red</i>	
FILE 34-5588A	

TELETYPE
CORPORATION