

NO.	NOTES
1.	COVER ALL EXPOSED TERMINALS WITH SUITABLE TUBING.
2.	* INDICATES SPLICE, SOLDER AND TAPE

2632 WD

ISSUE	DATE	AUTH. NO.
2	8-13-62	74212
3	1-9-64	79202
4	1-17-64	78142
5	10-14-64	83547
6	8-30-68	97803
7	9-17-69	98448

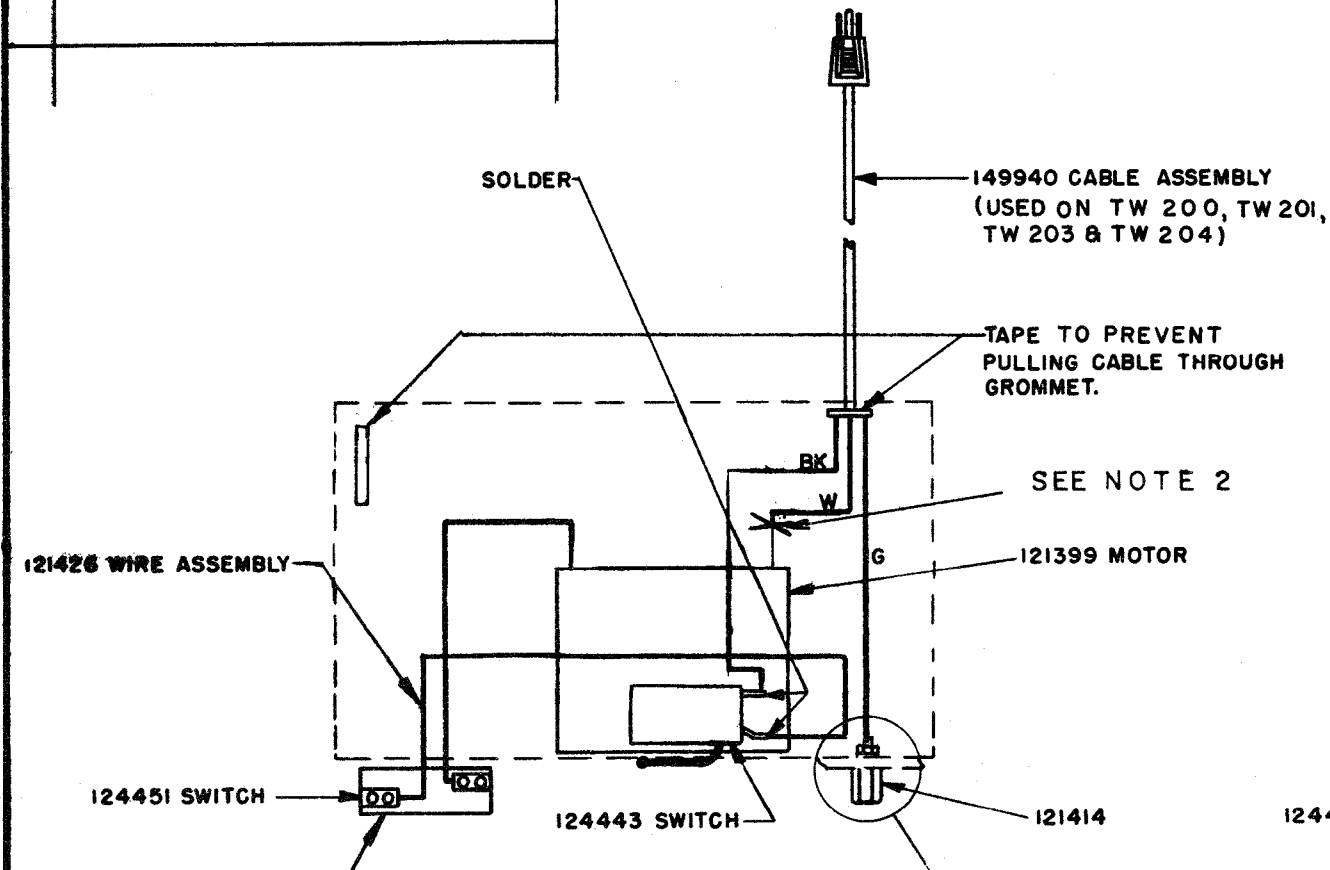


FIG. 1 FOR TW 200, 203, 204

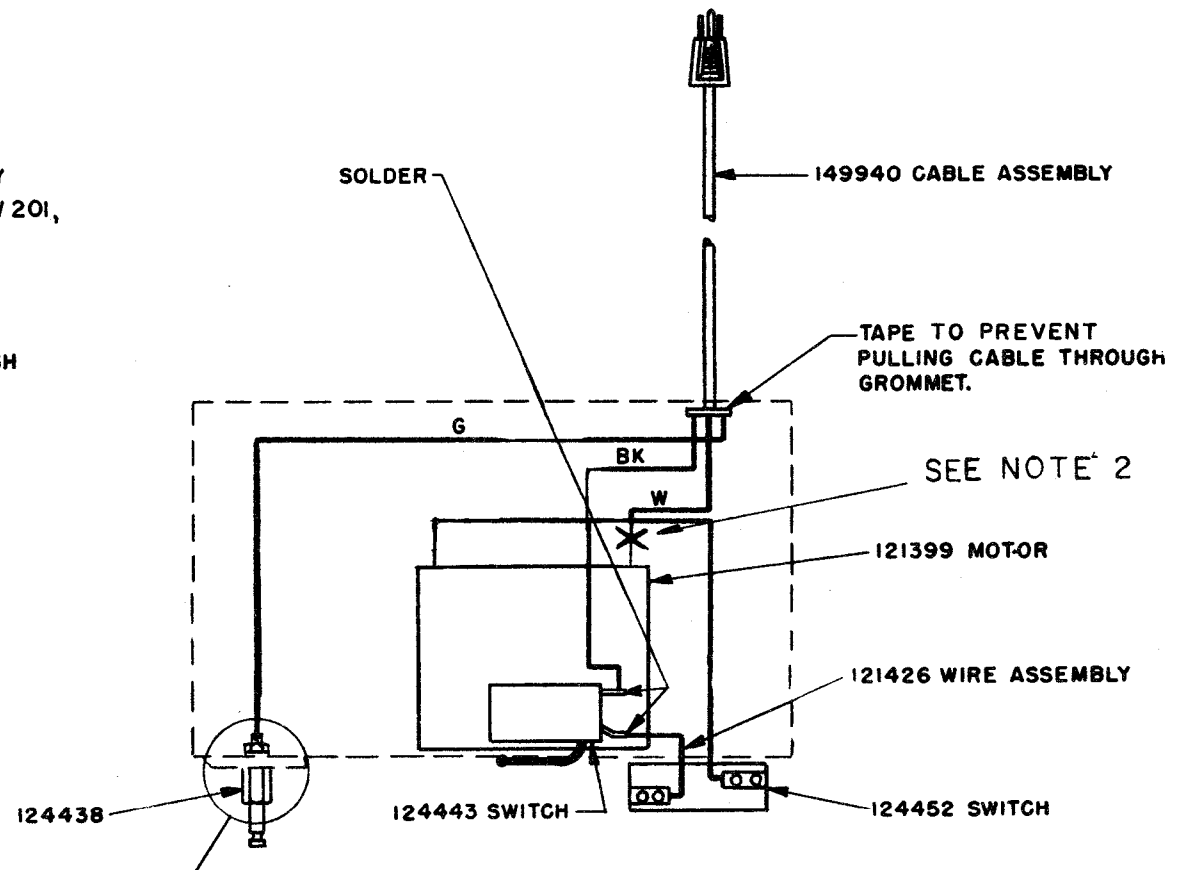
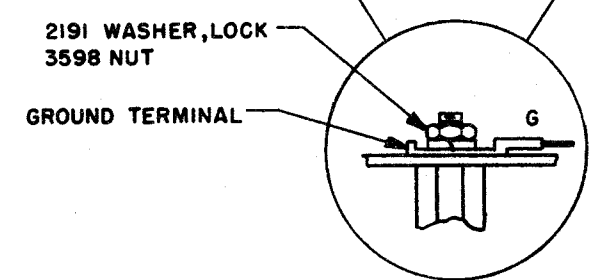


FIG. 2 FOR TW 201



**ACTUAL WIRING DIAGRAM
MOTOR DRIVEN
TAPE WINDER**

TW 200**
TW 201**
TW 203**
TW 204**

APPROVALS

D AND R	E OF M
<i>HJK</i>	<i>[Signature]</i>
E-NUMBER	
PROD. NO. 2632 WD	
DATE: 4-19-50	
P.D. FILE NO. 21-45AAA	
DRAWN. K.F.L.	CHKD.
ENG. L.U.S.	APPD.

TELETYPE CORPORATION

2632 WD

RTTY ELECTRONICS
TELETYPE=Sales-Service-Parts
PO Box 20101 El Sobrante, Ca.
94820. (510)222-3102
mr_rtty@pacbell.net