
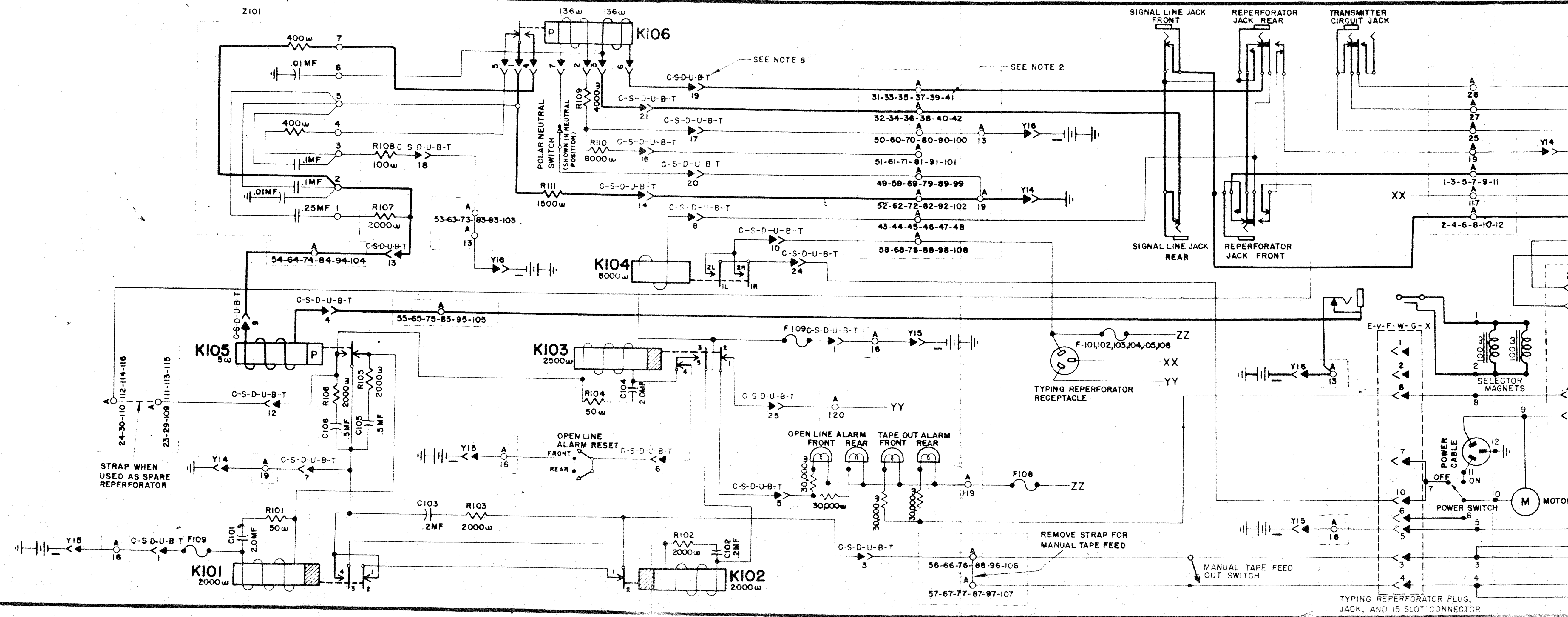


NO	NOTES
1.	FOR ACTUAL WIRING DIAGRAM OF AC261 SEE 2799WD.
2.	SEQUENCES REPRESENT CIRCUITS 1 THROUGH 6 RESPECTIVELY.
3.	CONNECTORS ARE SHOWN FROM SLOT AND PRONG END
4.	CIRCUIT DESIGNATIONS ARE AS FOLLOWS: A-120 POINT TERMINAL BLOCK. Y-RECTIFIER RECEPTACLE D.C.
5.	TYPES OF RELAYS ARE DESIGNATED AS FOLLOWS:  SLOW RELEASE RELAY HEEL END SLUG POLAR RELAY RELAY CONTACTS ARE NUMBERED FROM COIL OUT.
6.	HEAVY LINES INDICATE SIGNAL CIRCUITS-LOCAL AND EXTERNAL.
7.	FOR ACTUAL WIRING DIAGRAM OF RELAY GROUP 128289, SEE 2797WD. FOR ACTUAL WIRING DIAGRAM OF FPR 75, SEE 3147WD.
8.	C-S-D-U-B-T- RELAY GROUP 27 SLOT CONNECTORS. C IS CONNECTOR DESIGNATION FOR CIRCUIT 1, S FOR CIRCUIT 2, D FOR CIRCUIT 3, ETC. E-V-F-W-G-X- TYPING REPERFORATOR 15 SLOT CONNECTOR. E IS CONNECTOR DESIGNATION FOR CIRCUIT 1, V FOR CIRCUIT 2, F FOR CIRCUIT 3, ETC.

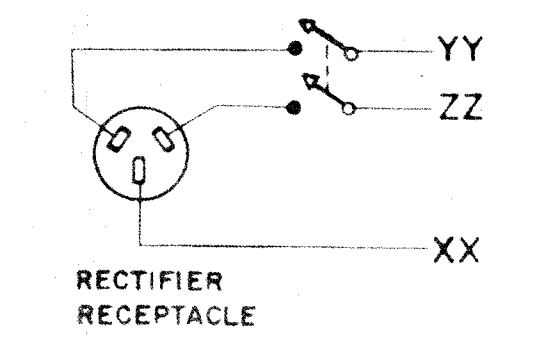
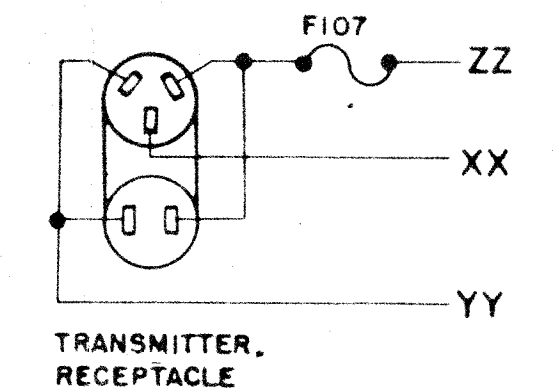
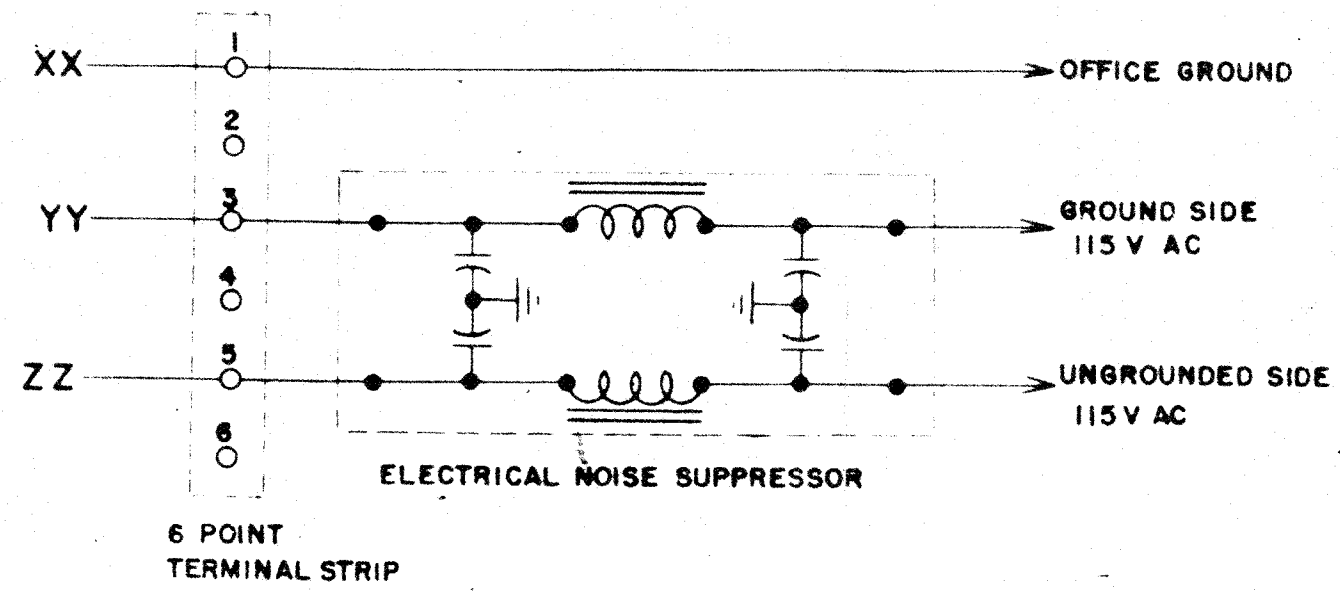
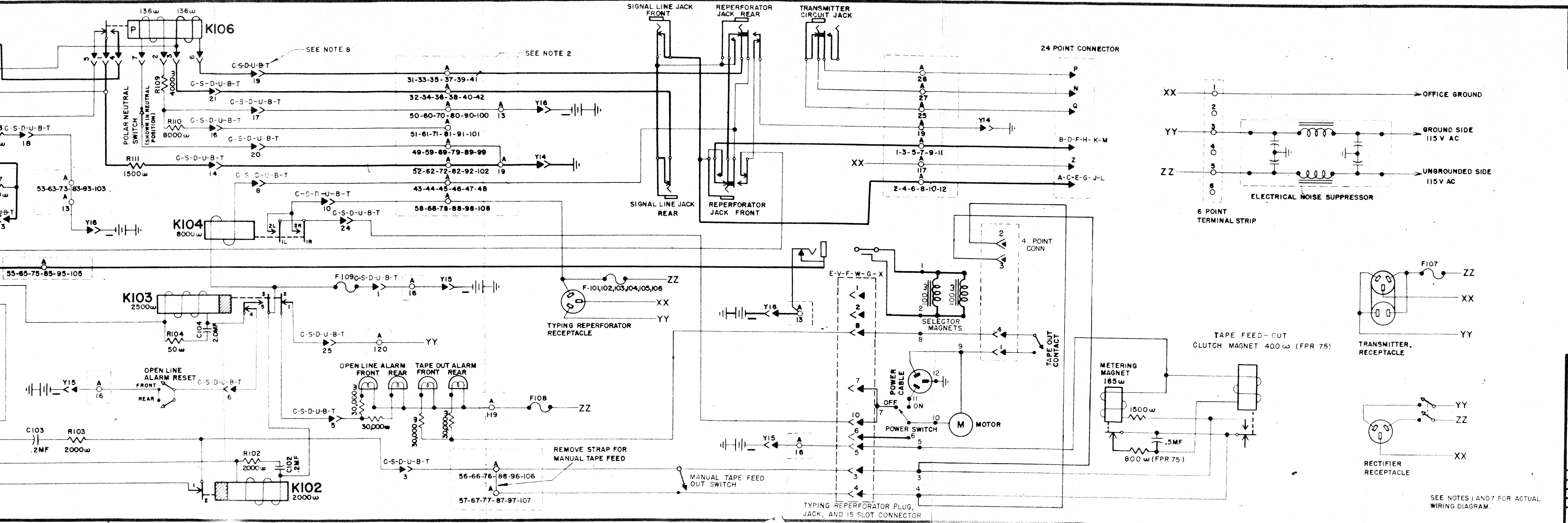
RTTY ELECTRONICS
TELETYPE-Sales-Service-Parts
PO Box 20101 El Sobrante, Ca.
94820. (510)222-3102
mr_rtty@pacbell.net



PH 15

TYPING REPERFORATOR PLUG, JACK, AND 15 SLOT CONNECTOR

REVISIONS	
A	11-1-55 62051



SEE NOTES 1 AND 7 FOR ACTUAL WIRING DIAGRAM.

3149 WB
4-18-55

SCHEMATIC FOR
RECEIVING CABINET AC261
WITH ASSOCIATED EQUIPMENT

DRAWN NKG APPROVED
ENG'R D.D.H.
CHECKED [Signature]
FILE 8-A2AA

TELETYPE CORPORATION