

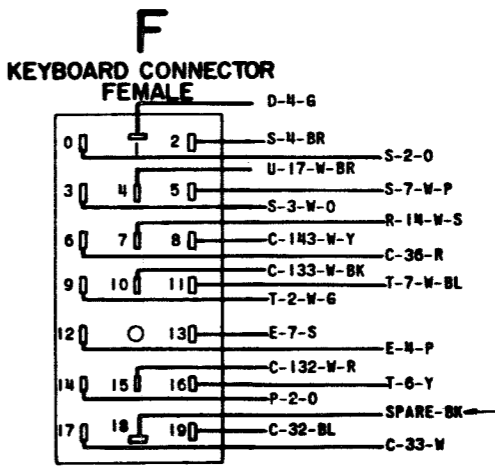
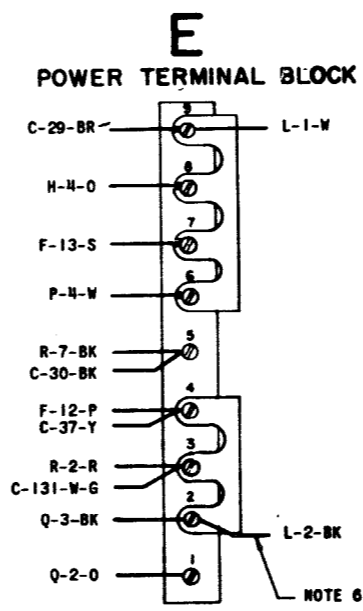
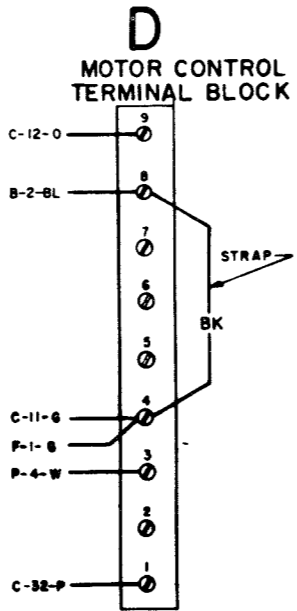
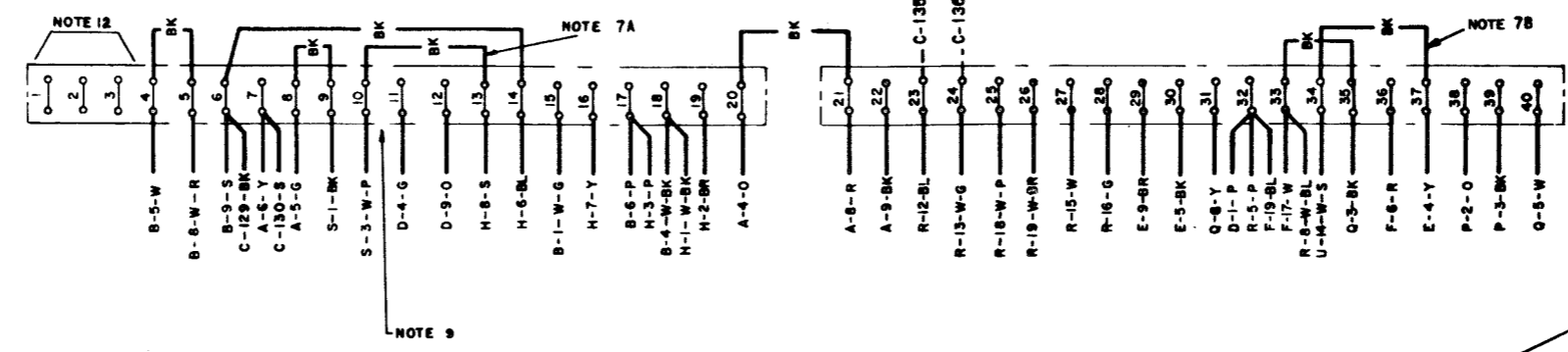
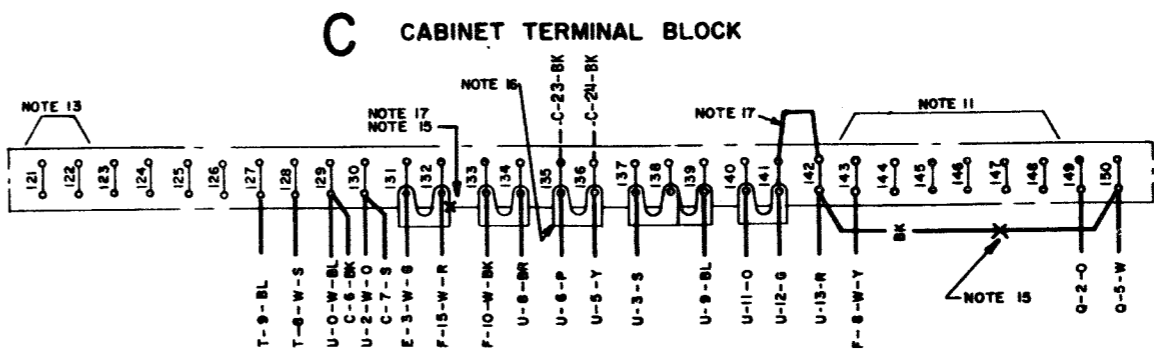
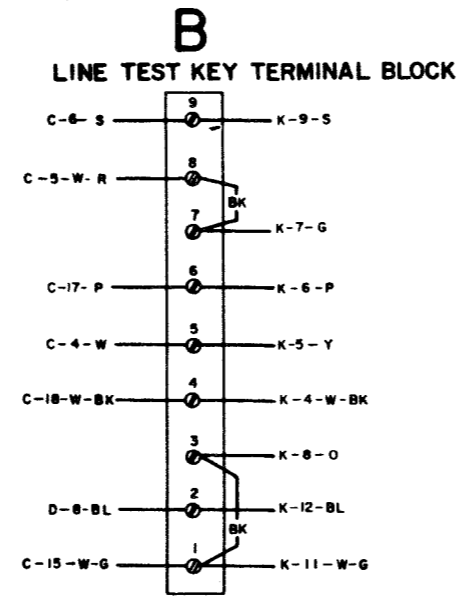
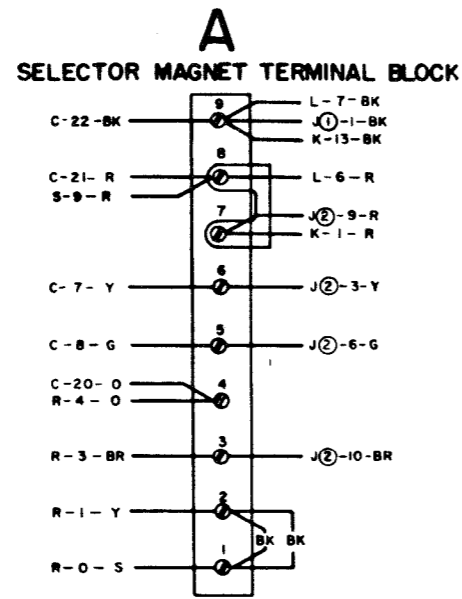


REVISIONS

ISSUE	DATE	AUTH. NO.
14	3-28-62	89762-1
15	2-11-64	79910
16	8-28-64	82637
17	10-26-64	83790
18	2-26-65	86062
19	4-7-66	90222

NOTE: REVISION INFORMATION MUST ALSO BE REFLECTED ON THE ISSUE CONTROL RECORD, WHICH IS A PART OF THIS DRAWING.

1. WIRING LEGEND:  
 DISTANT TERMINATING AREA  
 DISTANT TERMINATING DESIGNATION  
 WIRE COLOR CODE
2. COLOR CODE:  
 BK - BLACK G - GREEN  
 BR - BROWN BL - BLUE  
 R - RED P - PURPLE  
 O - ORANGE W - WHITE  
 Y - YELLOW S - SLATE
3. UNIT WIRED FOR 115 VOLTS, 50 TO 60 CYCLE A.C. POWER INPUT ONLY.
4. CONNECTORS VIEWED FROM SOLDER TERMINAL ENDS.
5. CIRCUITS SHOWN FOR .050 AMP. NEUTRAL SIGNAL LINE OPERATION. FOR .020 AMP. OPERATION, REMOVE AND ADD CONNECTIONS AS TABULATED BELOW:
- | SIGNAL LINE CURRENT | CONNECTIONS REMOVED | CONNECTIONS ADDED |
|---------------------|---------------------|-------------------|
| .020 AMP.           | J1-K2, J1-J2        | J1-J3, J1-N       |
6. RECTIFIER SHOWN CONTROLLED BY POWER SWITCH.  
 A. FOR CONTINUOUS OPERATION, REMOVE LEAD L-2-BK FROM TERMINAL E-2 AND CONNECT TO TERMINAL E-1.  
 B. FOR OPERATION FROM MOTOR CONTROL, REMOVE LEAD L-2-BK FROM TERMINAL E-2 AND CONNECT TO TERMINAL E-3.
7. LINE SHUNT RELAY SHOWN CONTROLLED BY POWER SWITCH AND SHUNTING LINE RELAY COIL AND KEYBOARD AND TRANSMITTER DISTRIBUTOR SIGNAL GENERATOR.  
 A. IF KEYBOARD SHUNTING IS NOT DESIRED, OR WHEN SIGNAL LINE BREAK SWITCH IS PRESENT, REMOVE THE BLACK STRAP CONNECTED BETWEEN TERMINALS C-10 AND C-13 AND CONNECT TERMINALS C-9 AND C-13.  
 B. FOR DIRECT CONTROL OF THE LINE SHUNT RELAY FROM THE POWER SWITCH, REMOVE STRAP BETWEEN TERMINALS C-34 AND C-37 AND CONNECT TERMINALS C-34 AND C-36. TERMINAL C-13 MAY THEN BE CONNECTED TO EITHER TERMINALS C-9, C-10, C-11 OR C-15 TO OBTAIN THE DESIRED SHUNTING OF THE SIGNAL LINE CIRCUIT.
8. THE SPARE LEADS FROM THE KEYBOARD AND TRANSMITTER DISTRIBUTOR UNITS CONNECTORS ARE TERMINATED IN THE RIGHT END OF THE ELECTRICAL SERVICE UNIT. THE SPARE LEADS FROM THE TYPING UNIT CONNECTORS ARE TERMINATED IN THE LEFT END OF THE ELECTRICAL SERVICE UNIT.
9. ADD STRAP BETWEEN C-10 AND C-11, IF SIGNAL LINE BREAK SWITCH IS NOT USED.
10. SPARE LEADS FROM F-18 AND U-18 ARE RESERVED FOR POLAR OPERATION OF KEYBOARD AND TRANSMITTER DISTRIBUTOR SIGNAL GENERATORS.
11. TERMINALS C-143 TO C-148 ARE RESERVED FOR CABINET LAMP OPERATION.
12. TERMINALS C1-C3 RESERVED FOR CUSTOMER USE.
13. TERMINALS C-121 - C-122 RESERVED FOR PERFORATOR LOW-TAPE SWITCH.
14. CONTACTS SHOWN IN UNOPERATED OR DE-ENERGIZED POSITION.
15. WHEN LXD IS USED IN PLACE OF LXD, MAKE THE FOLLOWING CHANGES:  
 OMIT CONNECTIONS ADD CONNECTIONS  
 C-142 TO C-150  
 C-131 TO C-132
16. WHEN LXD5 IS USED, REMOVE THE STRAP BETWEEN TERMINALS C-135 - C-136. ADD TWO STRAPS, ONE BETWEEN TERMINALS C-23 - C-135 AND ONE BETWEEN C-24 - C-136
17. WHEN THE LXD II IS USED DO NOT INSTALL STRAPS BETWEEN TERMINALS C141 AND C142 OR C131 AND C132. THE INTERNAL CLUTCH MAGNET INPUT SHOULD BE CONNECTED TO TERMINALS C132 & C141. RESISTANCE PER COIL 810 OHMS



TO CABINET GROUND SCREW

ELECTRICAL SERVICE UNIT GROUND SCREW

SEE ISSUE CONTROL RECORD FOR COMPLETE LIST OF SHEETS COMPRISING THIS WD.

SHEET 1

ACTUAL WIRING DIAGRAM FOR MODEL 28 ELECTRICAL SERVICE UNIT ASR - 6P - OPT. IAC LESU13

APPROVALS

D AND R	E OF M
---------	--------

E-NUMBER

PROD. NO. 3292WD

DATE 10-10-66

P.D. FILE NO. 27-A.65.AA

DRAWN E.K.S. CHKD. R.D.

ENSD. N.S.P. APPD.

TELETYPE CORPORATION

3292WD

TELETYPE ELECTRONICS  
 TELETYPE-Sales-Service-Parts  
 PO Box 20101 El Sobrante, Ca.  
 94820. (510)222-3102  
 mr\_rtty@pacbell.net

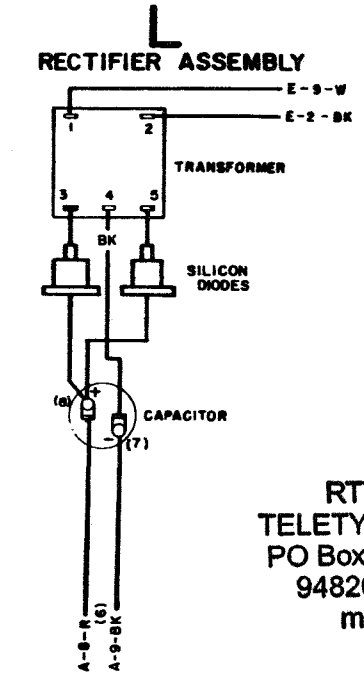
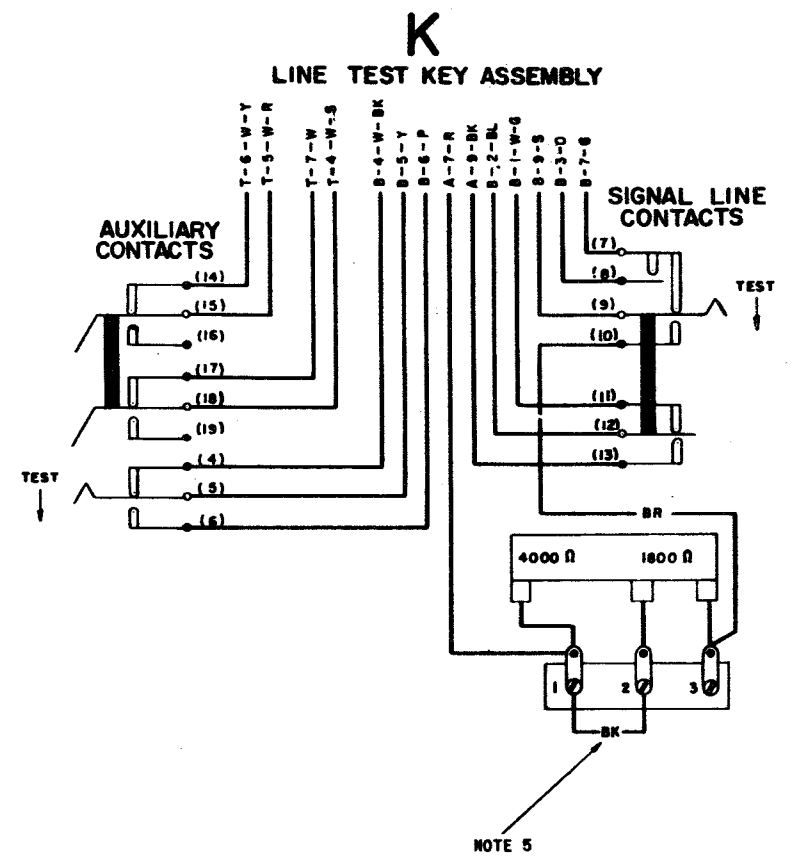
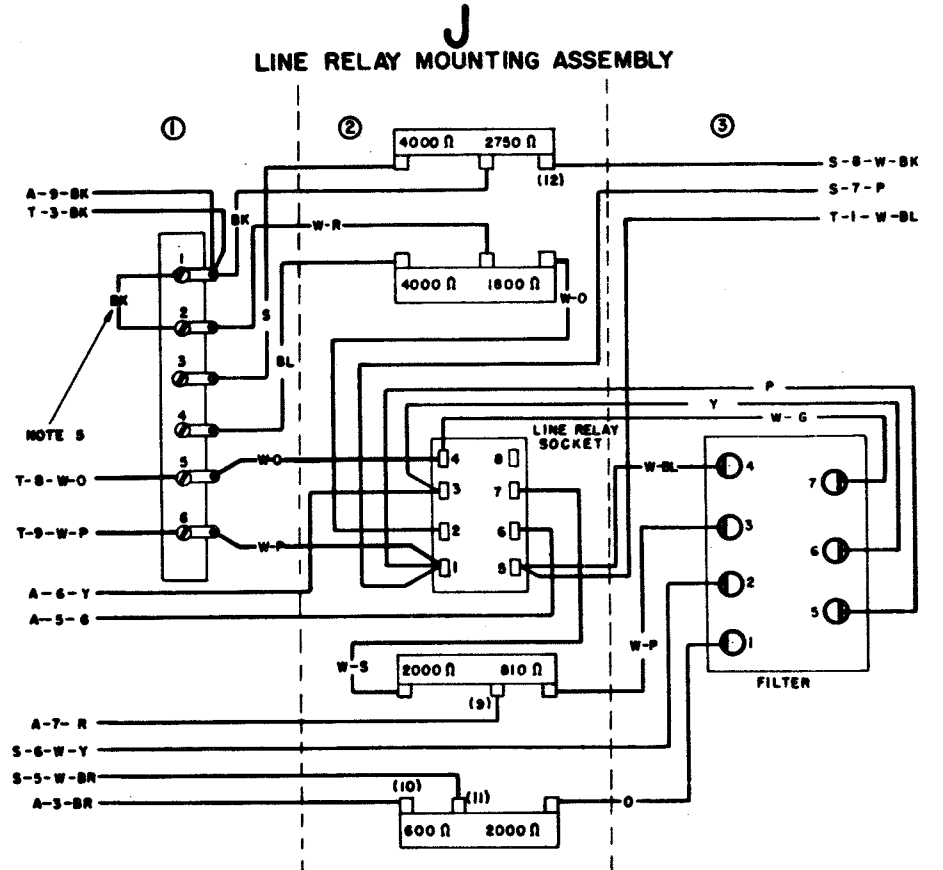
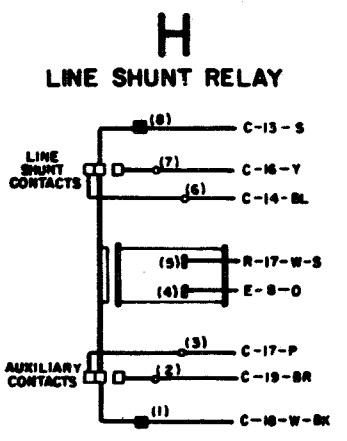
SEE SHEET 1 FOR NOTES.

**3292WD**

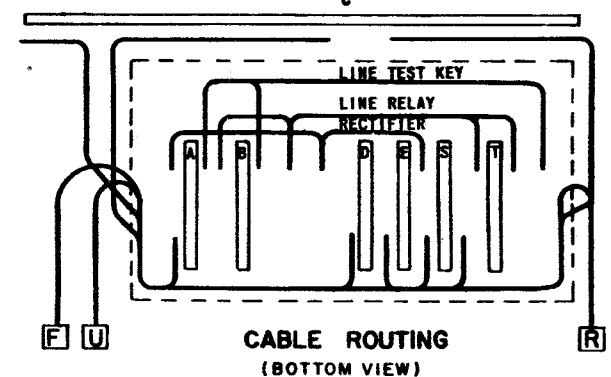
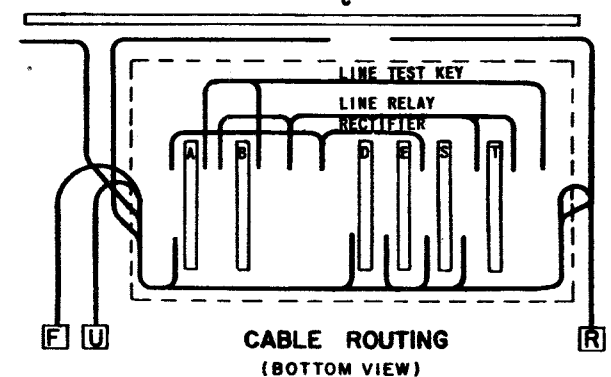
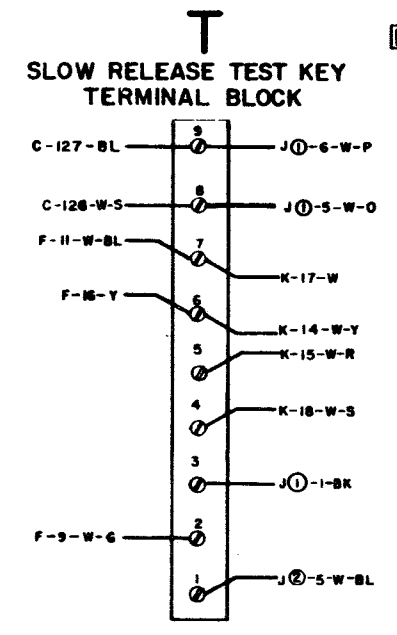
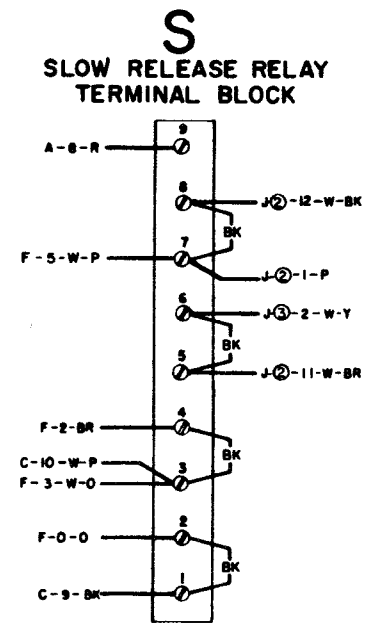
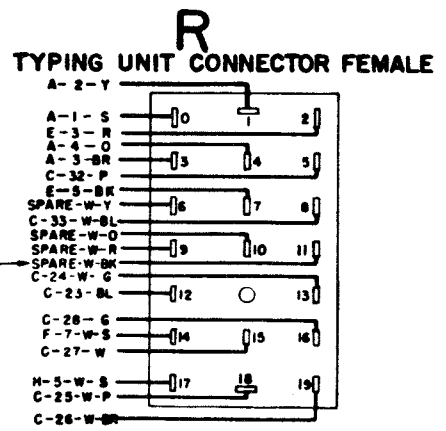
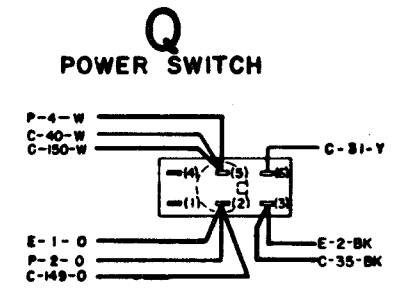
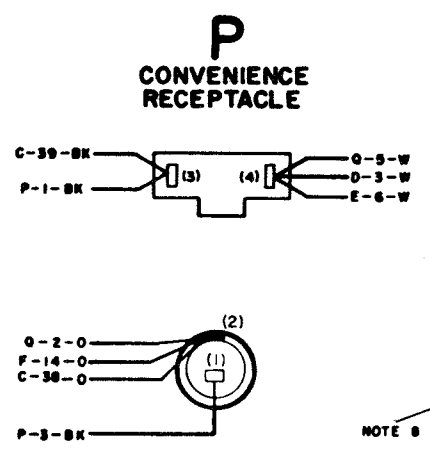
**REVISIONS**

ISSUE	DATE	AUTH. NO.
14	3-28-62	69782-1
15	2-11-64	79910
16	8-28-64	82637
17	10-26-64	83790
18	2-26-65	85062
19	4-7-66	90222

NOTE:  
REVISION INFORMATION MUST  
ALSO BE REFLECTED ON THE  
ISSUE CONTROL RECORD, WHICH  
IS A PART OF THIS DRAWING.



RTTY ELECTRONICS  
TELETYPE=Sales-Service-Parts  
PO Box 20101 El Sobrante, Ca.  
94820. (510)222-3102  
mr\_rtty@pacbell.net



SEE ISSUE CONTROL RECORD FOR COMPLETE LIST OF SHEETS COMPRISING THIS W.D. SHEET 2

ACTUAL  
WIRING DIAGRAM  
FOR  
MODEL 28  
ELECTRICAL  
SERVICE UNIT  
ASR - GP - OPT. IAC  
LESU13

**APPROVALS**

D AND R	E OF M
---	---

**E-NUMBER**  
PROD. NO. 3292WD  
**DATE** 10-10-66  
**P.D. FILE NO.** 27-A.65.AA  
**DRAWN** E.K.S. **CHKD.** R.D.  
**ENGD.** H.S.P. **APPD.**

**TELETYPE CORPORATION**

**3292WD**