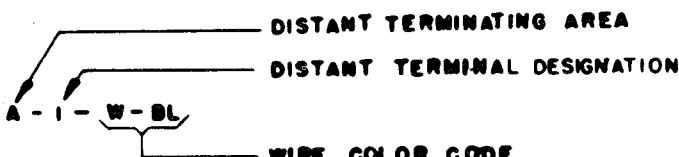
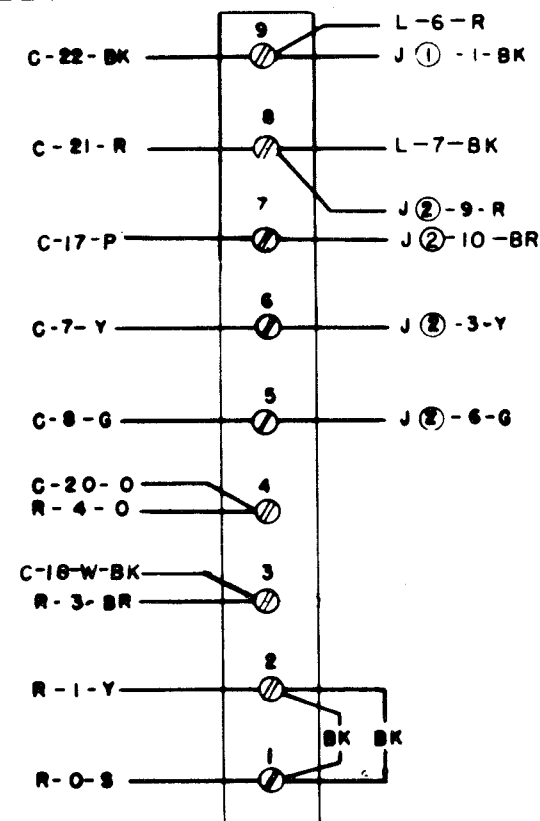


NO	NOTES																				
1.	WIRING LEGEND: 																				
2.	COLOR CODE <table border="0" style="width: 100%;"> <tr> <td>BK - BLACK</td> <td>W-BK - WHITE - BLACK</td> </tr> <tr> <td>BR - BROWN</td> <td>W-BR - WHITE - BROWN</td> </tr> <tr> <td>R - RED</td> <td>W-R - WHITE - RED</td> </tr> <tr> <td>O - ORANGE</td> <td>W-O - WHITE - ORANGE</td> </tr> <tr> <td>Y - YELLOW</td> <td>W-Y - WHITE - YELLOW</td> </tr> <tr> <td>G - GREEN</td> <td>W-G - WHITE - GREEN</td> </tr> <tr> <td>BL - BLUE</td> <td>W-BL - WHITE - BLUE</td> </tr> <tr> <td>P - PURPLE</td> <td>W-P - WHITE - PURPLE</td> </tr> <tr> <td>W - WHITE</td> <td>W-S - WHITE - SLATE</td> </tr> <tr> <td>S - SLATE</td> <td></td> </tr> </table>	BK - BLACK	W-BK - WHITE - BLACK	BR - BROWN	W-BR - WHITE - BROWN	R - RED	W-R - WHITE - RED	O - ORANGE	W-O - WHITE - ORANGE	Y - YELLOW	W-Y - WHITE - YELLOW	G - GREEN	W-G - WHITE - GREEN	BL - BLUE	W-BL - WHITE - BLUE	P - PURPLE	W-P - WHITE - PURPLE	W - WHITE	W-S - WHITE - SLATE	S - SLATE	
BK - BLACK	W-BK - WHITE - BLACK																				
BR - BROWN	W-BR - WHITE - BROWN																				
R - RED	W-R - WHITE - RED																				
O - ORANGE	W-O - WHITE - ORANGE																				
Y - YELLOW	W-Y - WHITE - YELLOW																				
G - GREEN	W-G - WHITE - GREEN																				
BL - BLUE	W-BL - WHITE - BLUE																				
P - PURPLE	W-P - WHITE - PURPLE																				
W - WHITE	W-S - WHITE - SLATE																				
S - SLATE																					
3.	UNIT WIRED FOR 115 VOLTS, 50 TO 60 CYCLE A.C. POWER INPUT ONLY.																				
4.	PLUGS VIEWED FROM SOLDER TERMINAL ENDS																				
5.	CIRCUITS SHOWN FOR .060 AMP. NEUTRAL SIGNAL LINE OPERATION. FOR .020 AMP. OPERATION REMOVE AND ADD CONNECTIONS AS TABULATED BELOW. <table border="1" data-bbox="150 1016 931 1133" style="width: 100%; margin-top: 10px;"> <thead> <tr> <th>SIGNAL LINE CURRENT</th> <th>CONNECTION REMOVED</th> <th>CONNECTIONS ADDED</th> </tr> </thead> <tbody> <tr> <td>.020 AMP</td> <td>J①1 - J①2,</td> <td>J①3 - J①4</td> </tr> </tbody> </table>	SIGNAL LINE CURRENT	CONNECTION REMOVED	CONNECTIONS ADDED	.020 AMP	J①1 - J①2,	J①3 - J①4														
SIGNAL LINE CURRENT	CONNECTION REMOVED	CONNECTIONS ADDED																			
.020 AMP	J①1 - J①2,	J①3 - J①4																			
6.	RECTIFIER SHOWN CONTROLLED BY POWER SWITCH. FOR CONTINUOUS OPERATION, REMOVE LEAD L-2 -BK FROM TERMINAL E-2 AND CONNECT TO TERMINAL E-1.																				
7.	LINE SHUNT RELAY SHOWN CONTROLLED BY POWER SWITCH. a. FOR KEYBOARD OPERATION TERMINAL 13 MAY BE CONNECTED TO EITHER TERMINAL C-9, C-10, C-11 OR C-15 TO OBTAIN DESIRED SHUNTING OF THE SIGNAL LINE CIRCUIT b. FOR RECEIVING ONLY BASES CONNECT C-10 TO C-11																				
8.	THE SPARE LEADS FROM THE KEYBOARD AND TYPING UNIT CONNECTOR PLUGS ARE TERMINATED IN THE RIGHT AND LEFT ENDS OF THE ELECTRICAL SERVICE UNIT RESPECTIVELY.																				
9.	FOR LESU 31 SPLICE AND TAPE SPARE LEADS AS FOLLOWS: F-9-W-Y TO R-6-W-Y, F-10-W-R TO R-9-W-R, F-11-W-BK TO R-11-W-BK, AND F-15-W-O TO R-10-W-O. CONNECT C-10 TO C-11																				

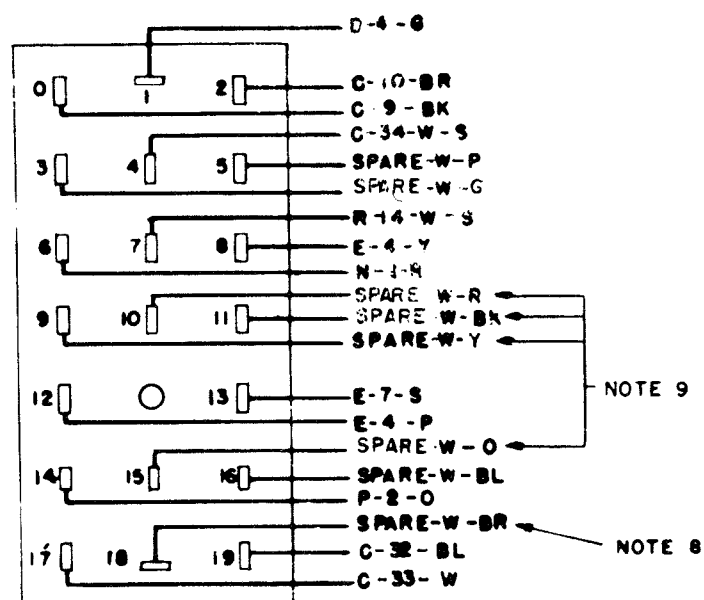
A

SELECTOR MAGNET TERMINAL BLOCK

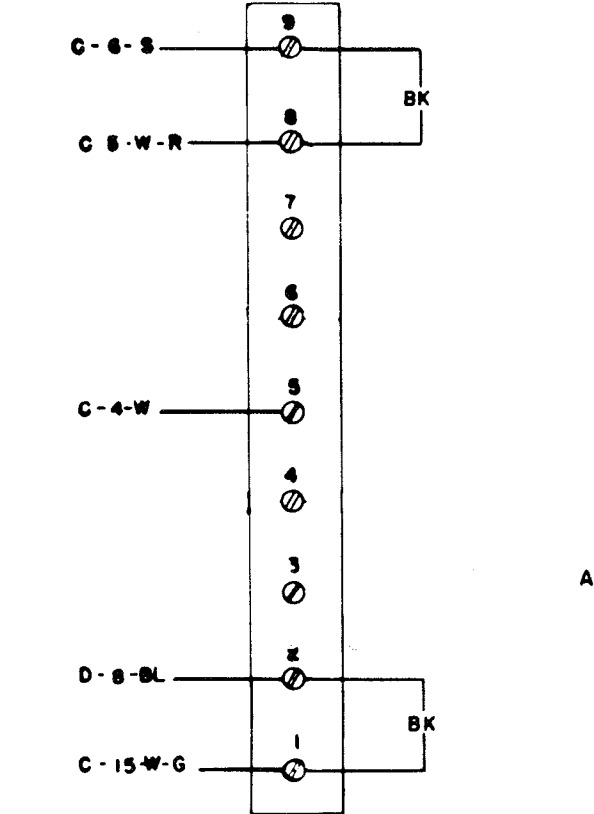


F

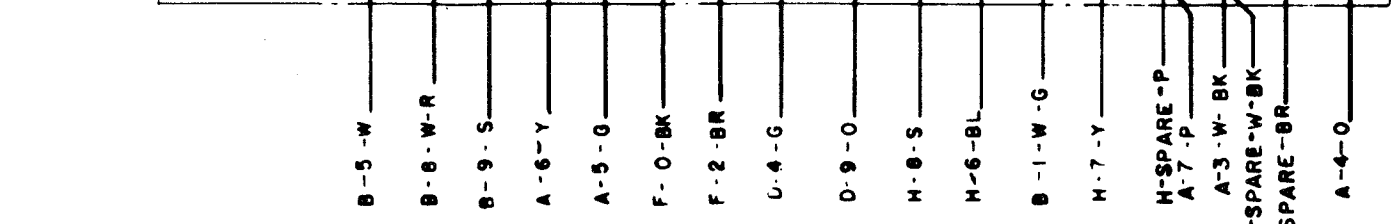
KEYBOARD CONNECTOR PLUG



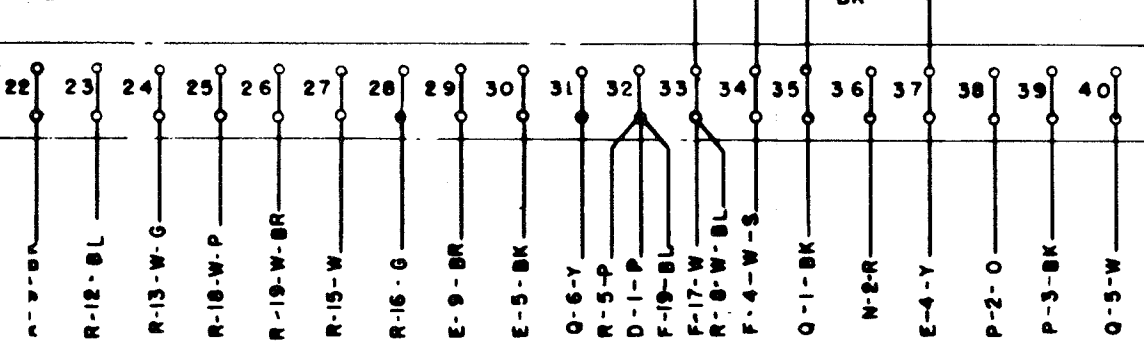
B LINE TEST KEY TERMINAL BLOCK



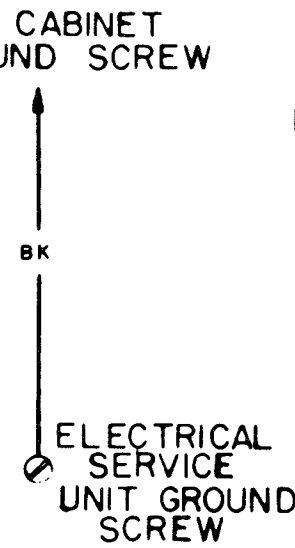
CABINET TERMINAL BLOCK



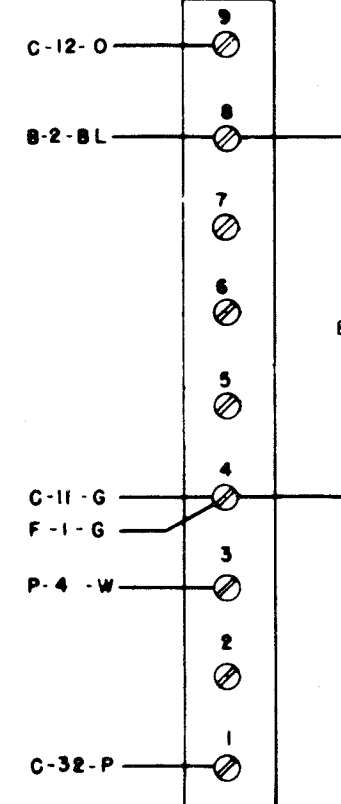
C CABINET TERMINAL BLOCK



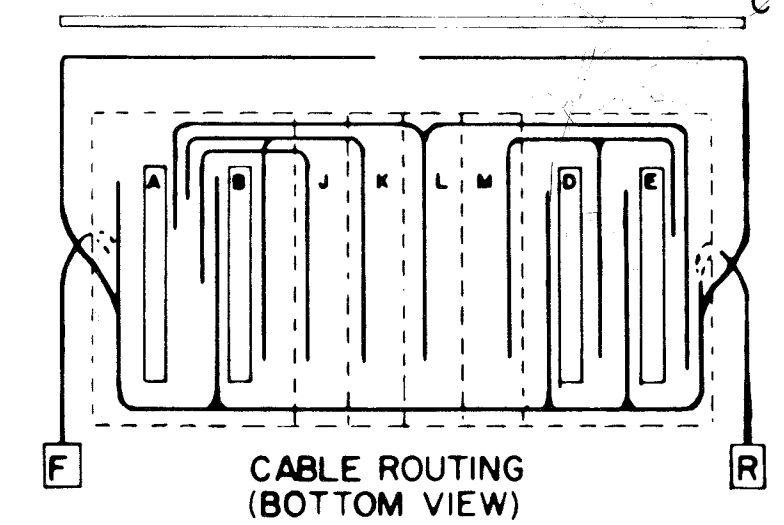
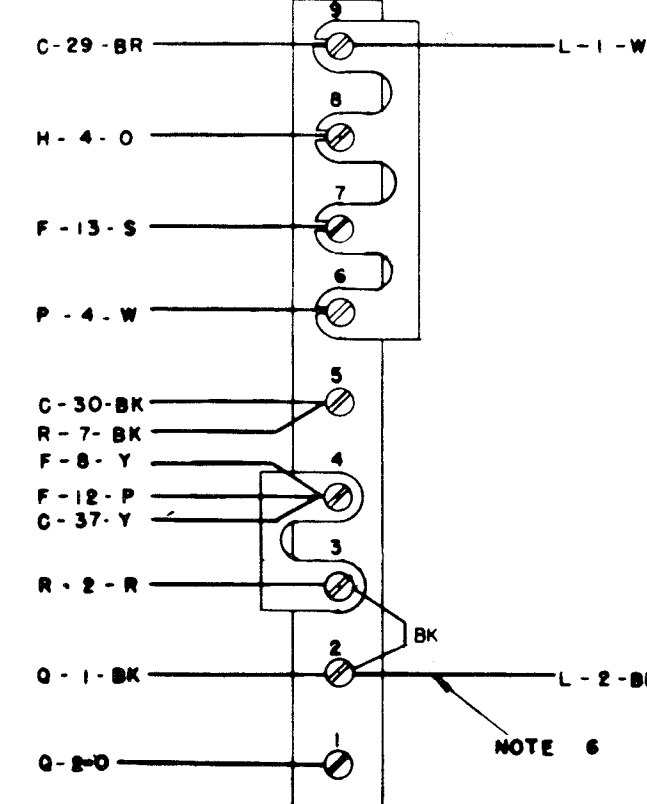
TO CABINET
GROUND
SCREW



D MOTOR CONTROL TERMINAL BLOCK



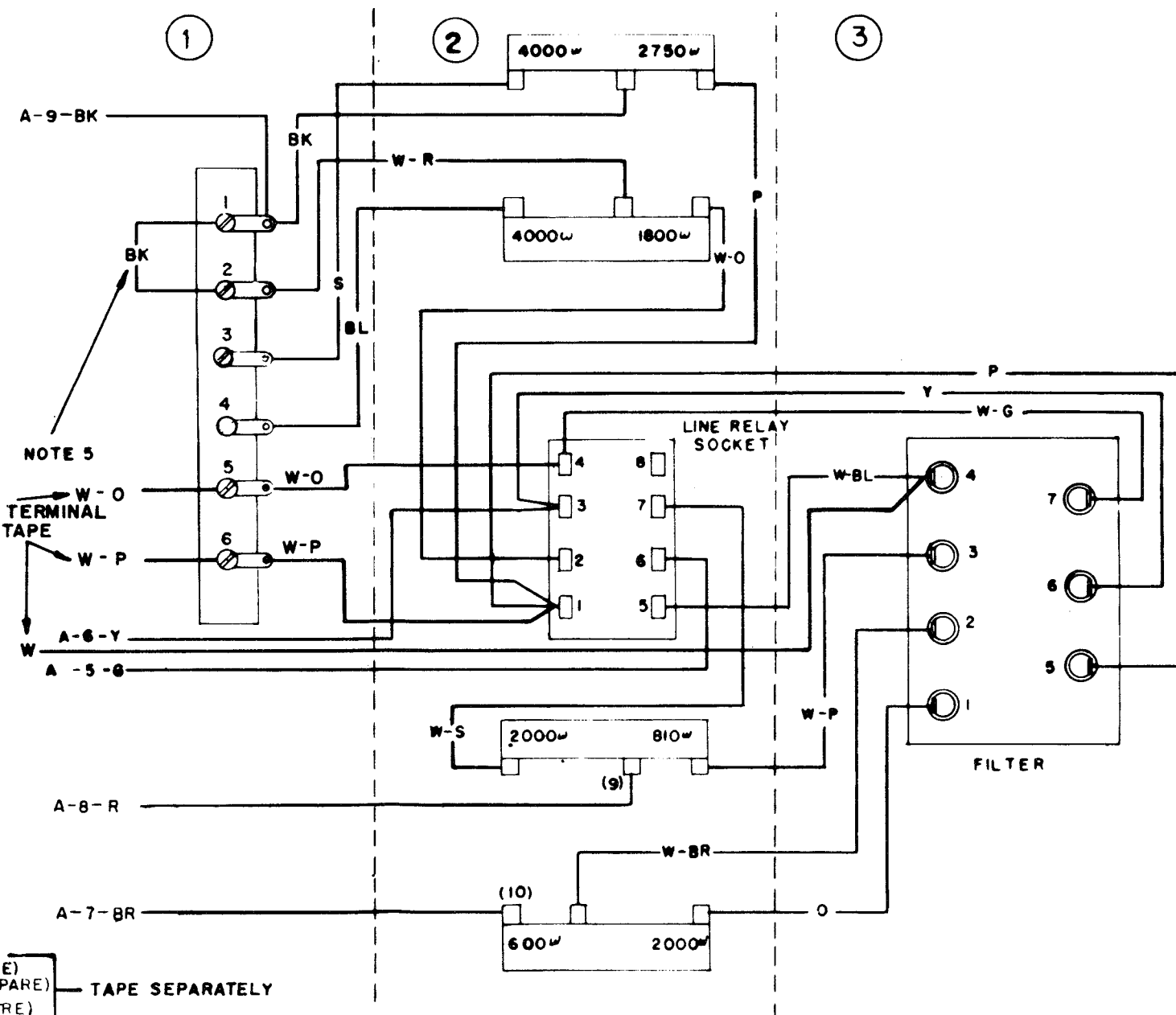
E POWER TERMINAL BLOCK



RTTY ELECTRONICS
TELETYPE=Sales-Service-Parts
PO Box 20101 El Sobrante, Ca.
94820. (510)222-3102
mr_rtty@pacbell.net

REVISIONS		
ISSUE	DATE	AUTH NO.
A	3-2-61	68781-28
B	12-7-61	71451
C	3-78-67	69768-14

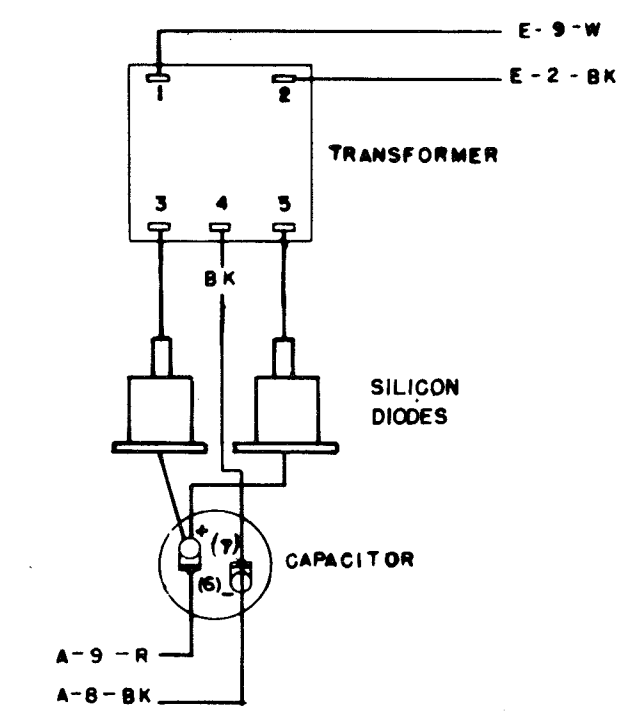
J 152623 LINE RELAY MOUNTING ASSEMBLY



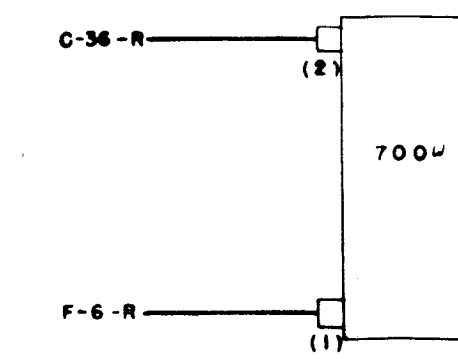
NOTE 5

TAPE SEPARATELY
C-17-P (SPARE)
C-18-W-BK (SPARE)
C-19-BR (SPARE)

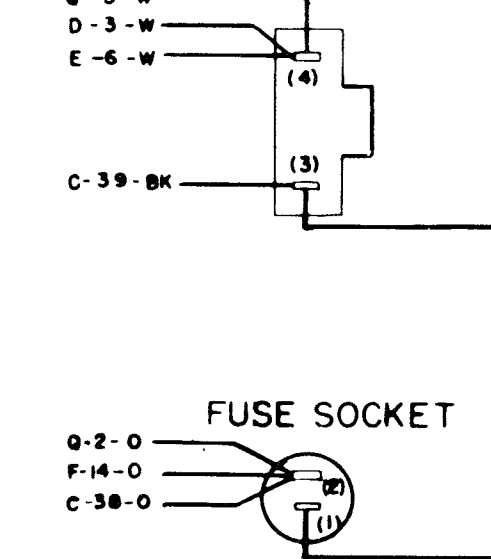
L 152950 RECTIFIER ASSEMBLY



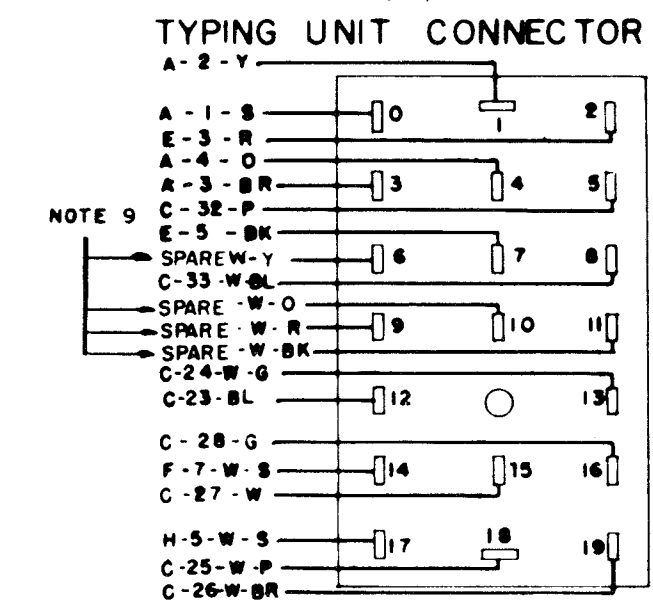
N MARGIN INDICATOR LAMP RESISTOR



P CONVENIENCE RECEPTACLE



R TYPING UNIT CONNECTOR PLUG



FOR SCHEMATIC SEE 3641 WD

3640 WD 12-19-58

ACTUAL
WIRING DIAGRAM
MODEL 28
ELECTRICAL
SERVICE UNIT
LESU 31

DRAWN: E.M. APPROVED:
ENGR: D.C.I.
CHECKED: [Signature]
FILE: G-159.65 AA
TELETYPE
CORPORATION