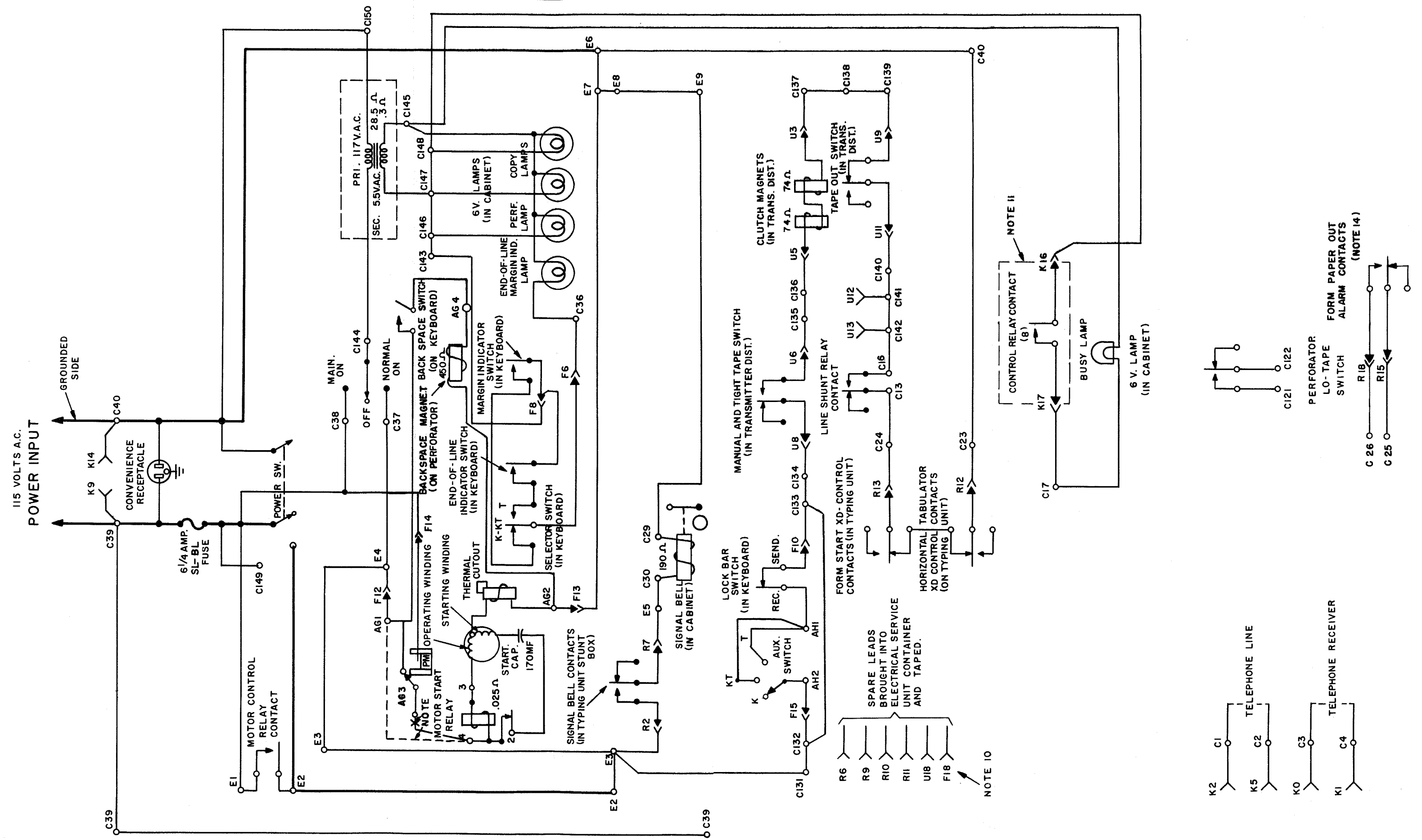
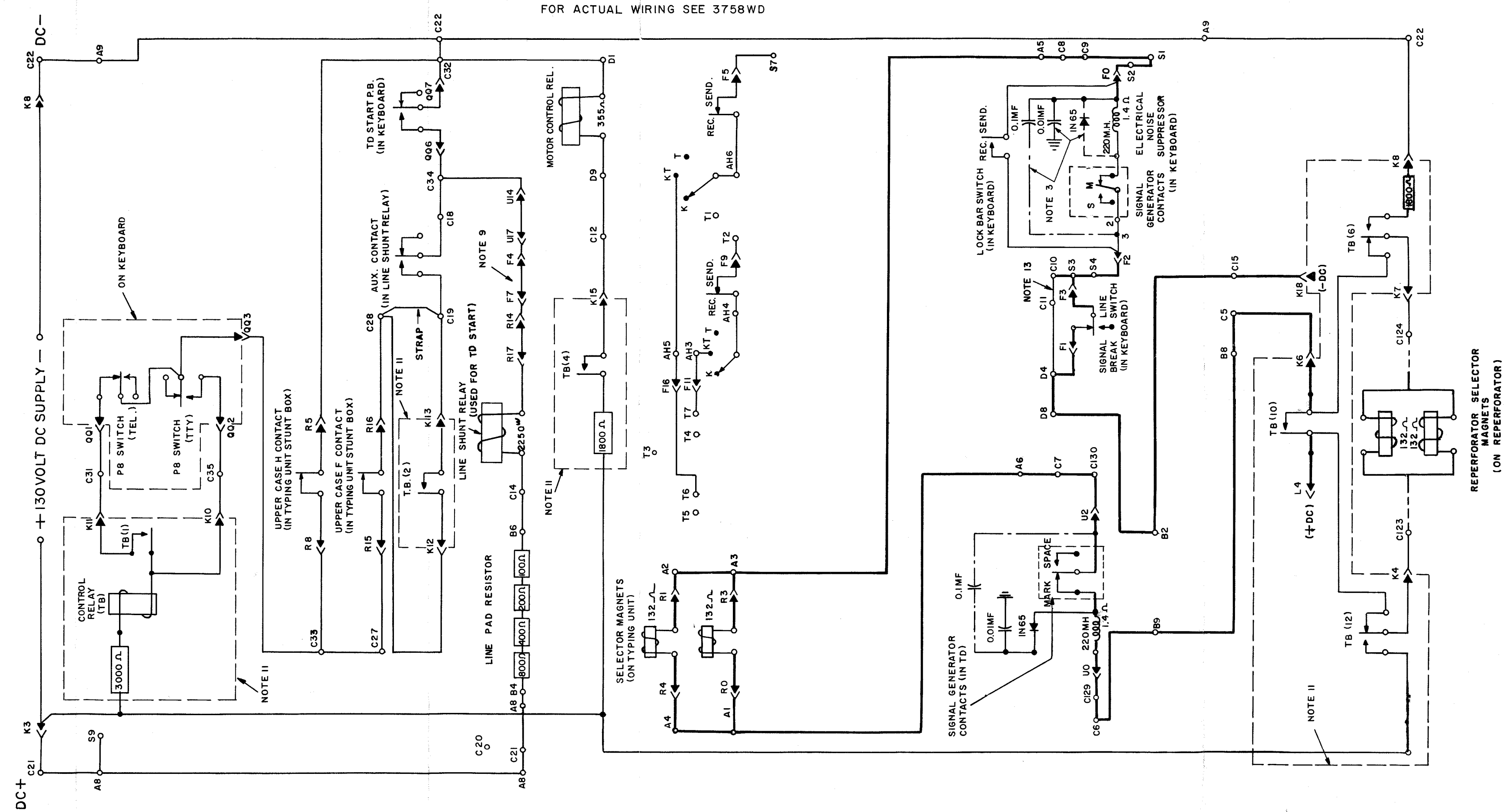
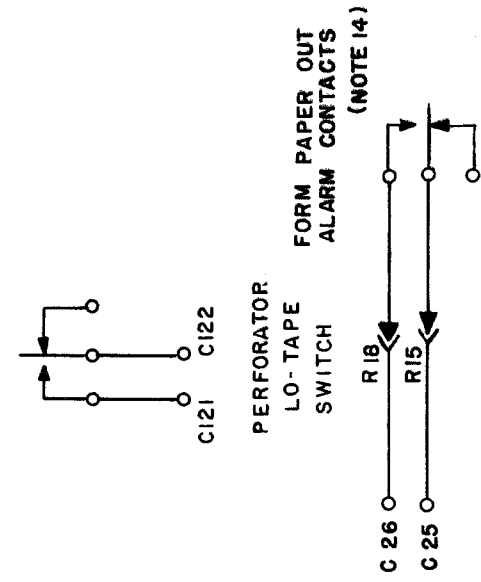
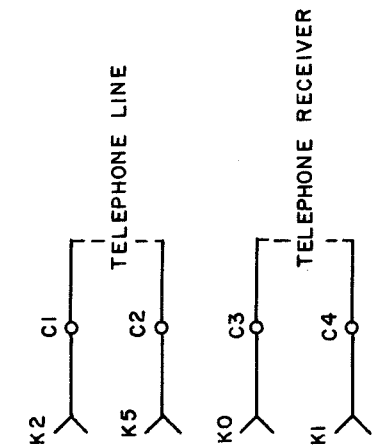


| NO. | NOTES |
|-----|--------------------------------------------------------------------------------------------------------------------------------------------------------------------------------------------------------------------------------------------------------------------------------------------------------------------------------------------------------------------------------------------------------------------------------------------------------------------------------------------------------------------------------------------------------------------------------------------------------------------------------------------------------------------------------------------------------------------------------------------------------------------------------------------------------|
| 1 | FOR ACTUAL WIRING DIAGRAMS OF INDIVIDUAL UNITS SEE: WD NUMBER UNITS DIRECTLY OPERABLE WITH LESU 44 3264WD CABINETS-LAAC 209 3758WD ELECTRICAL SERVICE UNIT LESU 44 3772WD KEYBOARDS-LAK 16 2900WD MOTOR UNITS-LMU 12 3762WD PAGE TYPING UNIT-LP69 3748WD RELAY PANEL ASSEMBLY |
| 2 | LEGEND: ○ A SELECTOR MAGNET TERMINAL BLOCK (IN LESU). ○ B LINE TEST KEY TERMINAL BLOCK (IN LESU). ○ C CABINET TERMINAL BLOCK. ○ D MOTOR CONTROL TERMINAL BLOCK (IN LESU). ○ E POWER TERMINAL BLOCK (IN LESU). △ F KEYBOARD CONNECTOR. ○ J ① TERMINAL STRIP (ON LINE RELAY ASSEM. IN LESU). △ J ② LINE RELAY CONNECTOR (IN LESU). ● J ③ LINE RELAY FILTER (IN LESU). ○ K TERMINAL STRIP (ON LINE TEST KEY IN LESU). △ R TYPING UNIT CONNECTOR. ○ S SLOW RELEASE RELAY TERMINAL BOARD (IN LESU). ○ T TEST SWITCH TERMINAL BOARD (IN LESU). △ U TRANSMITTER DISTRIBUTOR CONNECTOR. ○ AG MOTOR TERMINAL BLOCK (ON LAK). ○ AH AUXILIARY SWITCH TERMINAL BLOCK (ON LAK). △ Z TRANSMITTER DISTRIBUTOR CONNECTOR (LBXD). △ QQ 14 POINT CONNECTOR ON LESU |
| 3 | DOT DASH --- LINES INDICATE FILTERING, SHIELDING AND SUPPRESSION NETWORKS. |
| 4 | ALL APPARATUS IS SHOWN IN UNOPERATED OR DE-ENERGIZED POSITION. |
| 5 | a. RESISTANCE IN OHMS (Ω) b. INDUCTANCE VALUES IN MICROHENRIES (MH) c. CAPACITANCE VALUES IN MICROFARADS (MF) |
| 6 | CIRCUITS SHOWN FOR .060 AMP. NEUTRAL SIGNAL LINE OPERATION |
| 7 | a. USE POWER & SIGNAL LINE SUPPRESSOR AND SYNC. OR GOV.- FILT. MOTOR FOR INSTALLATIONS REQUIRING MINIMUM R.F. INTERFERENCE. b. FOR OTHER INSTALLATIONS, OMIT SUPPRESSORS AND CONNECT INPUTS AND GOV. MOTOR DIRECTLY TO TERMINALS SHOWN. |
| 8 | USE SYNCHRONOUS MOTOR ON REGULATED 60V (± 1%) A.C. POWER ONLY. GOVERNED MOTORS & OTHER POWER CIRCUITS OPERABLE ON 50 TO 60V UNREGULATED A.C. |
| 9 | IN ALL KEYBOARDS F4 MUST BE CONNECTED TO F7 IN ALL TRANS. DIST. U14 MUST BE CONNECTED TO U17 IN ALL TYPING UNITS R14 MUST BE CONNECTED TO R17 |
| 10 | SPACE LEADS FROM U18 AND F18 ARE RESERVED FOR POLAR OPERATION OF SIGNAL GENERATOR. |

| NO. | NOTES |
|-----|----------------------------------------------------------------------------------------------------------------------------------------------------------------------------------|
| 11 | COMPONENTS ENCLOSED IN DASHED BOX ARE PART OF ASSOCIATED CONTROL SET OF PARTS. |
| 12 | WHEN PAPER FEED OUT SWITCH IS NOT USED, DISCONNECT MOTOR LEAD FROM AG3 AND CONNECT TO AG1 |
| 13 | REMOVE STRAP FROM C10 TO C11 IF SIGNAL LINE BREAK SWITCH IS USED. |
| 14 | FORM PAPER OUT ALARM CONTACTS MAY BE MOUNTED ON EITHER THE TYPING UNIT OR EXTERNAL TO THE CABINET. IN THE LATTER EVENT, CONNECTIONS ARE MADE DIRECTLY TO TERMINALS C 25 AND C 26 |

RTTY ELECTRONICS
TELETYPE=Sales-Service-Parts
PO Box 20101 El Sobrante, Ca.
94820. (510)222-3102
mr_rtty@pacbell.net





FOR ACTUAL WIRING SEE 3758WD

3757WD

| REVISIONS | | |
|-----------|----------|-----------|
| ISSUE | DATE | AUTH. NO. |
| A | 11-19-59 | 28-12190 |
| B | 5-10-60 | 28-13112 |
| C | 5-23-60 | 28-12922 |
| D | 11-11-60 | 28-14103 |
| E | 3-28-62 | 69768-10 |
| F | 10-1-63 | 77302 |
| G | 11-27-63 | 78857 |

| APPROVALS | |
|-------------------|--------|
| D AND | B OF M |
| E-NUMBER | |
| PROD. NO. 3757 WD | |

SCHEMATIC WIRING DIAGRAM
MODEL 28
ASR - GP
WITH FACILITIES PROVIDED BY
ELECT. SERVICE UNIT
LESU 44
AND ASSOCIATED UNITS

| | |
|--------------------------|-------|
| DATE: | |
| P.D. FILE NO. 29-A 116AA | |
| DRAWN: | CHKD. |
| ENGD. | APPD. |

TELETYPE CORPORATION
3757WD