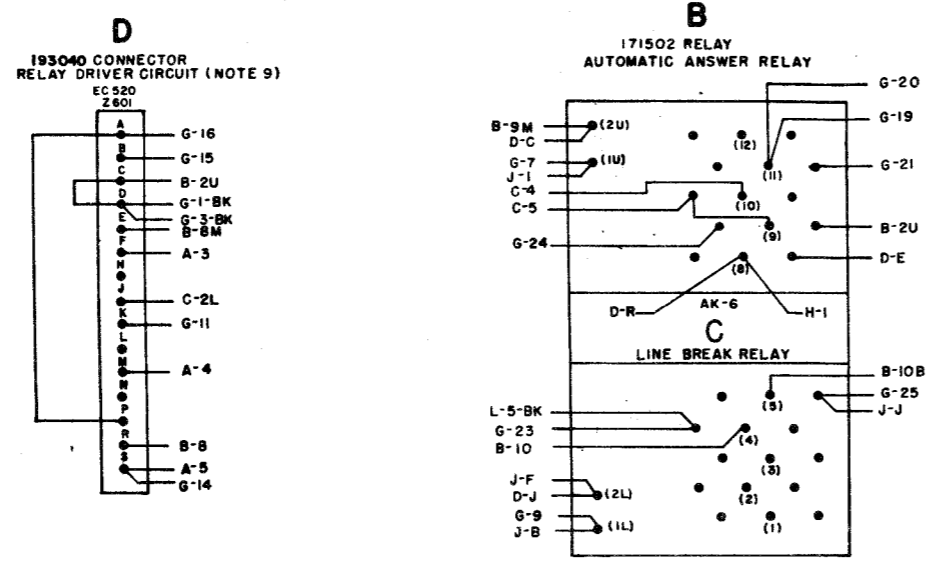


3842 WD		
REVISIONS		
ISSUE	DATE	AUTH. NO.
1	1-17-62	7223
2	2-28-62	7230
3	10-3-62	7232
4	5-11-64	8167

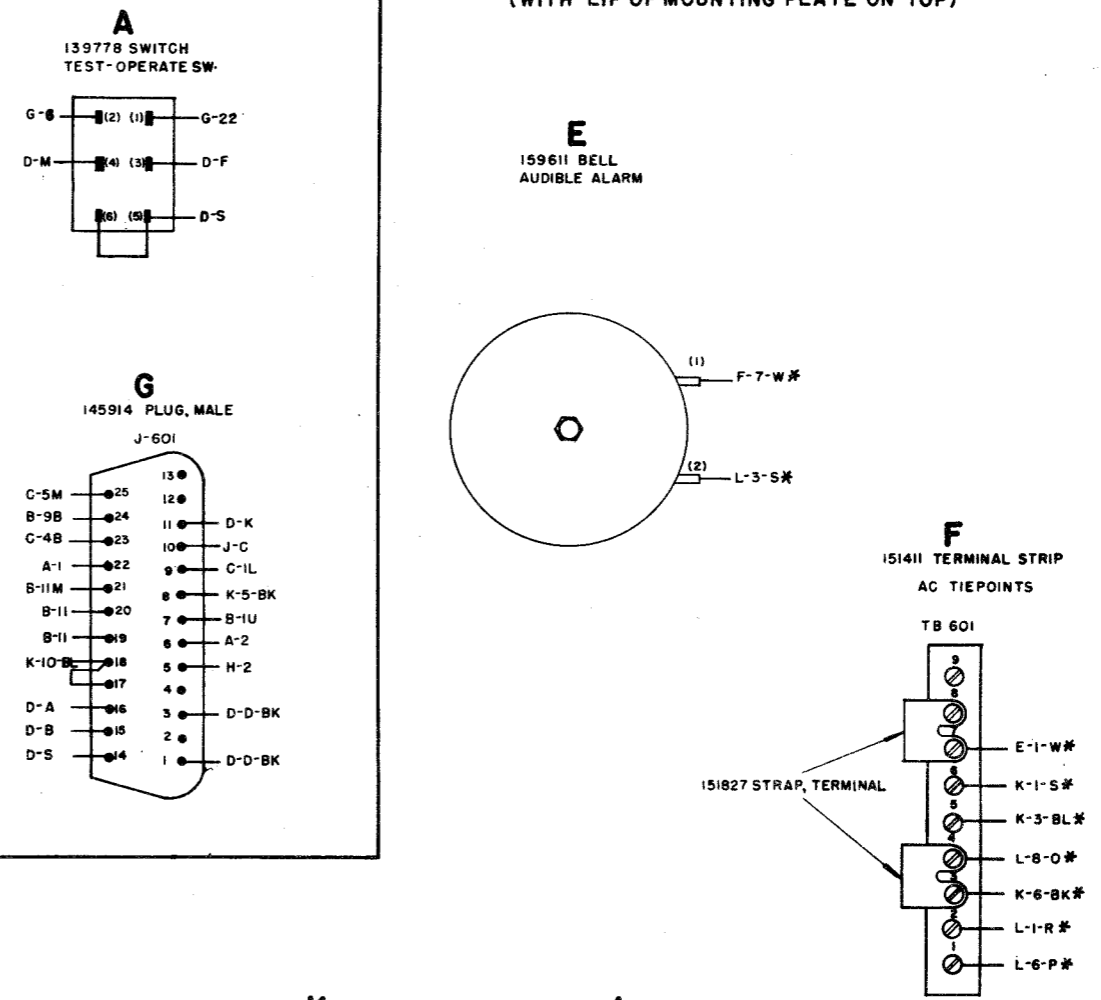
- NOTES
1. WIRING LEGEND:
  2. USE SLEEVING TO INSULATE WHERE NECESSARY
  3. USE 24GA. TYPE BG31704RM GREEN WIRE UNLESS OTHERWISE SPECIFIED
  4. \* DENOTES 18GA. WIRE
  5. COLOR CODE:  

BR BROWN	BL BLUE
BK BLACK	G GREEN
R RED	P PURPLE
O ORANGE	S SLATE
Y YELLOW	W WHITE
  6. FOR SCHEMATIC WIRING DIAGRAM REFER TO 3843WD
  7. NUMBERS IN ( ) NOT MARKED ON COMPONENTS
  8. ALL CONNECTIONS ARE SHOWN AS VIEWED FROM SOLDERED END
  9. REFER TO 3843WD

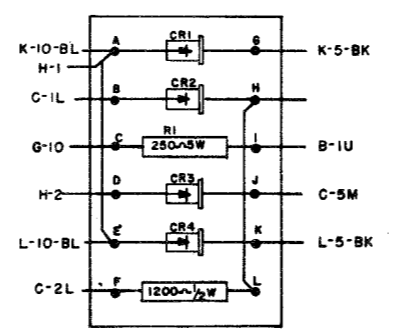
**BOTTOM VIEW**  
(WITH LIP OF MOUNTING PLATE ON TOP)



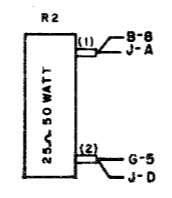
**TOP VIEW**  
(WITH LIP OF MOUNTING PLATE ON TOP)



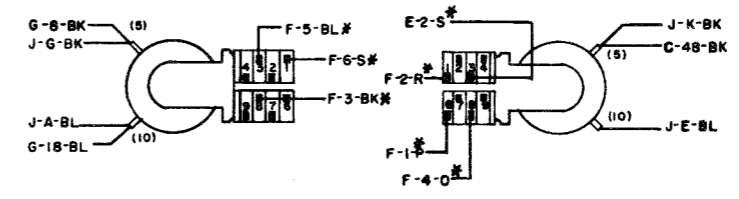
**J**  
165008 TURRET



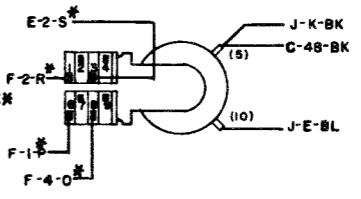
**H**  
135637 RESISTOR  
READER COIL RESISTOR



**K**  
146522 RELAY  
MOTOR START RELAY



**L**  
146522 RELAY  
ALARM RELAY



A 25/12 167/9 X103/4

RTTY ELECTRONICS  
TELETYPE=Sales-Service-Parts  
PO Box 20101 El Sobrante, Ca.  
94820. (510)222-3102  
mr\_rtty@pacbell.net

APPROVALS	
DAND	E OF M
E-NUMBER	
PROD. NO. 3842 WD	
ACTUAL WIRING DIAGRAM FOR DATASPEED LINE BREAK AND AUTOMATIC ANSWER (TRANSMITTER)	
DATE OCT 5, 1961	
RD FILE NO.	
DRAWN D-201 OWD	
TELETYPE CORPORATION	