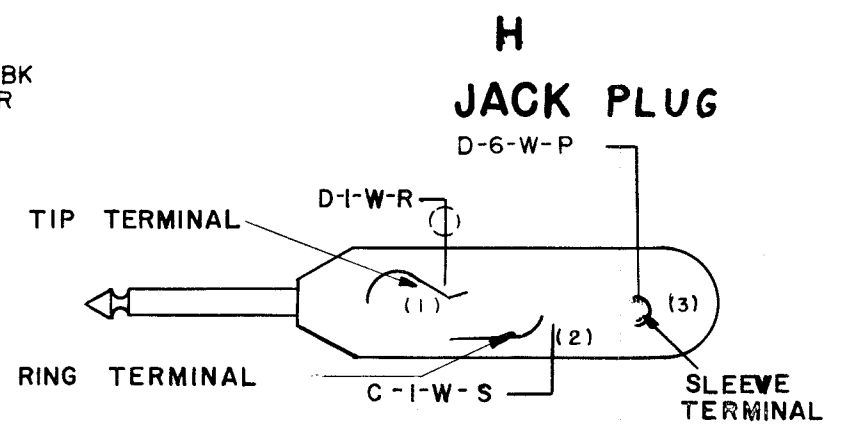
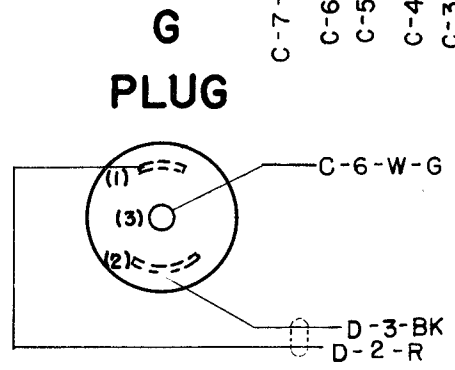
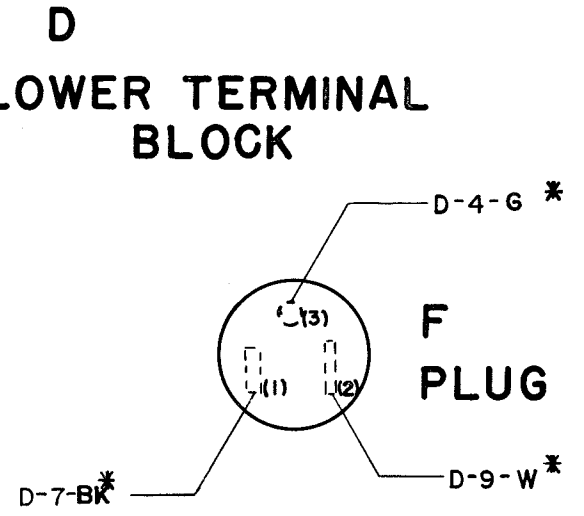
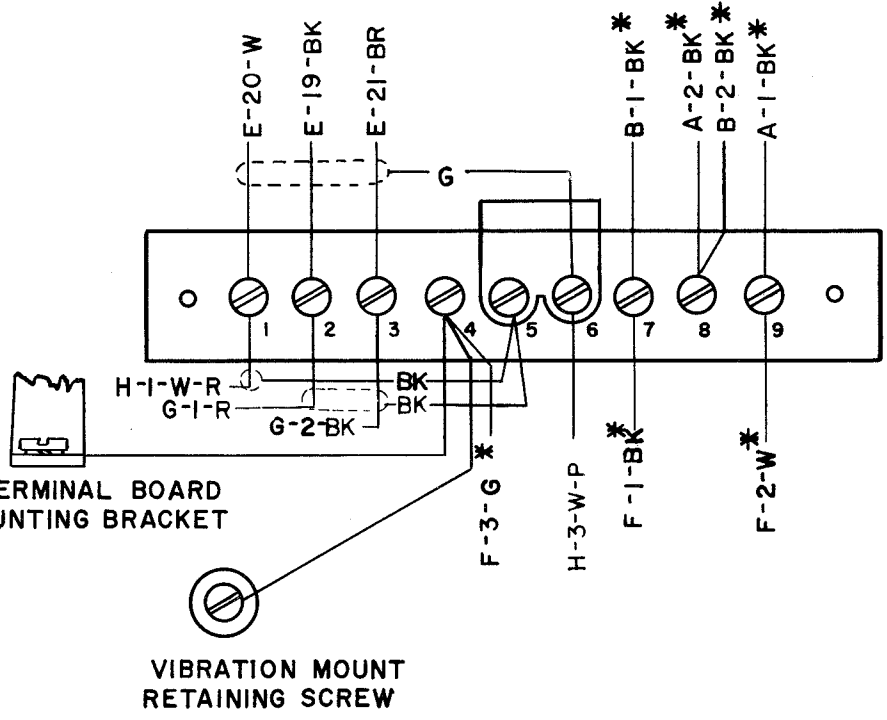
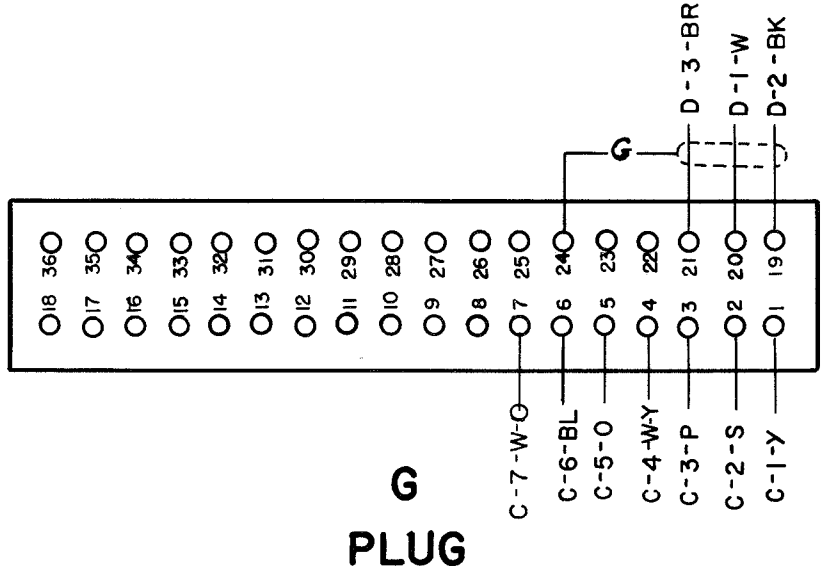
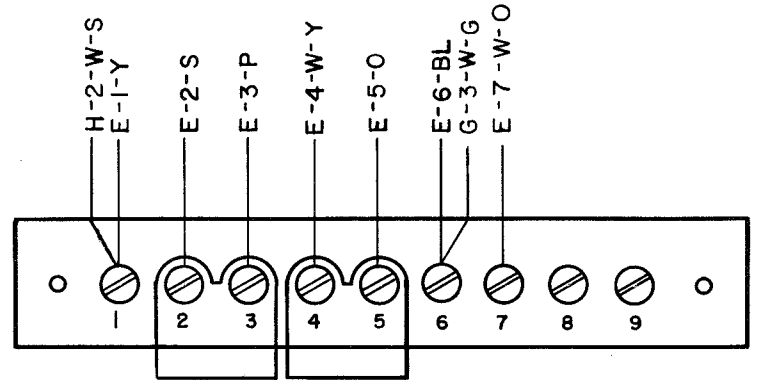
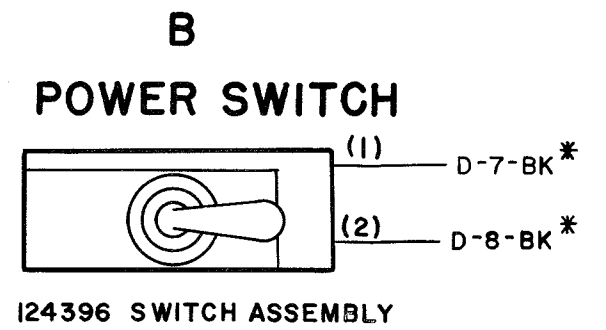
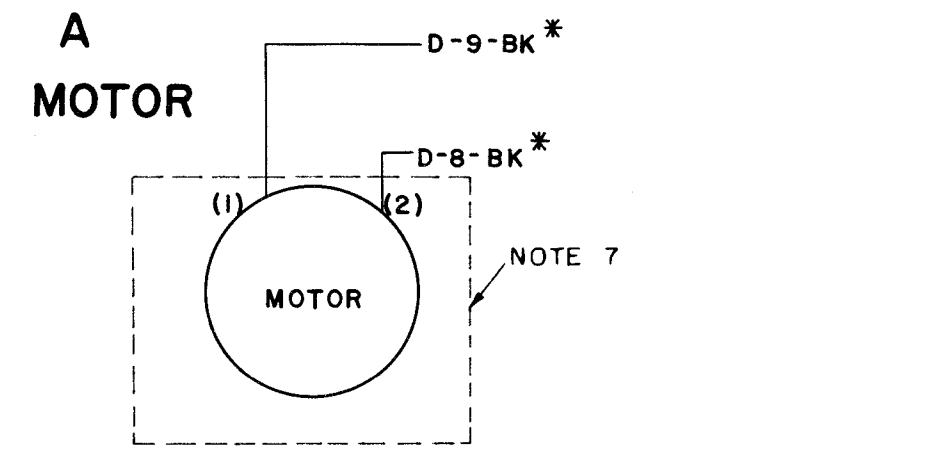


4301 WD		
REVISIONS		
A	9-16-60	CC-104
B	11-3-60	CC-153

- NOTES:**
- WIRING LEGEND:**
 - COLOR CODE:**

BK	BLACK	W-BK	WHITE	BLACK
BR	BROWN	W-BR	"	BROWN
R	RED	W-R	"	RED
O	ORANGE	W-O	"	ORANGE
Y	YELLOW	W-Y	"	YELLOW
G	GREEN	W-G	"	GREEN
BL	BLUE	W-BL	"	BLUE
P	PURPLE	W-P	"	PURPLE
W	WHITE	W-S	"	SLATE
S	SLATE			
 - CONNECTOR VIEWED FROM SOLDER TERMINAL ENDS.
 - THE NUMBERS ENCLOSED IN PARENTHESES ARE USED FOR REFERENCE AND ARE NOT NECESSARILY SHOWN ON THE PARTS.
 - WITH THE TWO 151827 TERMINAL STRAPS CONNECTED AS SHOWN (TERMINAL 2 & 3 AND TERMINALS 4 & 5) THE CLUTCH MAGNET ASSEMBLY, THE TAPE-OUT CONTACT ASSEMBLY, AND THE CONTROL LEVER CONTACT ASSEMBLY (ALL ON THE ASSOCIATED TRANSMITTER DISTRIBUTOR) WILL BE WIRED IN SERIES.
 - ASTERISK (*) ITEMS INDICATE 18 GA. WIRE
 - THE MOTOR IS NOT A PART OF THE LXDB9 UNIT.



RTTY ELECTRONICS
 TELETYPE Sales Service Parts
 PO Box 20101 El Sobrante, Ca.
 94820. (510)222-3102
 mr_rtty@pacbell.net

ACTUAL WIRING DIAGRAM LXDB 9 TRANSMITTER BASE	
D AND R <i>OAL</i>	E OF F
DATE 8-15-60	
FILE NO. 38-A2/65AA	
DRAWN L J F	CHKD <i>[Signature]</i>
ENGD RAH	APPD <i>[Signature]</i>
TELETYPE CORPORATION	
4301 WD	