

ISSUE CONTROL RECORD

4418 WD

WDP

NO.	NOTES	SUPPORTING INFORMATION		CONTENTS
		CATEGORY	NO.	

ISSUE

SHEET NO.	ISSUE																		
	2	3	4	5	6	7	8	9	10	11	12	13	14	15	16	17	18	19	
1	X	X	X	X	X	X	X	X											
2	X	X	X	X	X	X	X												

REVISIONS APPLYING TO THIS CONTROL RECORD

ISSUE	DATE	AUTH. NO.
- 2	8-8-66	91231

ISSUE CONTROL SHEET 1 **OF** 1

ACTUAL WIRING DIAGRAM FOR LBXB800, 801, 802

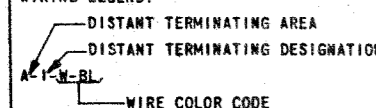
WD NUMBER 4418 WD

DRAWN C.J.R. CHKD.

ENGD. G.E.W. APPD.

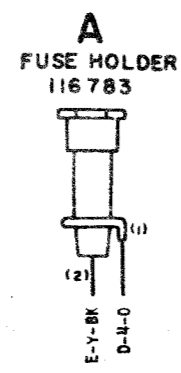
TELETYPE CORPORATION

4418 WD

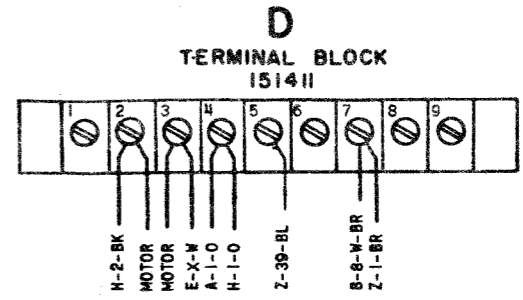
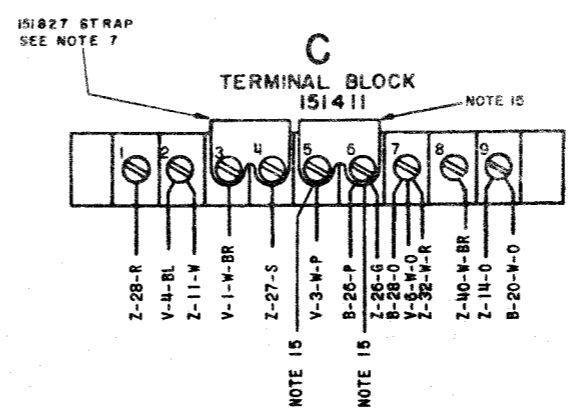
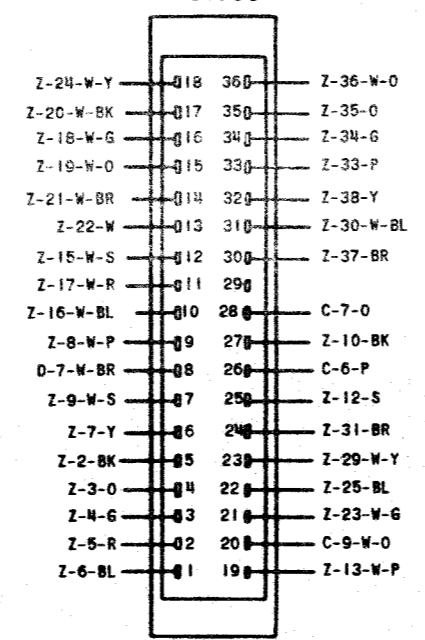
- NO. NOTES
1. WIRING LEGEND:

 2. COLOR CODE:

BK - BLACK	G - GREEN
BR - BROWN	BL - BLUE
R - RED	P - PURPLE
O - ORANGE	S - SLATE
Y - YELLOW	W - WHITE
 3. CONNECTORS VIEWED FROM SOLDER TERMINAL ENDS.
 4. ASSOCIATED CABLES:
164116 (LBX8800, 801)
199472 (LBX8802)
 5. ASSOCIATED SCHEMATIC WIRING DIAGRAM:
4419WD
 6. CIRCUIT SHOWN FOR 115V DC POWER INPUT TO TRANSMITTER DISTRIBUTOR CLUTCH MAGNETS. FOR 48V DC POWER INPUT, REMOVE AND ADD CONNECTIONS AS FOLLOWS:
REMOVE THE WHITE-ORANGE LEAD FROM V6 AND CONNECT TO V5. DISCONNECT THE WHITE-PURPLE LEAD FROM V3 AND CONNECT TO V2.
 7. UNIT SHOWN WIRED FOR EXTERNAL D.C. POWER SUPPLY FOR LBXD CLUTCH TRIP MAGNETS. WHEN INTERNAL D.C. POWER SUPPLY IS USED, CONNECT +120V DC TO C1 AND -120V DC TO C3. MOVE STRAPS AS FOLLOWS:

MOVE STRAP	
FROM	TO
C3 TO C4	C2 TO C3
C5 TO C6	C4 TO C5
 8. MOTOR LEADS TERMINATE AT D-1 AND D-3 FOR THIS ACCESSORY.
 9. FOR .050 AMP. SIGNAL LINE OPERATION, ALSO MOVE Z-1-BR WIRE FROM D-7 TO D-8.
 10. FOR .020 AMP SIGNAL LINE OPERATION, ALSO MOVE B-8-W-BR WIRE FROM D-7 TO D-6 AND MOVE Z-1-BR WIRE FROM D-7 TO D-9.
 11. TERMINALS Z30 AND Z31 ARE USED FOR DISTRIBUTOR AUXILIARY B CONTACTS. FOR LBXD7 ONLY.
 12. LINE SHUNT SWITCH TO BE WIRED AS FOLLOWS ON LBX8801:
BROWN LEAD TO Z22
WHITE AND BROWN LEAD TO Z9
 13. ON LBX8802, USE 178714 ROCKER SWITCH.
 14. LBX8800 ONLY
IF D.C. POWER IS USED FOR THE GOVERN MOTOR, MODIFICATION KIT 160435 D.C. CONVERSION UNIT FOR D.C. OPERATION OF GOVERN MOTORS MUST BE USED. (WIRE PER 3530WD)
 15. REMOVE STRAP AND MAKE THESE CONNECTIONS WHEN 310616 TRANS. CONT. RELAY ASSEMBLY IS USED. REFER TO 7567WD.



B
CONNECTOR (FEMALE)
161595

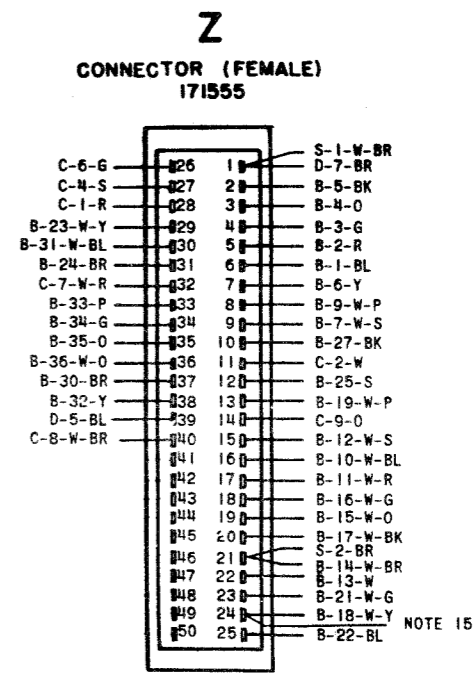
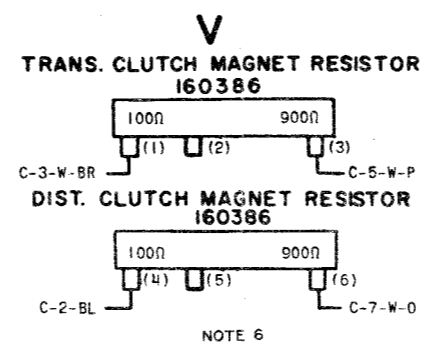
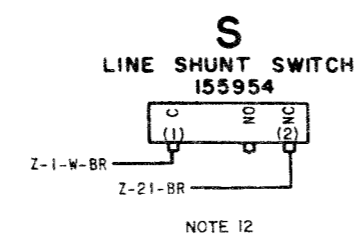
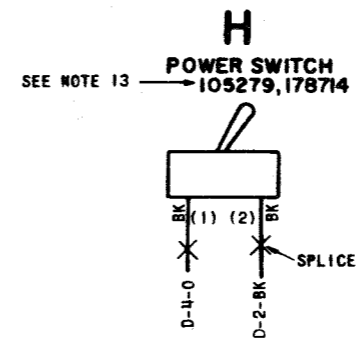
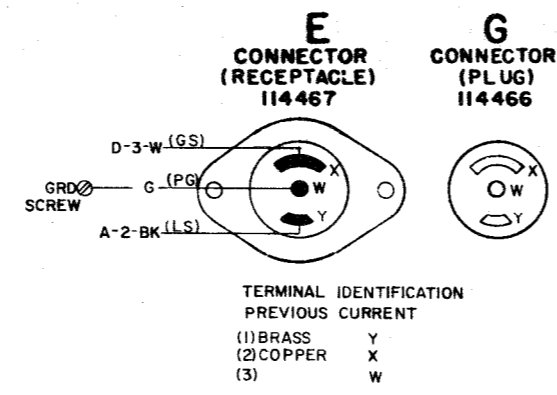


NOTE:
REVISION INFORMATION MUST ALSO BE REFLECTED ON THE ISSUE CONTROL RECORD, WHICH IS A PART OF THIS DRAWING.

4418WD

REVISIONS		
ISSUE	DATE	AUTH. NO.
2	5-31-61	69942
3	7-9-62	73968
4	12-17-63	77430
5	10-31-64	81574
6	1-7-65	84185
7	3-3-65	86271
8	5-3-65	87041
9	8-5-66	91231

RTTY ELECTRONICS
TELETYPE=Sales-Service-Parts
PO Box 20101 El Sobrante, Ca.
94820. (510)222-3102
mr_rtty@pacbell.net

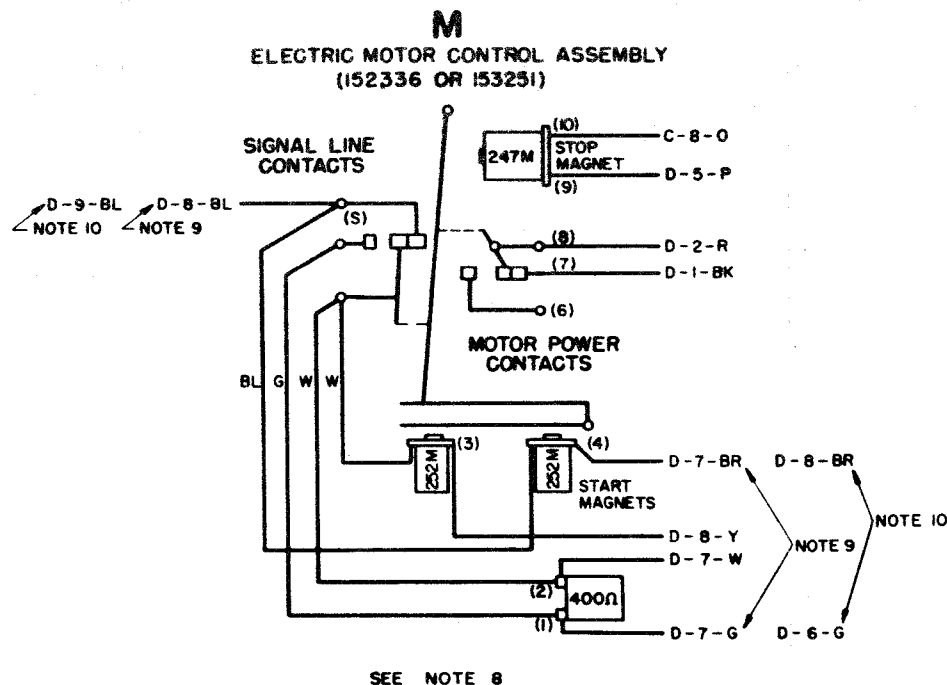


ACTUAL WIRING DIAGRAM FOR LBX8800, 801 & 802

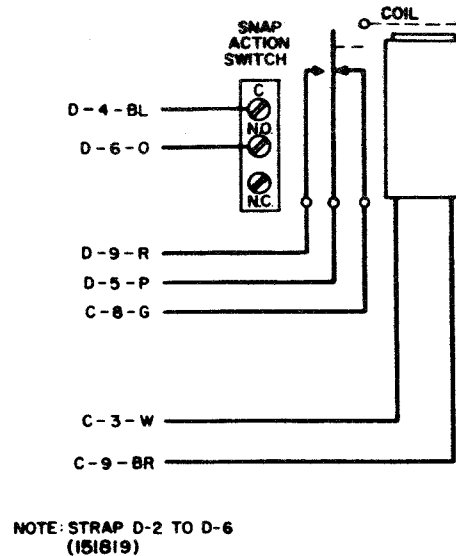
APPROVALS	
D AND R	E OF M
E-NUMBER	
PROD. NO. 4418WD	
DATE 3-1-61	
P.D. FILE NO. 4-58.65AA	
DRAWN JNC/JWP	CHKD.
ENGD. G.E.W.	APPD.
TELETYPE CORPORATION	

4418WD

ACCESSORIES AVAILABLE FOR USE WITH LBXB 800



D.C. CONTROL RELAY
(155558)



NOTE: REVISION INFORMATION MUST ALSO BE REFLECTED ON THE ISSUE CONTROL RECORD, WHICH IS A PART OF THIS DRAWING.

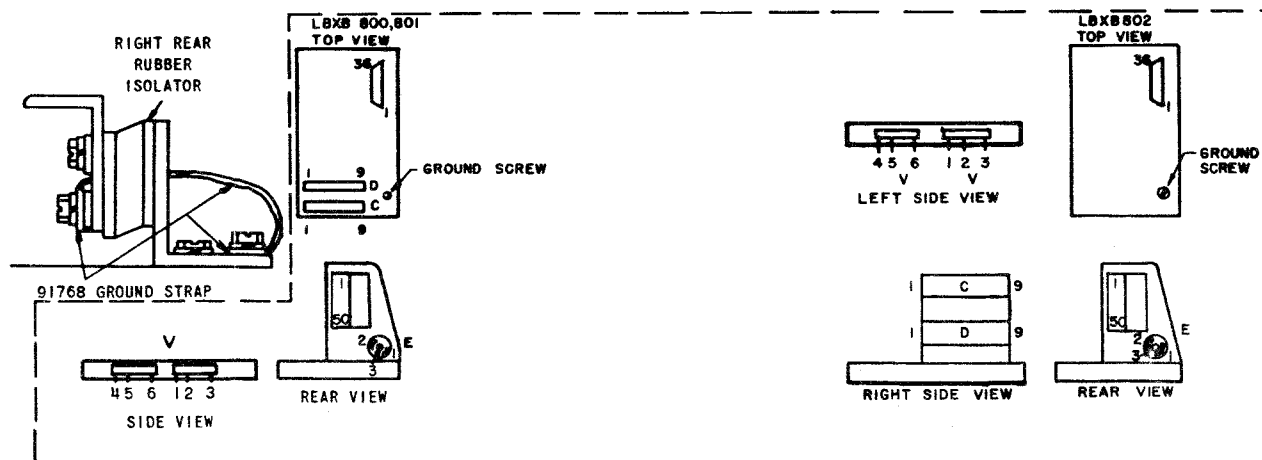
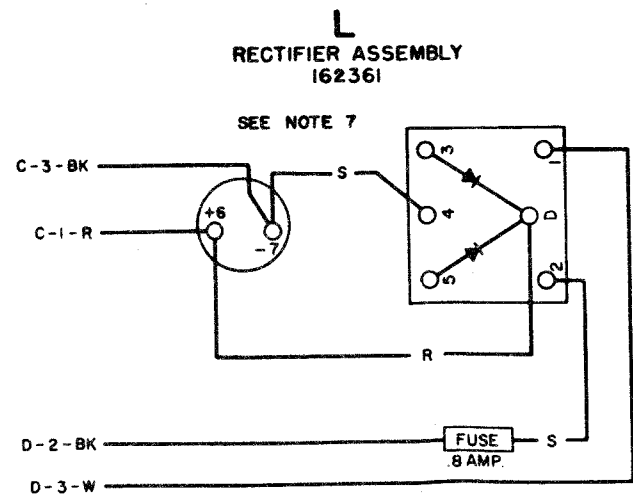
4418WD

REVISIONS

ISSUE	DATE	AUTH. NO.
2	5-31-61	69942
3	7-9-62	73968
4	12-17-63	77430
5	10-31-64	81574
6	1-7-65	84186
7	3-3-65	86271
8	5-3-65	87041

RTTY ELECTRONICS
TELETYPE=Sales-Service-Parts
PO Box 20101 El Sobrante, Ca.
94820. (510)222-3102
mr_rtty@pacbell.net

ACCESSORY AVAILABLE FOR USE WITH LBXB 800, 801, 802



SEE ISSUE CONTROL RECORD FOR COMPLETE LIST OF SHEETS COMPRISING THIS W.D.

SHEET 2 OF 2

ACTUAL WIRING DIAGRAM FOR LBXB800, 801 & 802

APPROVALS

D AND R	E OF M
---	---
E-NUMBER	
PROD. NO. 4418WD	
DATE 3-1-61	
P.D. FILE NO. 4-58.65AA	
DRAWN JNC/JWP	CHKD.
ENGD. G.E.W.	APPD.

TELETYPE CORPORATION

4418WD