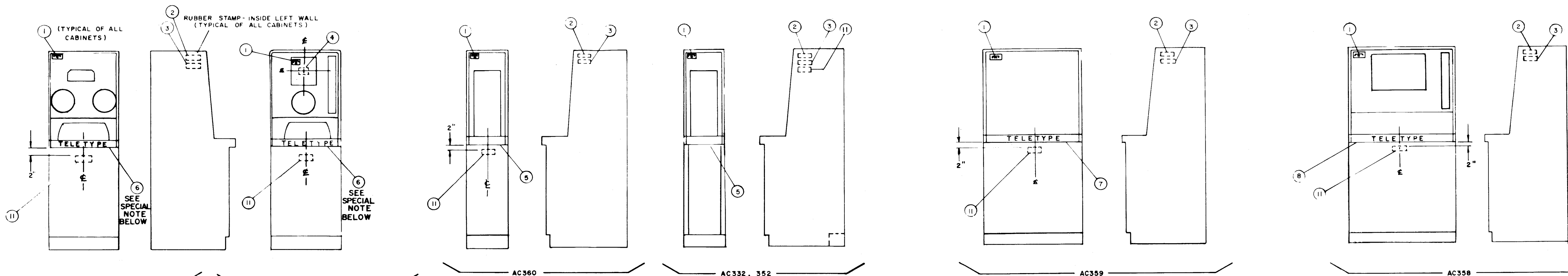


NOTES:

REFER TO 8001WD FOR ALL NOTES



AC296, 335, 337
342, 349, 317
353, 364, 366
367, 382.

AC297, 334, 336
319, 350, 355

AC360

AC332, 352

AC359

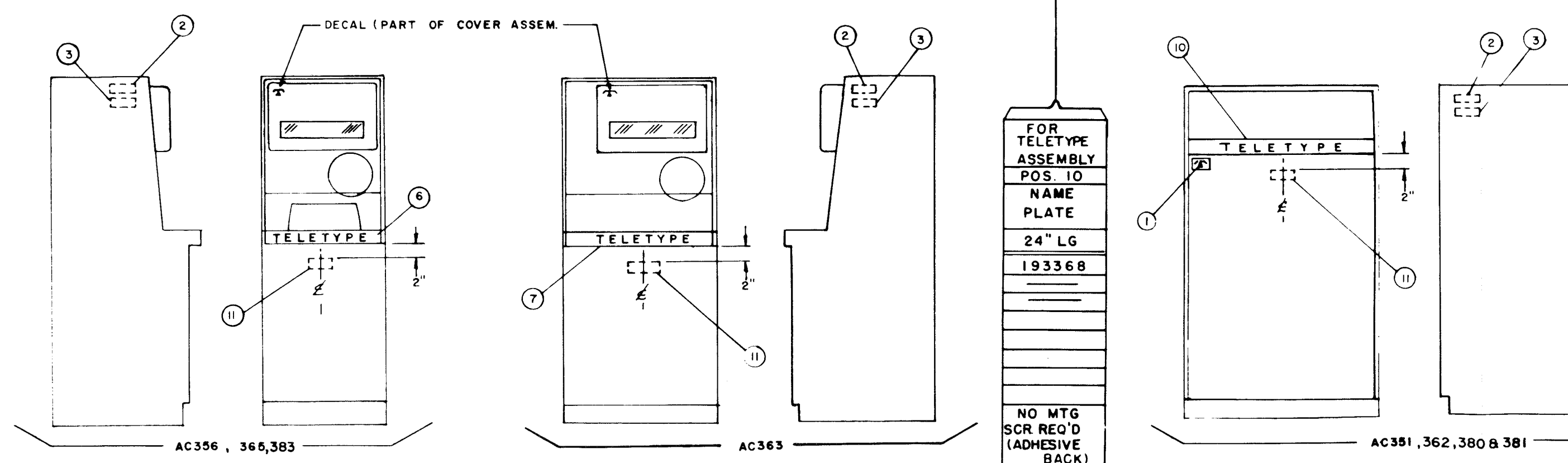
AC358

SPECIAL NOTE

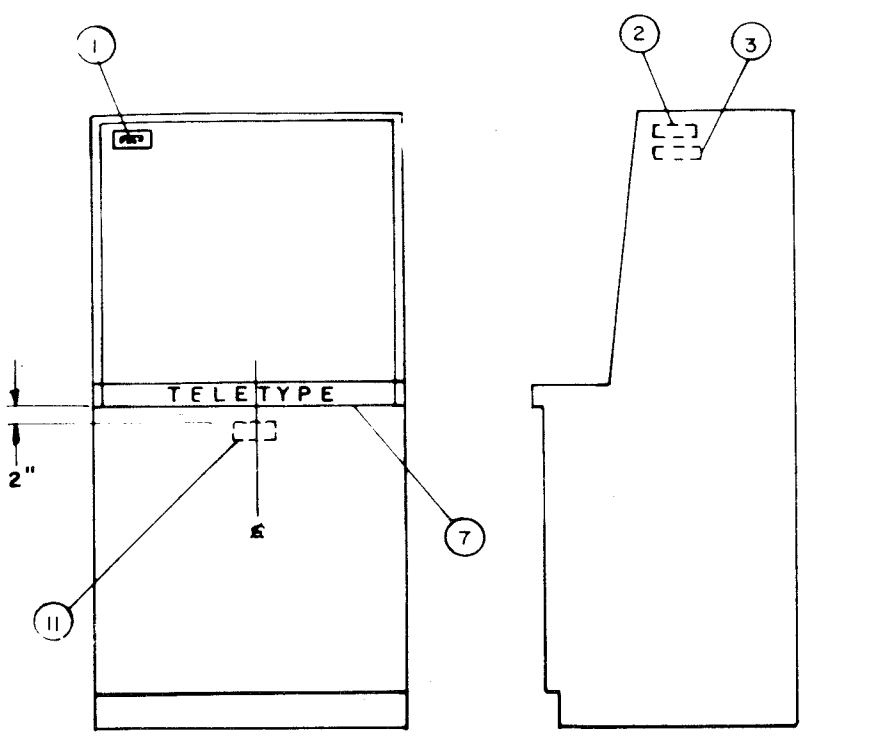
IN POS. (6) FOR AC 349B 350 WITH "BA" MARKINGS USE 311288 (BELL SYSTEM PLATE). FOR OTHER MARKINGS SEE CHART BELOW.

FOR SALES ORDERS

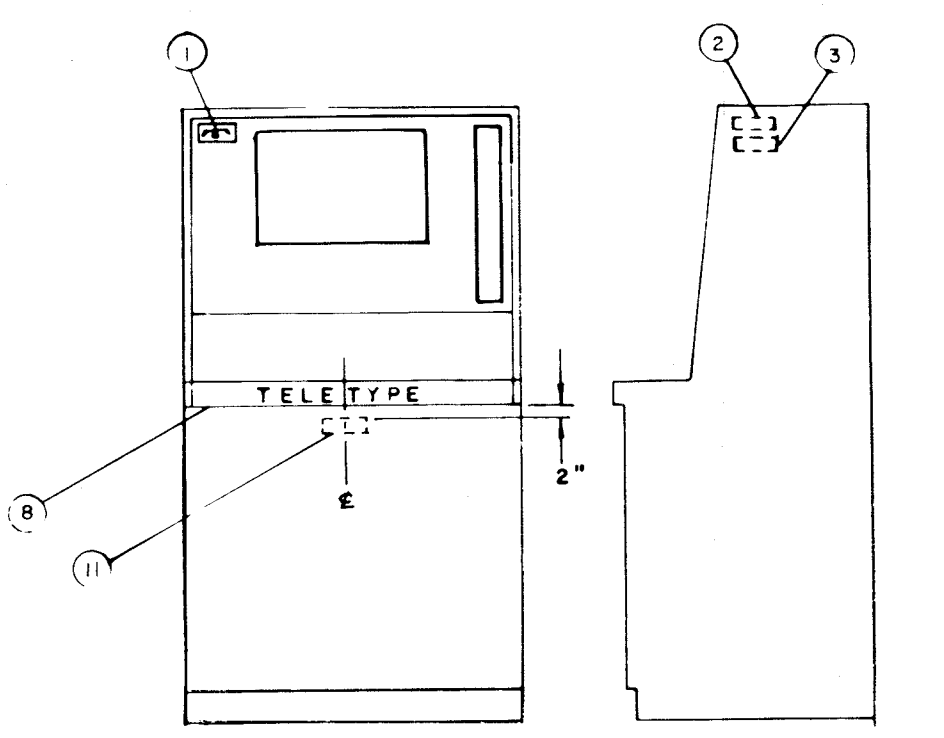
CUSTOMER	POS. (1)	POS. (2)	POS. (3)	POS. (4)	POS. (5)	POS. (6)	POS. (7)	POS. (8)	POS. (9)	POS. (9A)	POS. (10)	POS. (11)	POS. (12)
	TELETYPE EMBLEM	TELETYPE CODE	TELETYPE SERIAL NO.	DECAL (LUB. INSTR)	TELETYPE OR CUSTOMER PLATES (NOS. IN PARENTHESIS INDICATE QUANTITY OF 153103 SCREWS REQUIRED)	NAME PLATE	TELETYPE (TRADE-MARK)	INSTRUCTION PLATE (CHAD. BOX.)					
					8" LG.	15" LG.	19 1/2" LG.	23" LG.	26" LG.	15" LG.	24" LG.		
TELETYPE					193348 (4)	175060 (6)		198880 (6)			199266		
BELL SYSTEM						311288 (6)	149899 (6)			194729			
BELL (DART SYSM.)									198641 (6)				
BELL (DATA SPEED)					145908								
	304056 ADHESIVE BACK NOTE 5 & 10	RUBBER STAMP NOTE 7	RUBBER STAMP NOTE 7	145872 ADHESIVE BACK NOTE 6	NO INSCRIPTION ON THIS PLATE					NO MTG. SCR REQ'D. (ADHESIVE BACK)	195213 ADHESIVE BACK NOTE 5	194535 PRESSURE SENSITIVE ADHESIVE BACK	



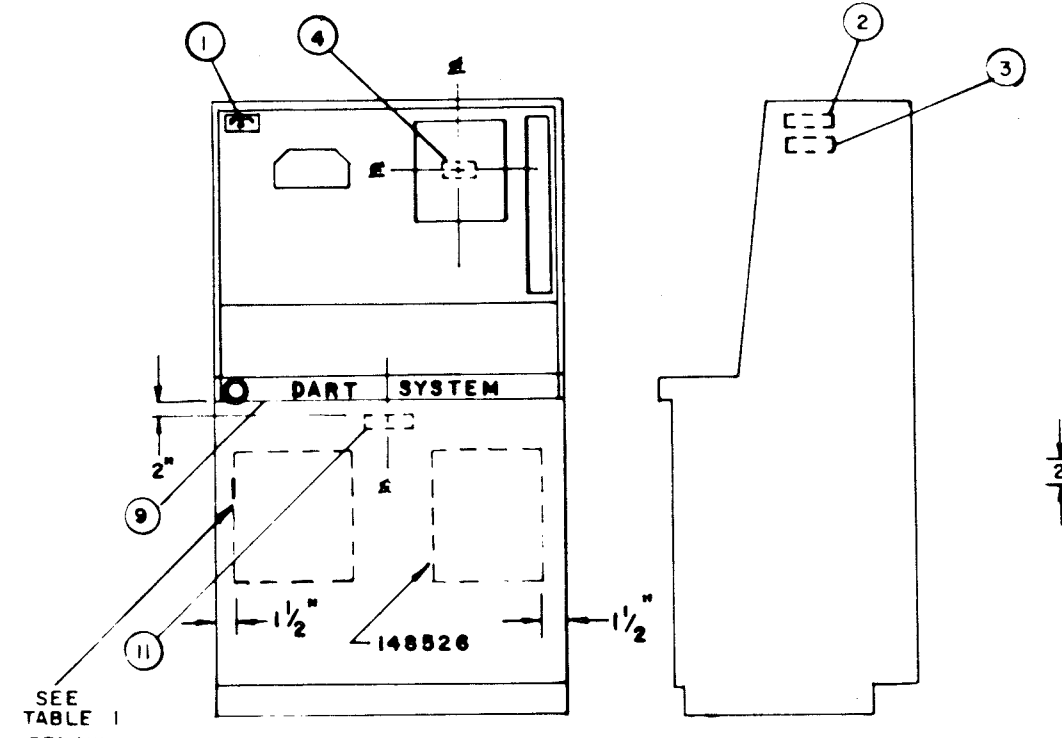
4488 WD		
ISSUE	DATE	AUTH. NO.
2	11-6-64	DCA6538
3	7-1-65	77236
4	3-9-64	80134
5	8-24-64	83388
6	12-9-64	84603
7	3-10-65	86274



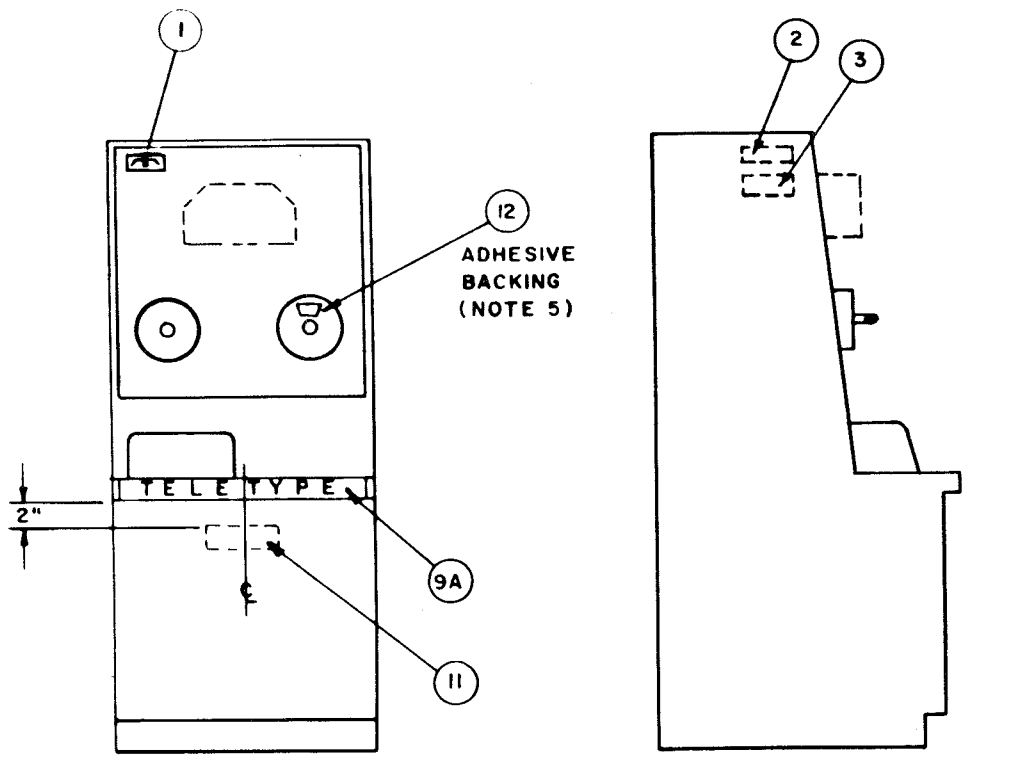
AC359



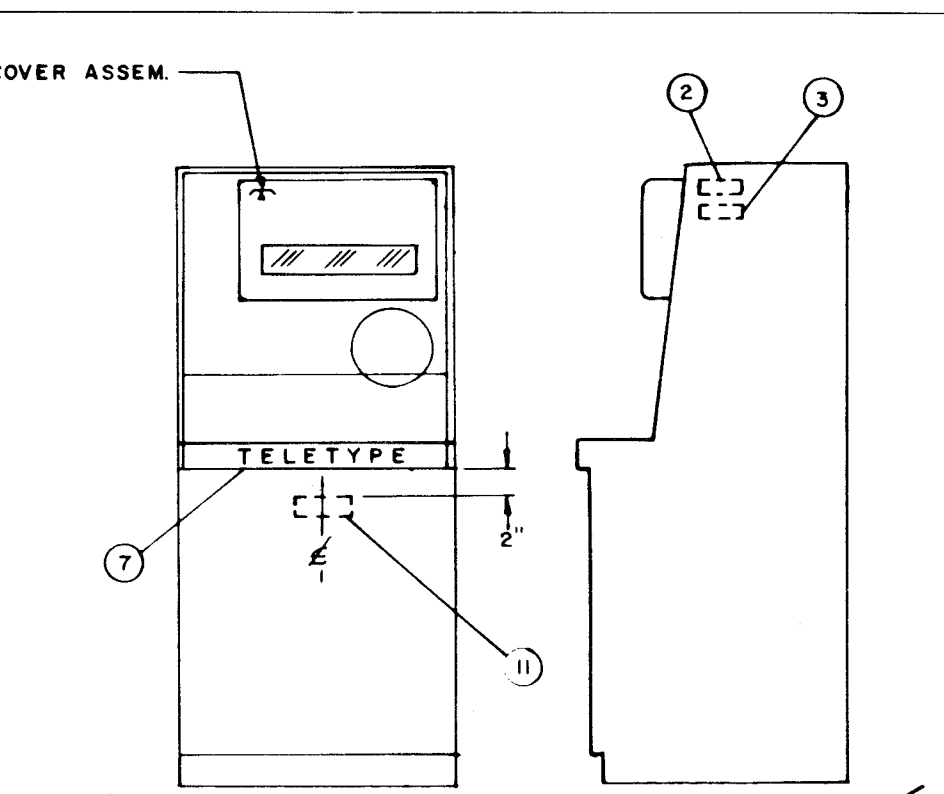
AC358



AC343



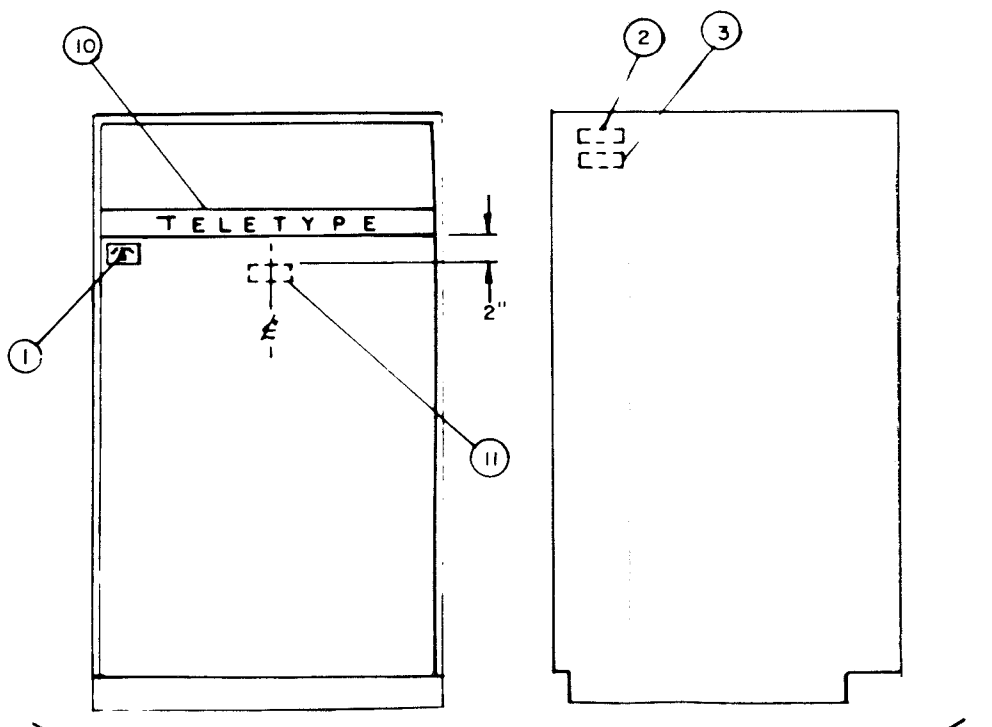
AC 347, 348



AC363

FOR TELETYPE ASSEMBLY
 POS. 10
 NAME PLATE
 24" LG
 193368

 NO MTG SCR REQ'D (ADHESIVE BACK)



AC351, 362, 380 & 381

UNIT	DECAL
VSL 271	148534
VSL 284	148525
VSL 286	148533

MARKINGS CHART FOR DATA SPEED CABINETS

APPROVALS

D AND R E OF M
 [Signature] [Signature]

E-NUMBER

PROD. NO. 4488 WD

DATE 2-21-64

P.D. FILE NO. 98-1AA/18

DRAWN R.P. CHKD.

ENGD. C.D.S. APPD.

TELETYPE CORPORATION

4488 WD

RTTY ELECTRONICS
 TELETYPE=Sales-Service-Parts
 PO Box 20101 El Sobrante, Ca.
 94820. (510)222-3102
 mr_rtty@pacbell.net