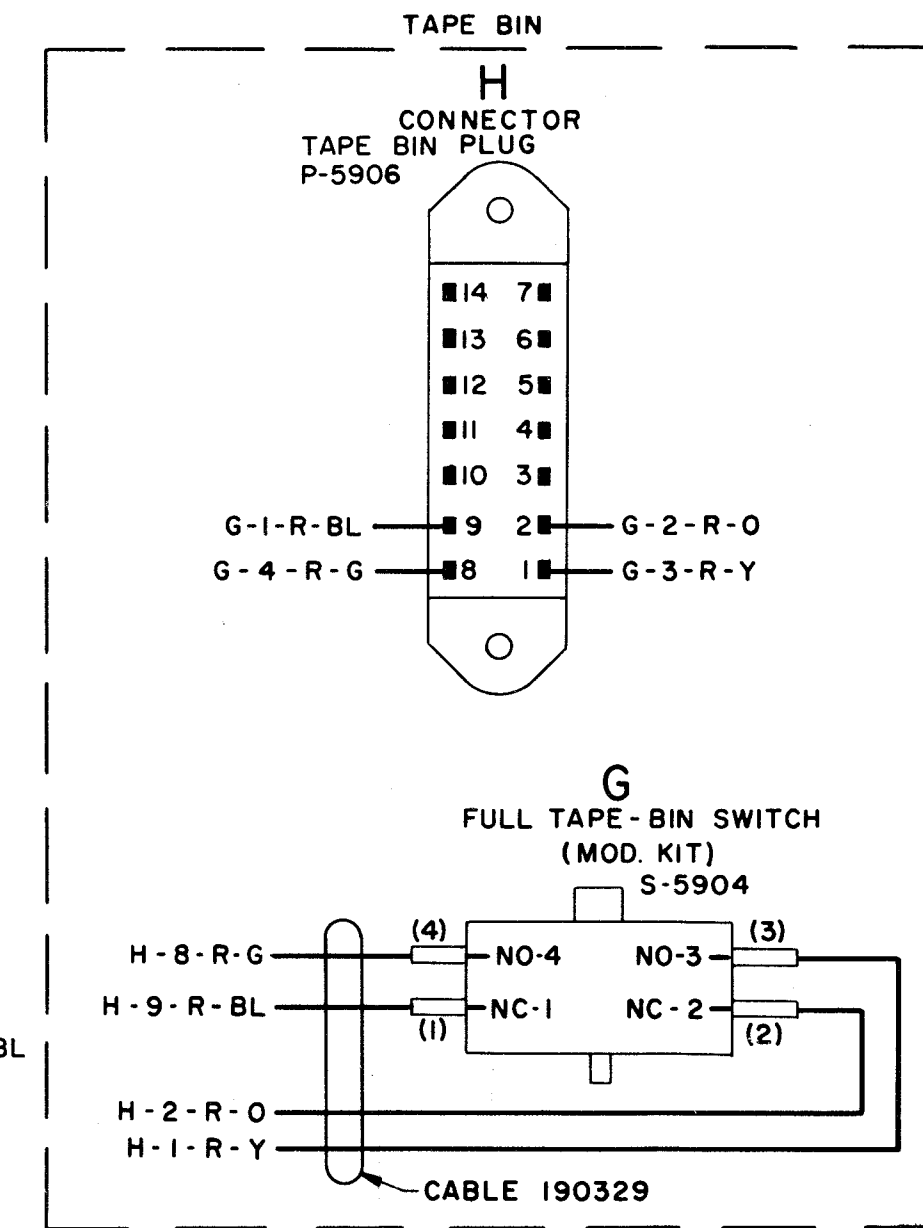
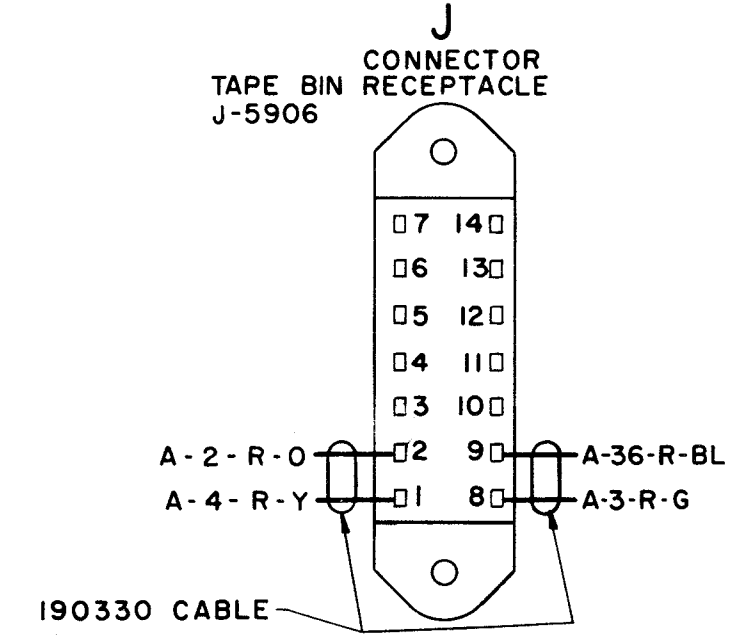
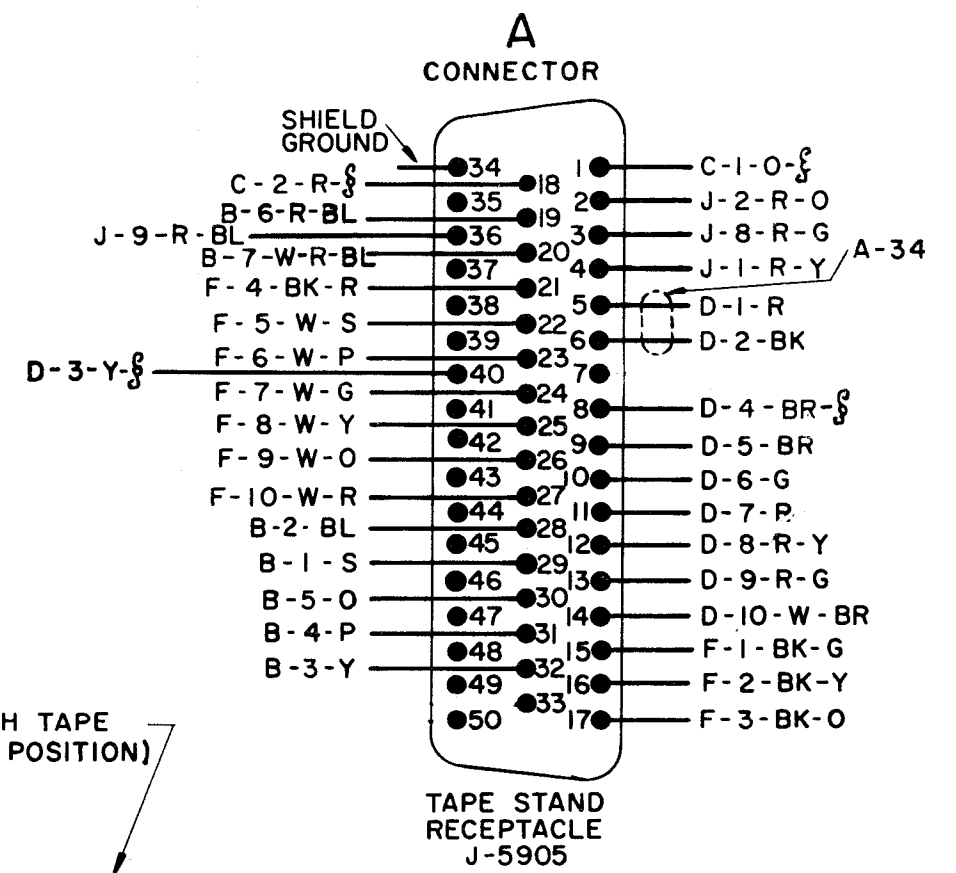
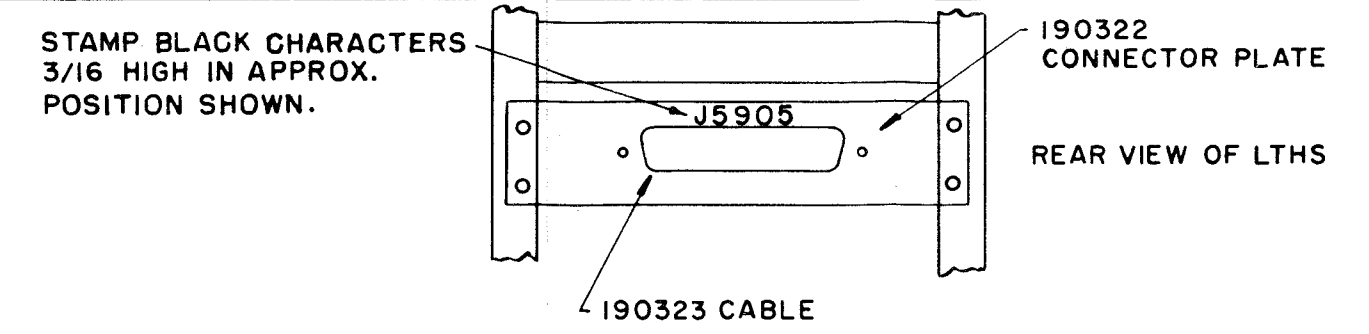
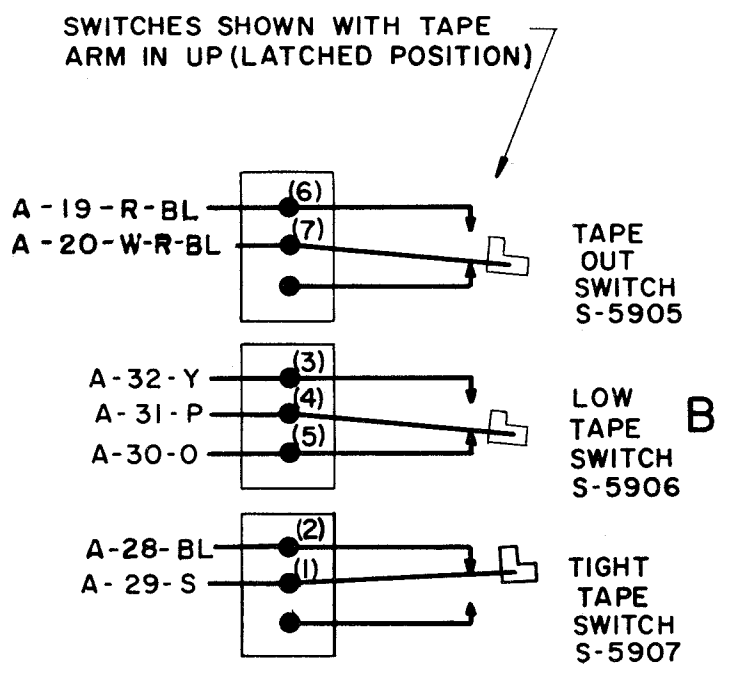
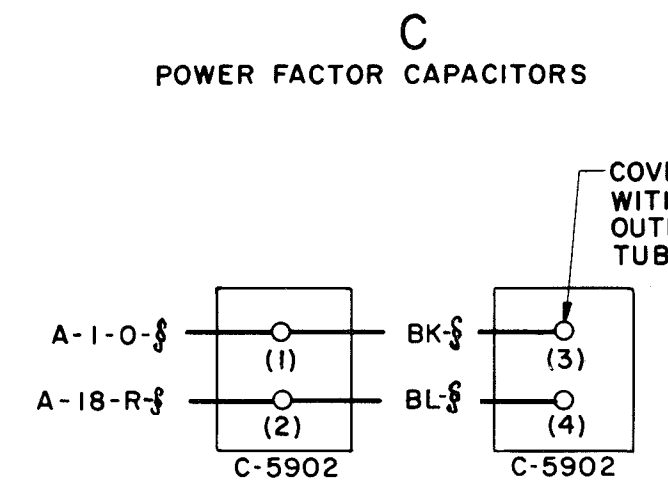
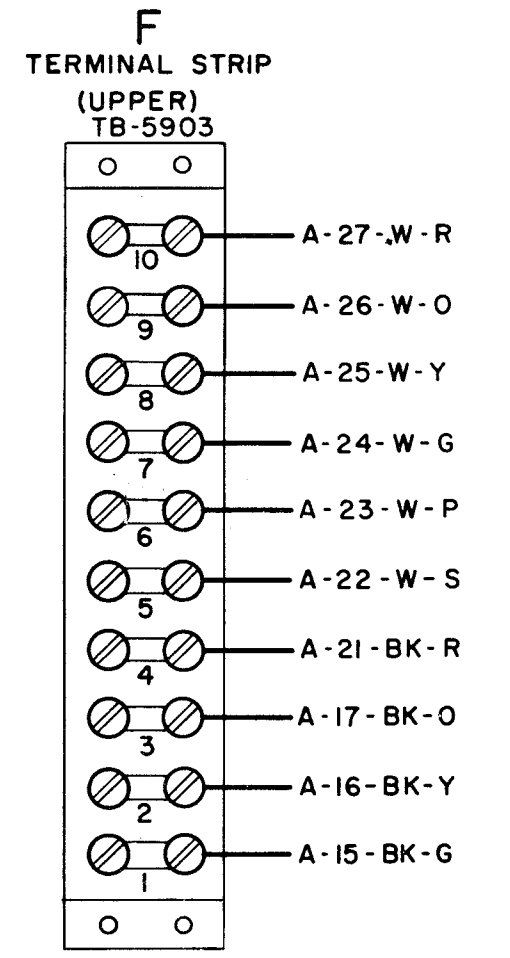
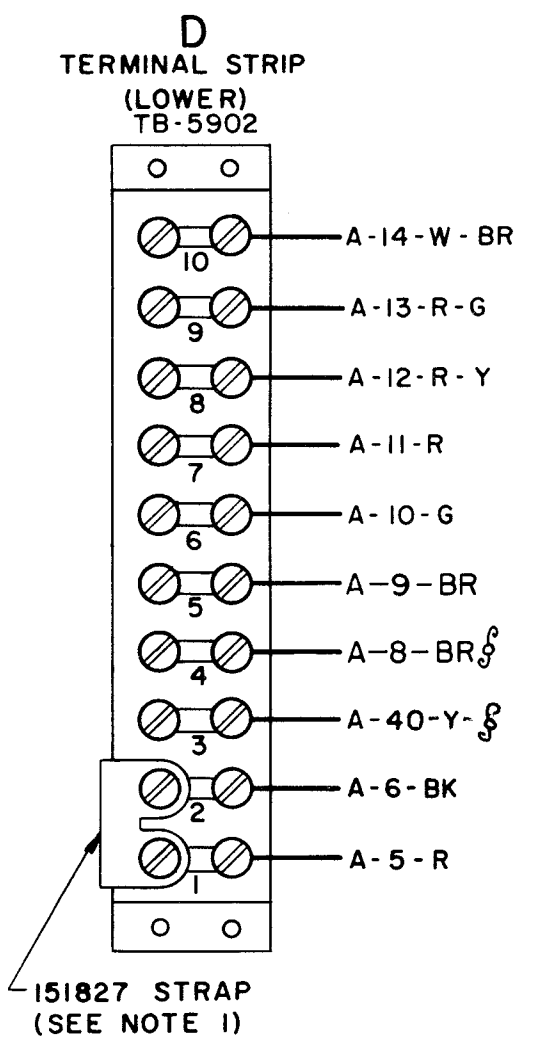


NO.	NOTES
1.	REMOVE STRAPS ACROSS TERMINALS 1 & 2 IF 190011 LINE RELAY ASSEMBLY OR 193230 POWER SUPPLY IS INSTALLED IN BASE OF LTHS 213 TAPE HANDLING STAND.
2.	Ø INDICATES 18 GA. WIRE. ALL OTHER WIRES ARE 24 GA.
3.	ASSOCIATED CABLE ASSEMBLIES: 190323, 190329 & 190330.
4.	FOR SCHEMATIC SEE 4639 WD.
5.	
6.	TERMINAL DESIGNATIONS ENCLOSED IN PARENTHESIS ARE NOT MARKED ON COMPONENT.

RTTY ELECTRONICS
 TELETYPE=Sales-Service-Parts
 PO Box 20101 El Sobrante, Ca.
 94820. (510)222-3102
 mr_rtty@pacbell.net



4638 WD

REVISIONS		
ISSUE	DATE	AUTH. NO.
A	1-14-63	75661
B	2-19-63	76040
C	4-28-63	78380
D	10-29-63	78389
E	3-3-64	79639

APPROVALS

D AND B	E OF M
---------	--------

E-NUMBER
 PROD. NO. 4638 WD

ACTUAL WIRING DIAGRAM FOR LTHS 213 TAPE HANDLING STAND MODEL 28 H/L

DATE: 9-20-62
 RD. FILE NO. 5.55.25.229 A
 DWN. V.E.S. CHKD. [Signature]
 ENGD. L.H. APPD. [Signature]

TELETYPE CORPORATION
 4638 WD