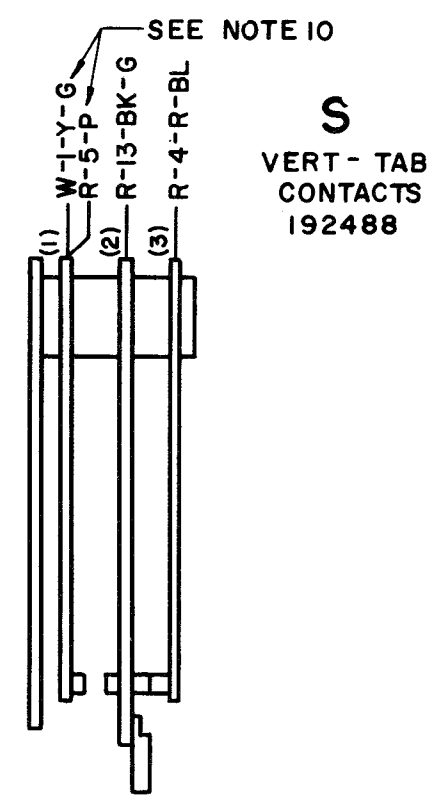
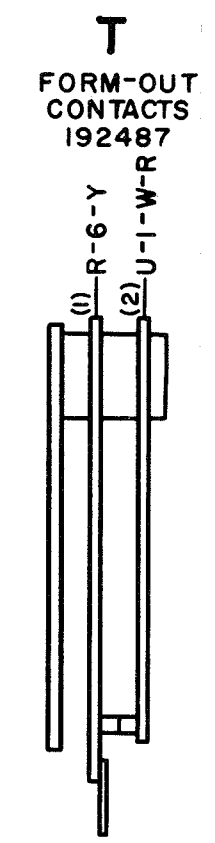
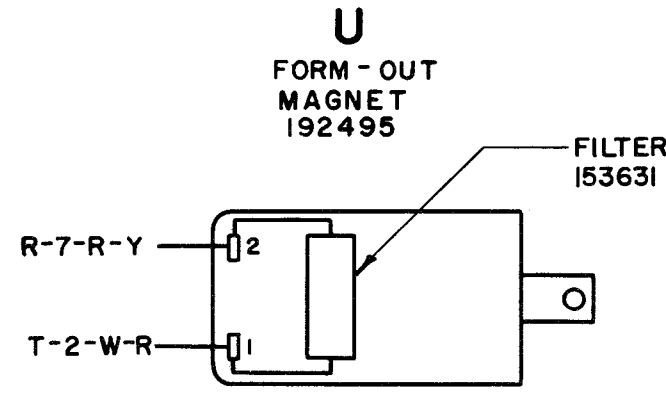
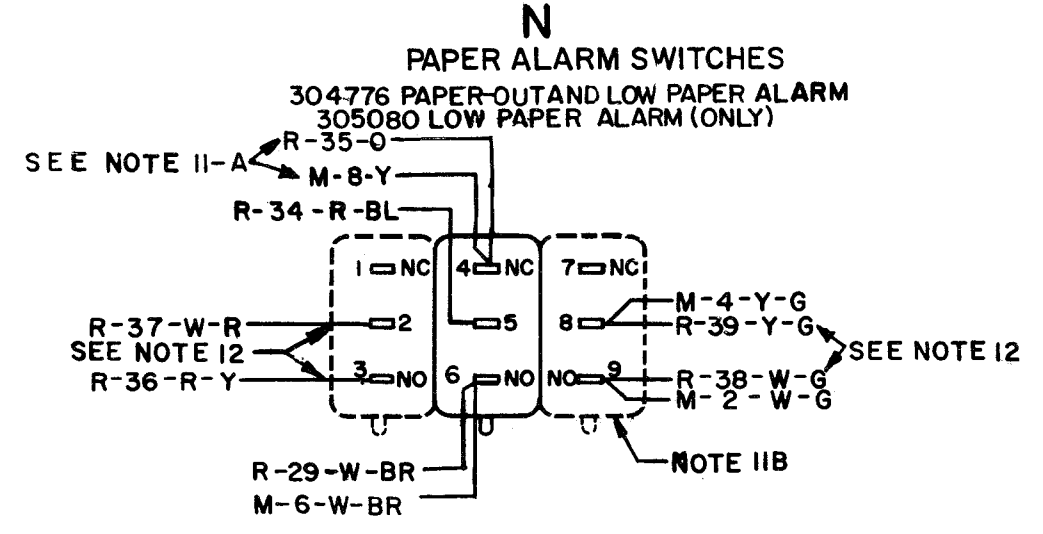
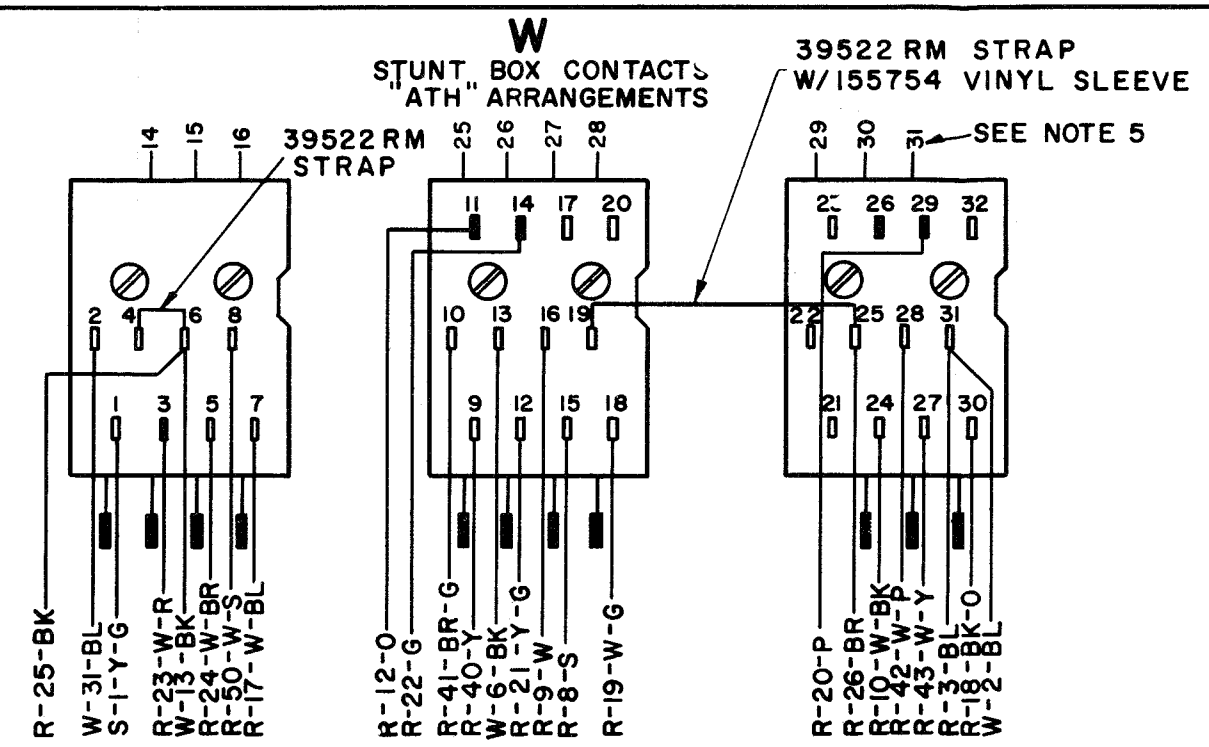
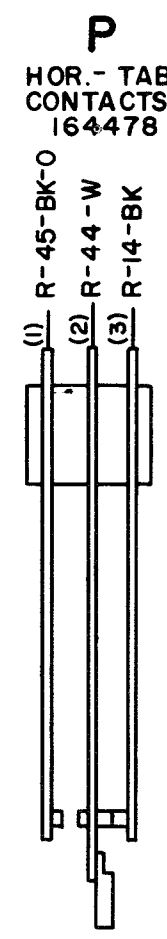
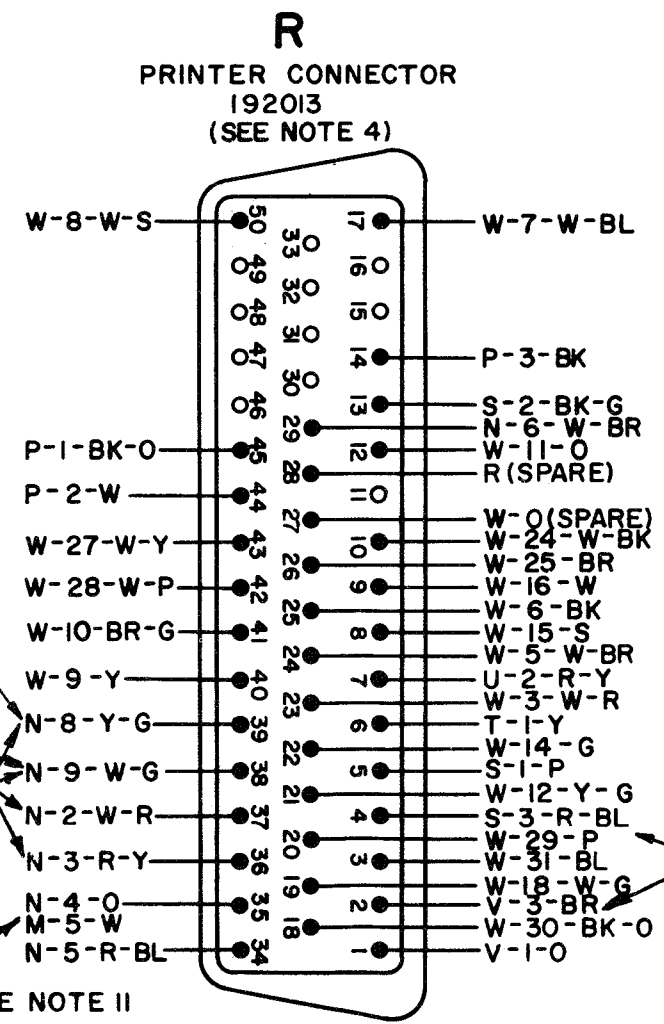
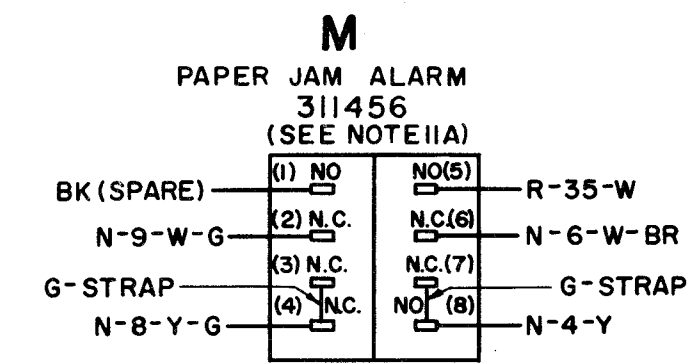
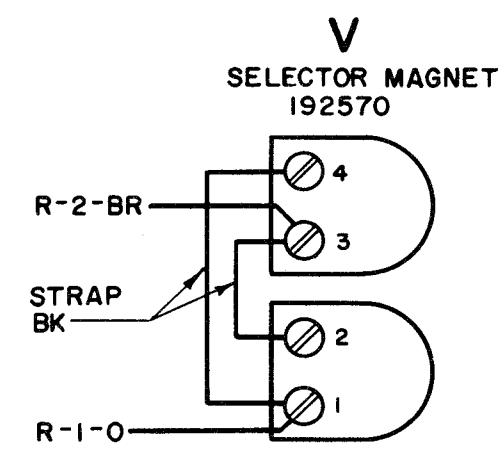


- NO. NOTES**
1. **WIRING LEGEND:**
 2. **COLOR CODE:**

R-RED	O-ORANGE
BK-BLACK	Y-YELLOW
BR-BROWN	G-GREEN
BL-BLUE	P-PURPLE
S-SLATE	W-WHITE
 3. CONTACTS VIEWED FROM SOLDER TERMINAL ENDS.
 4. CONNECTOR VIEWED FROM BOTTOM.
 5. NUMBERS AT TOP OF STUNT BOX CONTACTS REFER TO SLOT POSITION IN STUNT BOX.
 6. FILLED CONTACT TERMINAL IN STUNT BOX REPRESENTS NORMALLY CLOSED CONTACT, UNFILLED CONTACT TERMINAL REPRESENTS NORMALLY OPEN CONTACT.
 7. CONTACTS SHOWN IN UNOPERATED OR DEENERGIZED POSITION.
 8. SELECTOR COIL IS WIRED FOR .500 AMP. OPERATION.
 9. ASSOCIATED CABLE ASSEMBLIES:

CABLE ASSEMBLY - 192346 (AREA R-N)
" " - 192481 (AREA R-W)
" " - 192492 (AREA R-P)
" " - 192496 (AREA R-S, T & U)
" " - 192484 (AREA R-V)
 10. SPLICE AND TAPE YELLOW-GREEN WIRES FROM S-1 AND W-1 AT CONNECTOR R.
 11. **A** LP 809 UNITS ONLY HAVE THE 304776 PAPER-OUT AND LOW PAPER ALARM SWITCHES TOGETHER WITH THE 311456 PAPER JAM ALARM. ON THESE UNITS DISCONNECT THE ORANGE WIRE FROM R-35 AND N-4 AND TAPE BOTH ENDS. MAKE OTHER CONNECTIONS AS SHOWN. ASSOCIATED CABLE 194999.
B SWITCHES SHOWN DOTTED ARE PECULIAR TO THE 304776 PAPER-OUT & LOW PAPER ALARM ONLY.
 12. THESE WIRES ARE NOT REQUIRED FOR UNITS EQUIPPED WITH THE 305080 LOW PAPER ALARM SWITCHES. DISCONNECT AND TAPE BOTH ENDS OF THESE LEADS.
 13. LP 805 UNITS HAVE ONLY THE 305080 LOW PAPER ALARM. WHEN THE 311456 PAPER JAM IS USED ON THE LP 805, CONNECT THE YELLOW-GREEN WIRE FROM TERMINAL M-4 TO TERMINAL R-39 AND THE WHITE-GREEN WIRE FROM TERMINAL M-2 TO TERMINAL R-38.

RTTY ELECTRONICS
 TELETYPE = Sales-Service-Parts
 PO Box 20101 El Sobrante, Ca.
 94820. (510)222-3102
 mr_rtty@pacbell.net



4787WD

REVISIONS		
ISSUE	DATE	AUTH. NO.
02	10-2-62	74699
03	11-6-62	75018
04	11-6-62	75039
05	4-23-64	81109
06	8-18-65	87498
07	8-29-67	92943B

ACTUAL WIRING DIAGRAM FOR MODEL 35 TYPING UNIT STUNT BOX "ATH" LP 805 & 809

APPROVALS
 R AND D: [Signature]
 E OF M: [Signature]

E-NUMBER
 PROD. NO. 4787WD

DATE: 3-31-62
 P.D. FILE NO. 2-A100AA
 DRAWN R.H.B. CHKD. J.C.H.
 ENGD. C.F.S. APPD. [Signature]

TELETYPE CORPORATION

4787WD