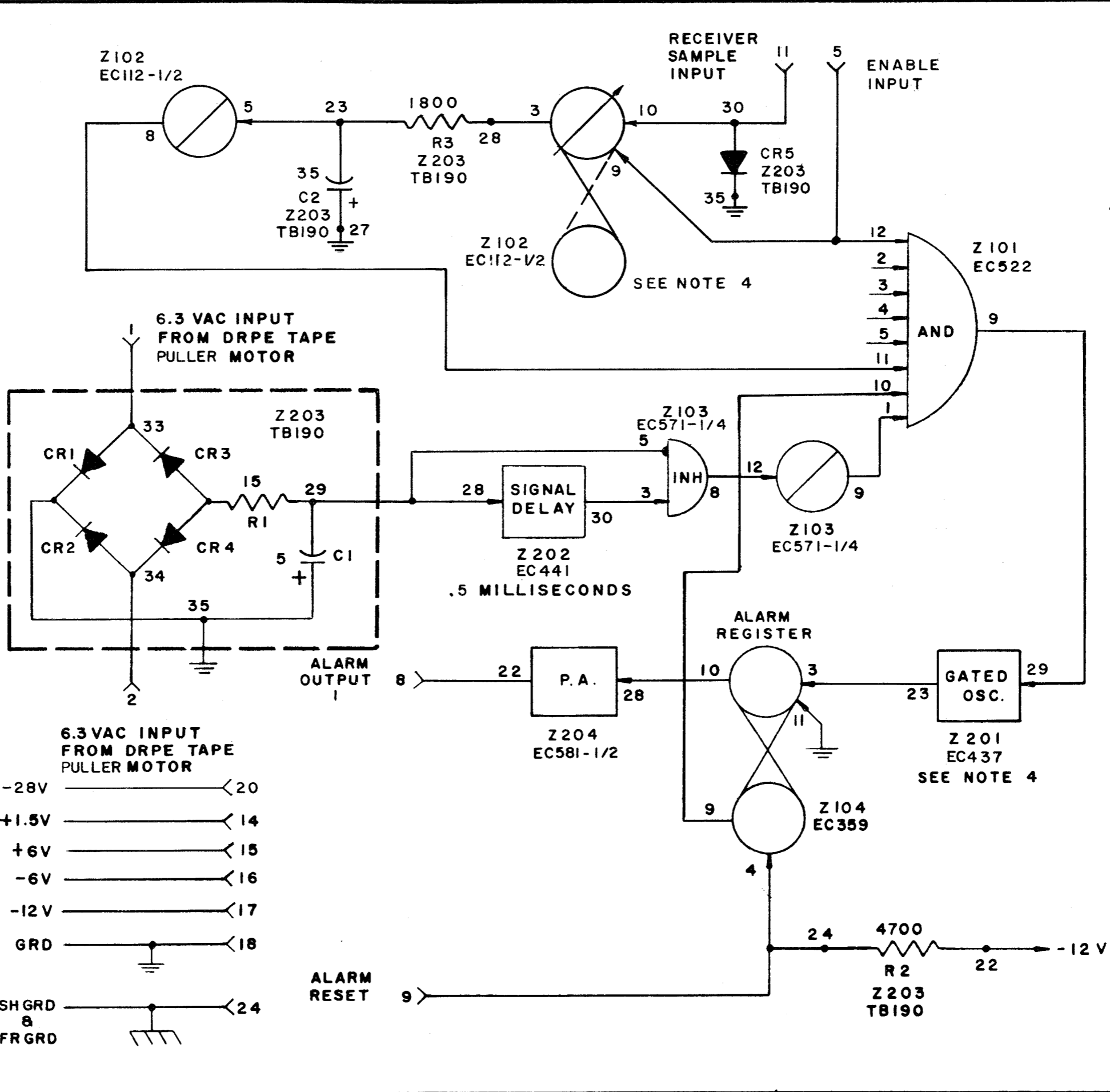


ISSUE	DATE	AUTH. NO.
1	7-29-65	16970-R

RTTY ELECTRONICS  
 TELETYPE=Sales-Service-Parts  
 PO Box 20101 El Sobrante, Ca.  
 94820. (510)222-3102  
 mr\_rtty@pacbell.net

- NO. NOTES
- ALL VOLTAGES DC UNLESS OTHERWISE SPECIFIED.
  - ALL RESISTORS 1/2 WATT AND RESISTANCE VALUES IN OHMS.
  - SPARE CIRCUITS AVAILABLE:  
 I-POWER AMPLIFIER Z204,  
 EC581 1/2, I-INVERTER,  
 I-INHIBIT GATE Z103,  
 EC571-2/4
  - REFER TO SPECIFICATION FOR ADJUSTMENT OF VARIABLE TIMING CIRCUITS
  - > INDICATES TERMINAL ON CONNECTOR J1.
  - REFER TO 5791 WD FOR ACTUAL WIRING DIAGRAM.
  - 
  - ALPHA NUMERIC CONVERSION CHART  
 STAMPING NUMERICAL CONVERSION ON CKT CARD FOR 15PT. CARD WHEN USED WITH 36PT. CONNECTOR
  - FOR SCHEMATIC OF DRPE PUNCH MODIFICATION SEE 5798 WD.
  - ALL CAPACITANCE VALUES IN MICROFARADS.



SCHEMATIC WIRING DIAGRAM FOR DRPE TAPE MOTION ALARM

ASSEM. NO. 148181

APPROVALS

D AND R	E OF M
<i>[Signature]</i>	<i>[Signature]</i>

E-NUMBER

PROD. NO. 5790 WD

DATE:

P.D. FILE NO. 33-A25AA

DRAWN. WO

ENGD.

CHKD. *[Signature]*

APPD. *[Signature]*

TELETYPE CORPORATION

5790 WD