

ISSUE CONTROL RECORD

5825 WD

NO. NOTES SUPPORTING INFORMATION CONTENTS

CATEGORY NO.

SHEET NO. ISSUE

REVISIONS APPLYING TO THIS CONTROL RECORD

1	X	X	X	X	X	X	X	X	X	X	X									
2	X	X	X	X	X	X	X	X	X	X	X	X	X							
3	X	X	X	X	X	X	X	X	X	X	X	X	X							

ISSUE	DATE	AUTH. NO.
1	6-29-66	90965
2	11-28-66	91420
3	4-2-68	95607
4	4-2-69	96932

RTTY ELECTRONICS
TELETYPE=Sales-Service-Parts
PO Box 20101 El Sobrante, Ca.
94820. (510)222-3102
rtr_rty@pacbell.net

ISSUE CONTROL SHEET 1 OF 1

ACTUAL WIRING DIAGRAM FOR CALL CONTROL UNIT LCCU 301

WD NUMBER 5825 WD
DRAWN T.R. CHKD. J.G.M.
ENGD. R.D.S. APPD. R.G.G.

TELETYPE CORPORATION

5825 WD

NO. NOTES

1. **WIRING LEGEND:**
 DISTANT TERMINATING AREA
 DISTANT TERMINATING DESIGNATION
 C-13-Y-G
 WIRE COLOR CODE

2. **COLOR CODE:**
 W - WHITE P - PURPLE
 BK - BLACK G - GREEN
 O - ORANGE R - RED
 BL - BLUE S - SLATE
 Y - YELLOW BR - BROWN

3. *REFERS TO 20 GA. WIRE & **REFERS TO 18 GA. WIRE. ALL OTHER WIRING IS 24 GA.

4. RECEPTACLES VIEWED FROM WIRING SIDE.

5. ASSOCIATED CABLES:
 193473 CABLE ASSEMBLY

6. ON UNITS REQUIRING THE 18262 HAND-HELD RECEIVER, ATTACH BLACK AND ONE WHITE WIRE TO TERMINAL 5 AND RED AND OTHER WHITE WIRE TO TERMINAL 6.

7. ASSOCIATED WIRING DIAGRAMS:
 4970WD (SMD ACTUAL)
 182630 (SMD CARD)

8. Q FUSE HOLDER WAS ADDED.

9. **FUSE VALUES ARE AS FOLLOWS:**

TRANSFORMER	FUSE	PART NO.
181879	1/2 AMP. SL-BL	117176
182657	8/10 AMP. SL-BL	102360

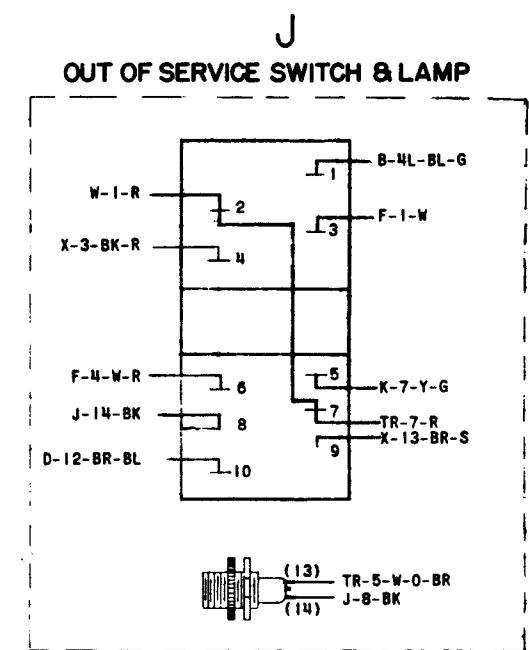
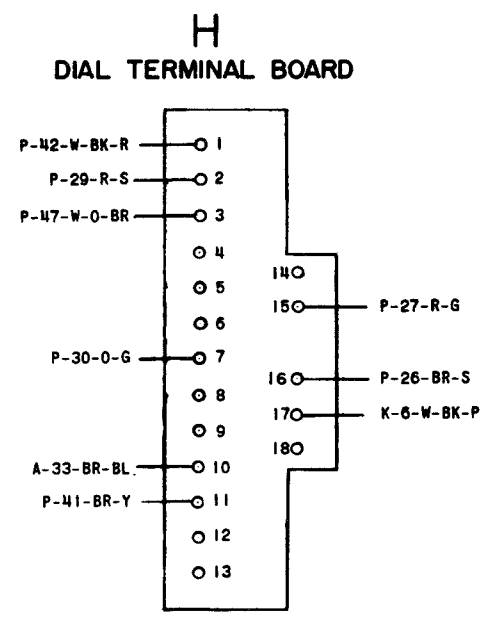
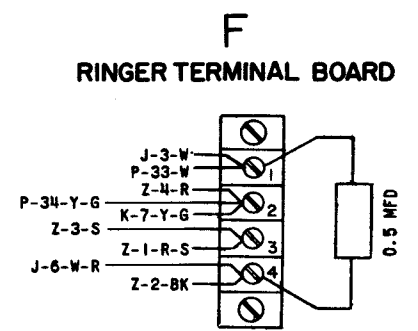
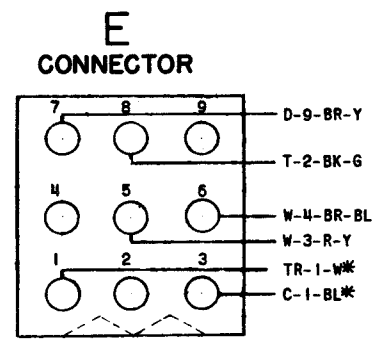
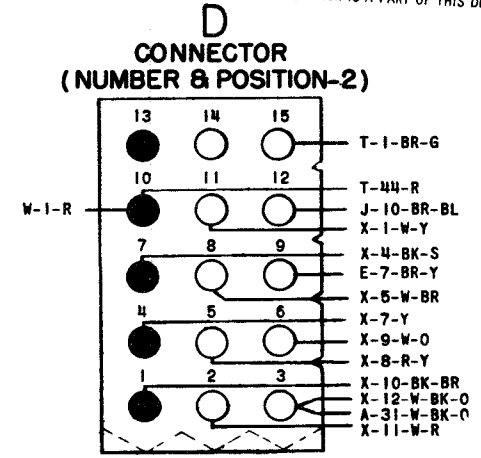
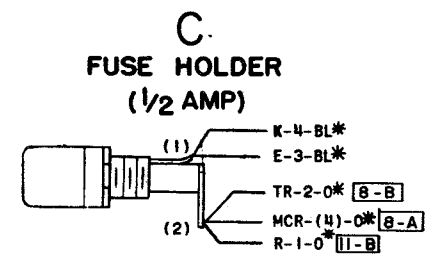
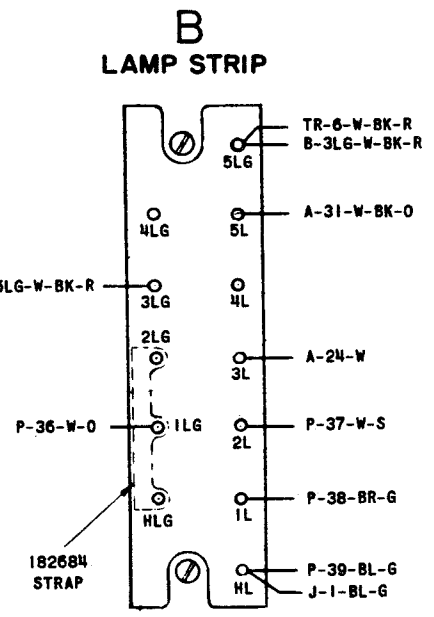
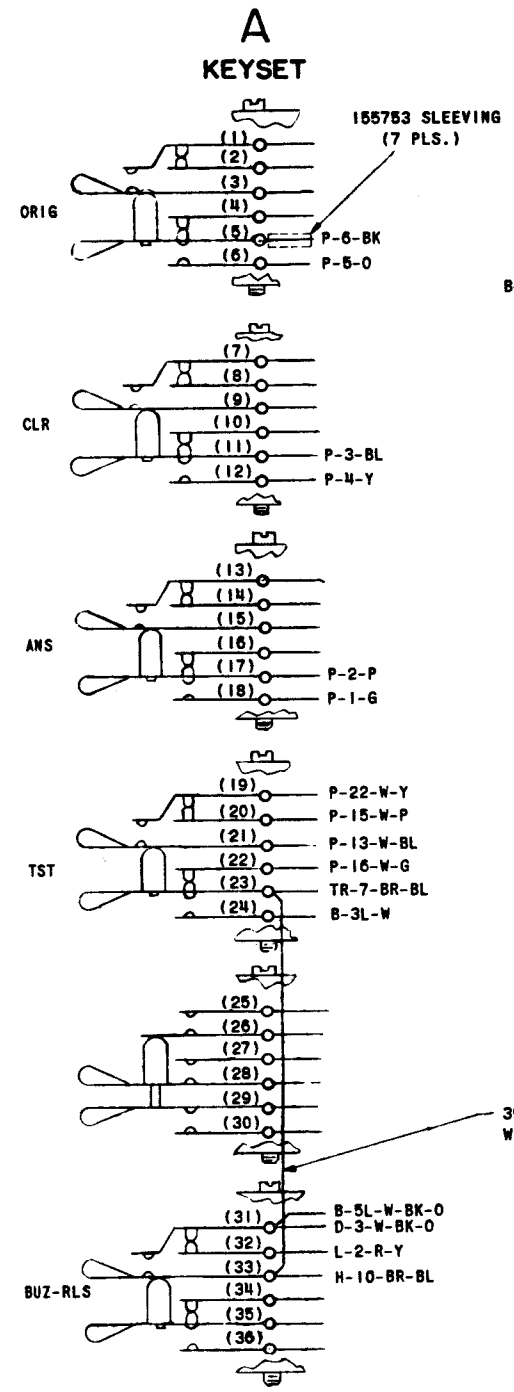
10. 1 - 153631 NETWORK
 0.11 μF, 470 Ω

11. WIRES WERE CHANGED FROM 20 GAGE TO 18 GAGE, AND THE ORANGE WIRE AT R(1) WAS RE-ROUTED FROM C(2) TO MCR 4

12. **WIRING STATUS:**
 RECTANGULAR BOX INDICATES HISTORY OF WIRING CHANGES

[00-B] B - DENOTES WIRING BEFORE THE CHANGE DESCRIBED BY THE DESIGNATED NOTE ENTERED THE PRODUCT.

[00-A] A - DENOTES WIRING AFTER THE CHANGE DESCRIBED BY THE DESIGNATED NOTE ENTERED THE PRODUCT.



NOTE:
 REVISION INFORMATION MUST ALSO BE REFLECTED ON THE ISSUE CONTROL RECORD, WHICH IS A PART OF THIS DRAWING.

5825 WD

REVISIONS

ISSUE	DATE	AUTH. NO.
A 2	8-17-62	74252
B 3	4-3-63	76412
C 4	8-28-63	77565
D 5	1-15-64	79804
E 6	1-31-64	79903
7	1-5-65	85704
8	3-15-65	84599-1
9	8-6-65	88293
10	6-29-66	90965
11	11-20-66	91420

SEE ISSUE CONTROL RECORD FOR COMPLETE LIST OF SHEETS COMPRISING THIS W.D.

SHEET 1

ACTUAL WIRING DIAGRAM FOR CALL CONTROL UNIT LCCU301

APPROVALS

D AND R	E OF M
-----	-----

E-NUMBER
 PROD. NO. 5825WD

DATE 7-13-64

P.D. FILE NO. 1-159-151AA

DRAWN A.D. CHKD. J.G.M.
 ENGD. R.D.S. APPD. R.G.G.

TELETYPE CORPORATION

5825 WD

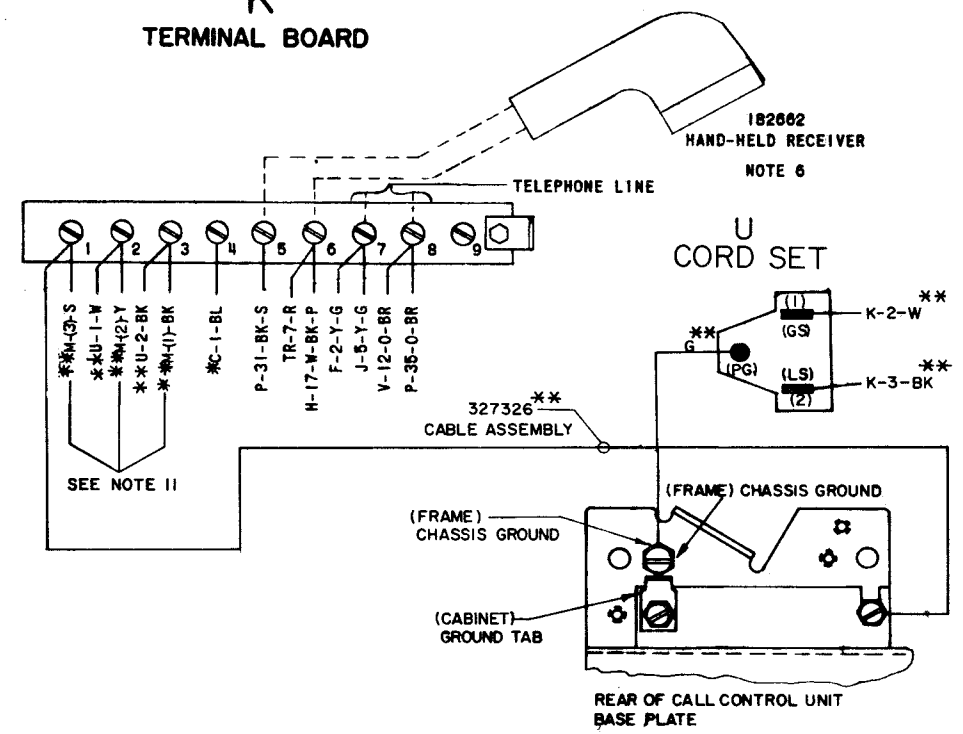
NOTE:
REVISION INFORMATION MUST ALSO BE REFLECTED ON THE ISSUE CONTROL RECORD, WHICH IS A PART OF THIS DRAWING.

5825WD

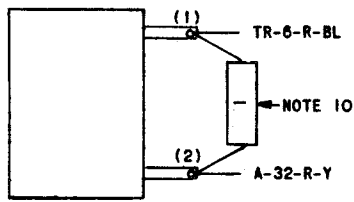
REVISIONS

ISSUE	DATE	AUTH. NO.
A 2	8-17-62	74282
B 3	4-3-63	76412
E 4	8-28-63	77865
B 5	1-18-64	79804
E 6	1-31-64	79903
7	1-8-65	85704
8	3-18-65	84898-1
9	8-6-65	88283
10	6-29-66	90965
11	11-28-66	91420
12	3-28-68	95607
13	4-2-69	96932

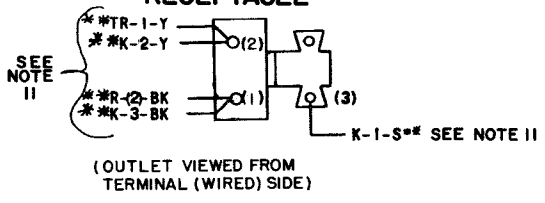
K TERMINAL BOARD



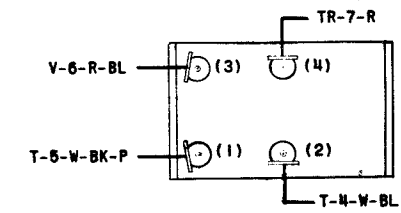
L BUZZER



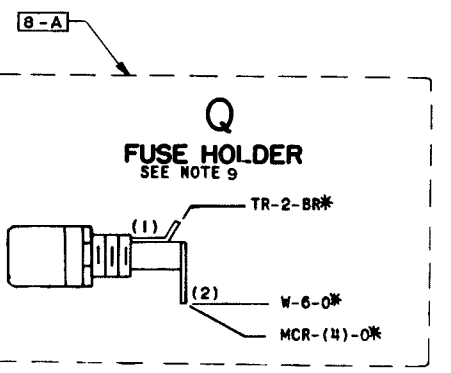
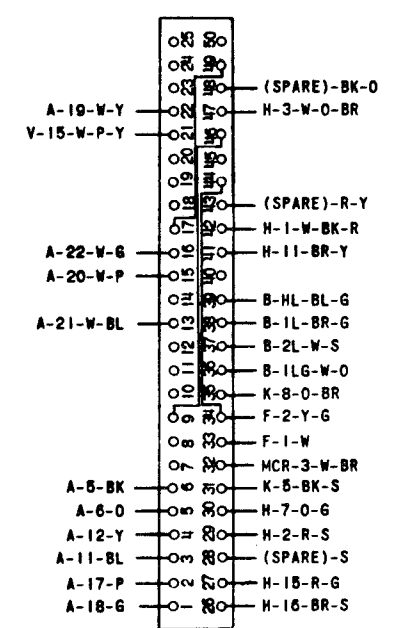
M CONVENIENCE RECEPTACLE



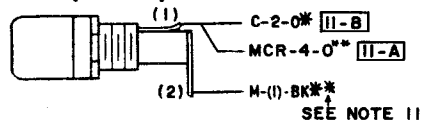
N SWITCH (BREAK & HERE IS)



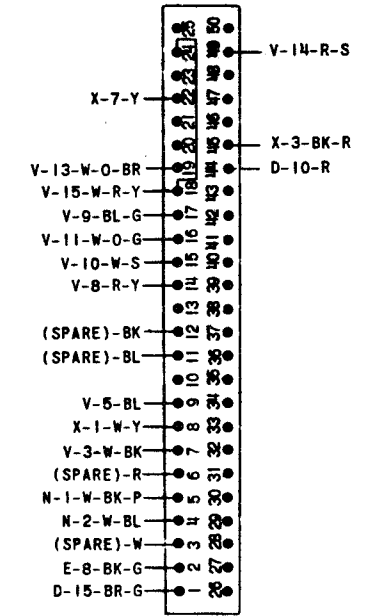
P RECEPTACLE



R FUSE HOLDER (4 AMP)



T PLUG



SEE ISSUE CONTROL RECORD FOR COMPLETE LIST OF SHEETS COMPRISING THIS W.D.

SHEET 2

ACTUAL
WIRING DIAGRAM
FOR
CALL CONTROL
UNIT
LCCU301

APPROVALS

D AND R	E OF M
-----	-----

E-NUMBER

PROD. NO. 5825WD

DATE 7-13-64

P.D. FILE NO. I-159.151AA

DRAWN A.D. CHKD. J.G.M.

ENGD. R.D.S. APPD. R.G.G.

TELETYPE
CORPORATION

5825WD

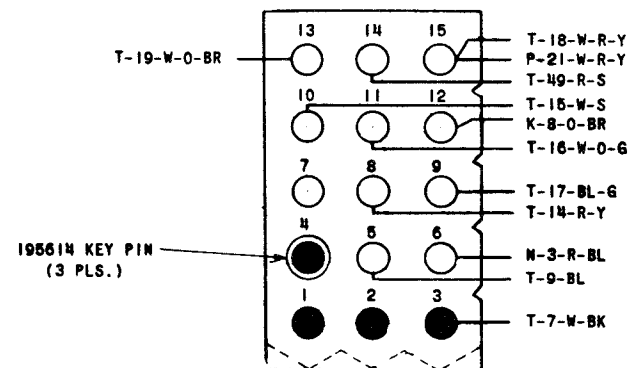
NOTE:
REVISION INFORMATION MUST ALSO BE
REFLECTED ON THE ISSUE CONTROL REC-
ORD, WHICH IS A PART OF THIS DRAWING.

5825 WD

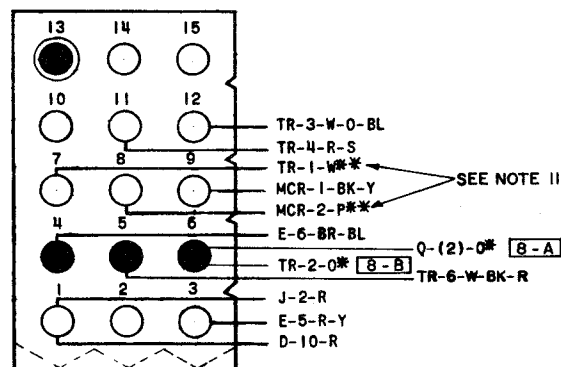
REVISIONS

ISSUE	DATE	AUTH. NO.
A 2	8-17-62	74252
B 3	4-3-63	76412
C 4	8-28-63	77565
D 5	1-15-64	79804
E 6	1-31-64	79903
7	1-5-65	85704
8	3-15-65	84599-1
9	8-6-65	88293
10	6-29-66	90965
11	11-28-66	91420
12	3-28-68	95607

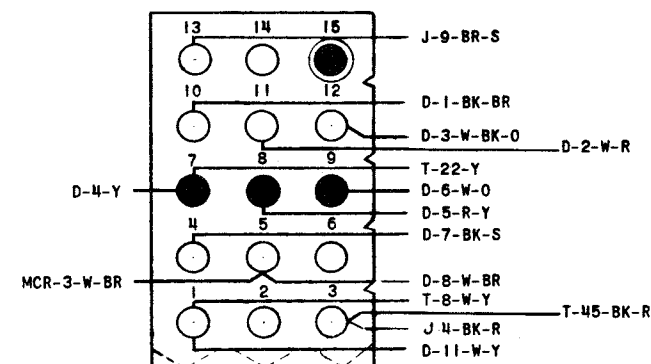
V CONNECTOR (NUMBER & POSITION-8)



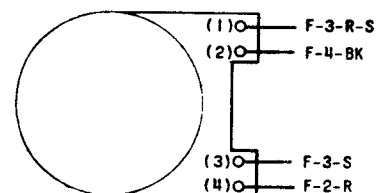
W CONNECTOR (NUMBER & POSITION-7)



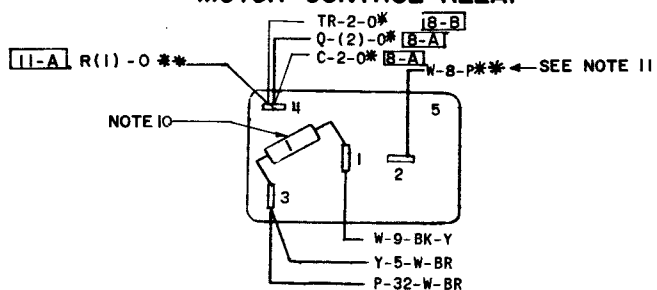
X CONNECTOR (NUMBER & POSITION-6)



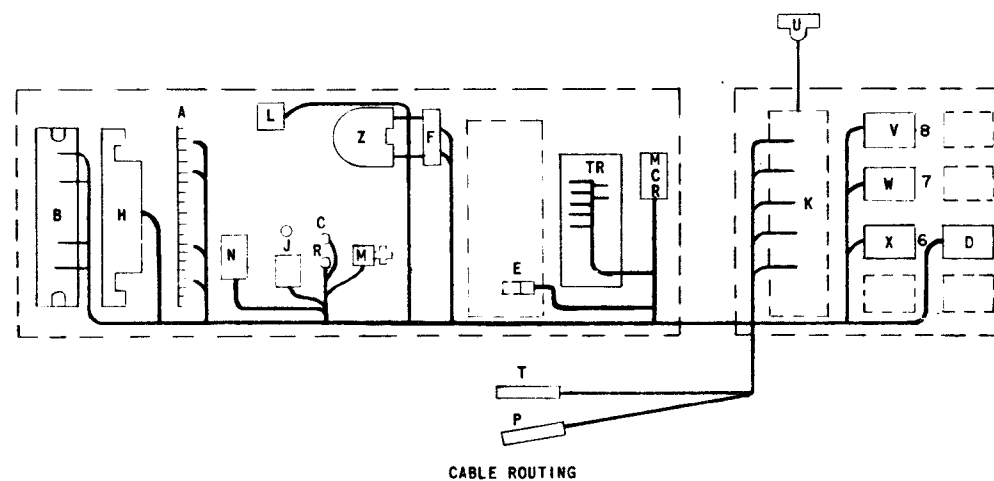
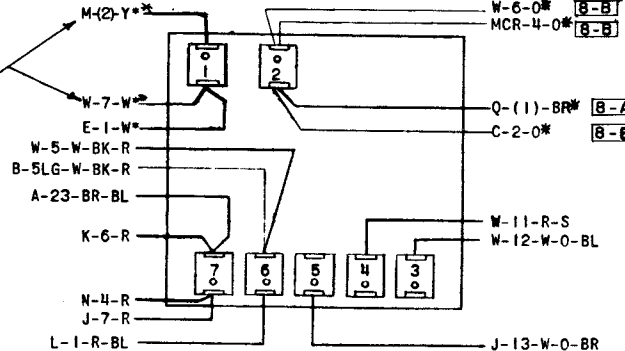
Z RINGER



MCR MOTOR CONTROL RELAY



TR TRANSFORMER (10-14-48 VAC)



SEE ISSUE CONTROL RECORD FOR COMPLETE LIST OF SHEETS COMPRISING THIS W.D.

SHEET 3

ACTUAL
WIRING DIAGRAM
FOR
CALL CONTROL
UNIT
LCCU301

APPROVALS

D AND R
E OF M

E-NUMBER

PROD. NO. 5825WD

DATE 7-13-64

P.D. FILE NO. 1-159.151AA

DRAWN A.D. CHKD. J.G.M.

ENGD. R.D.S. APPD. R.G.G.

TELETYPE
CORPORATION

5825 WD