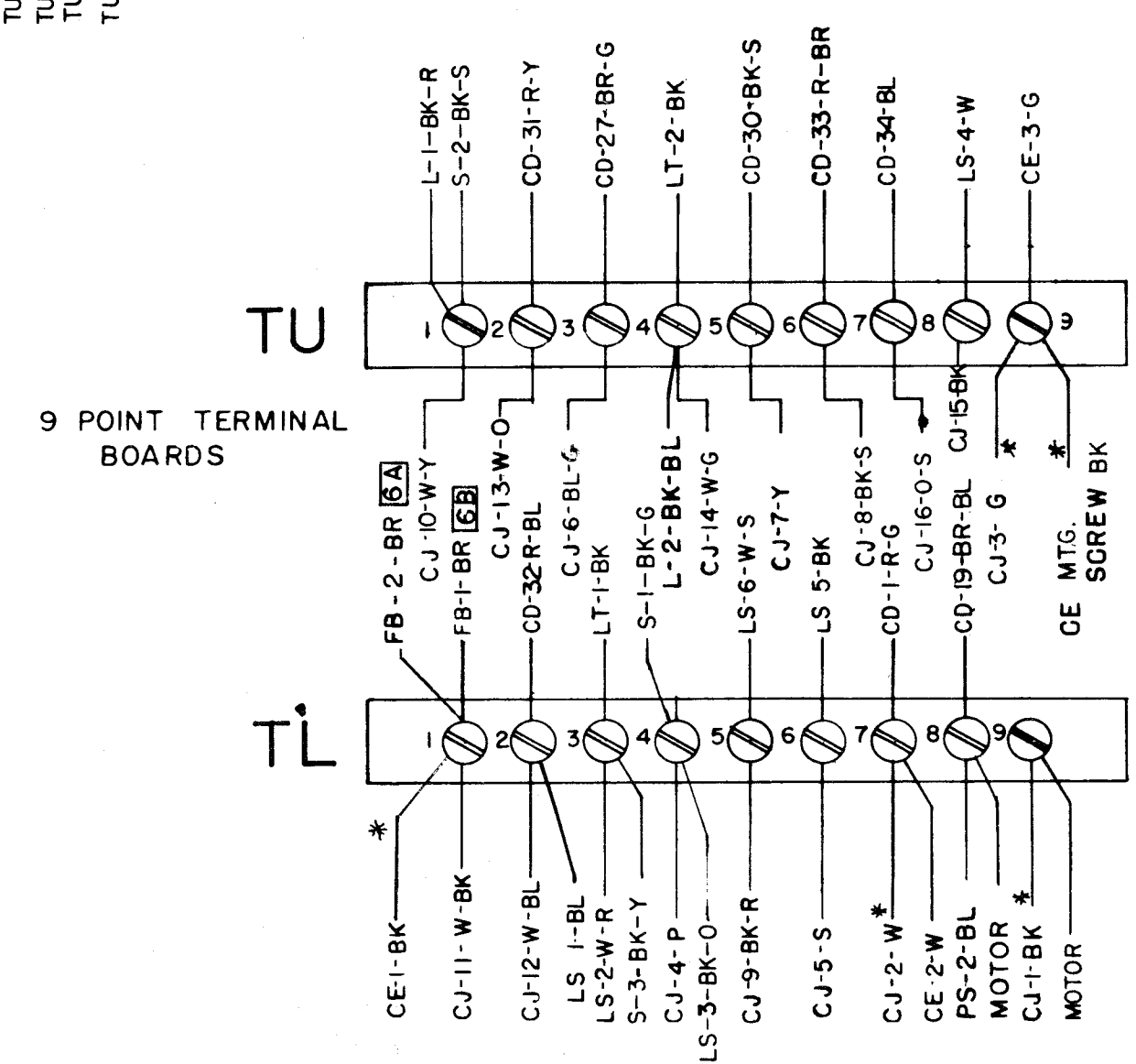
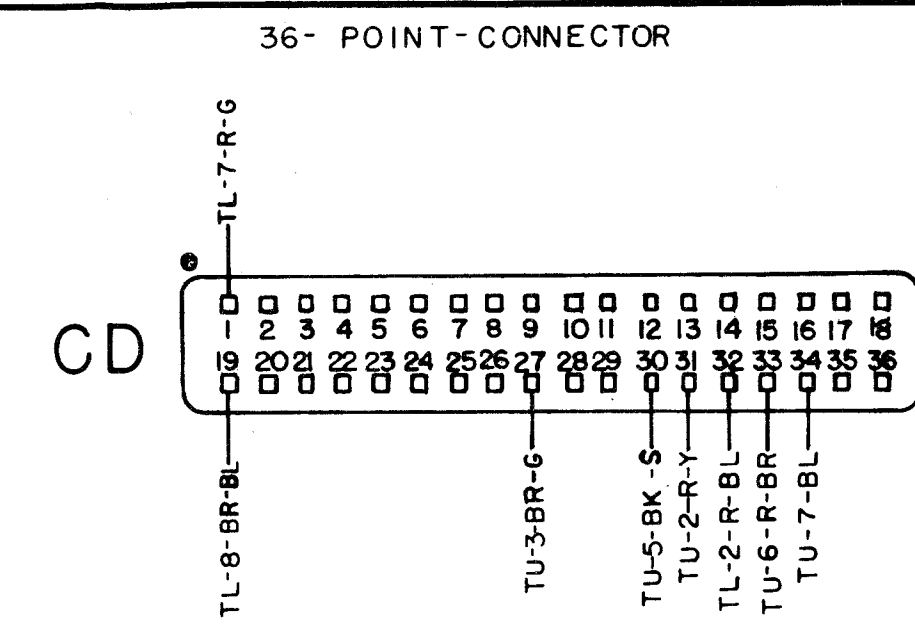
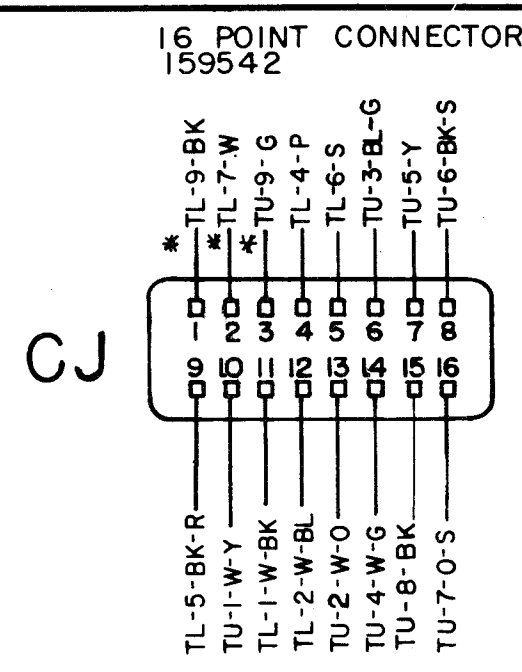
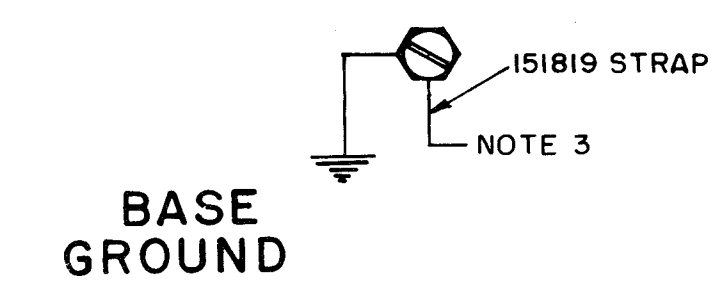
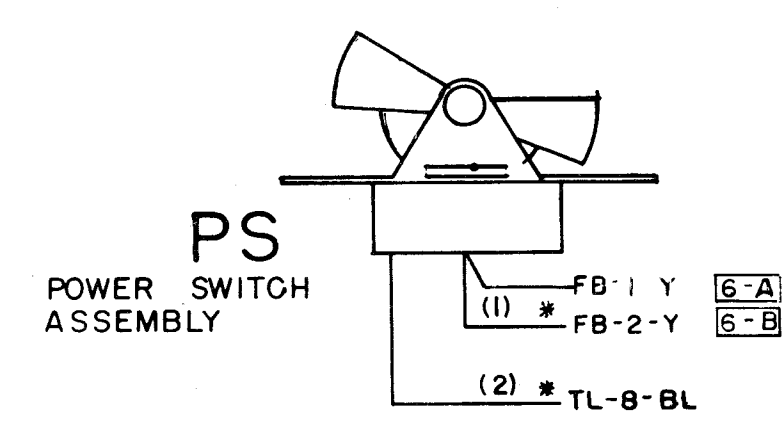
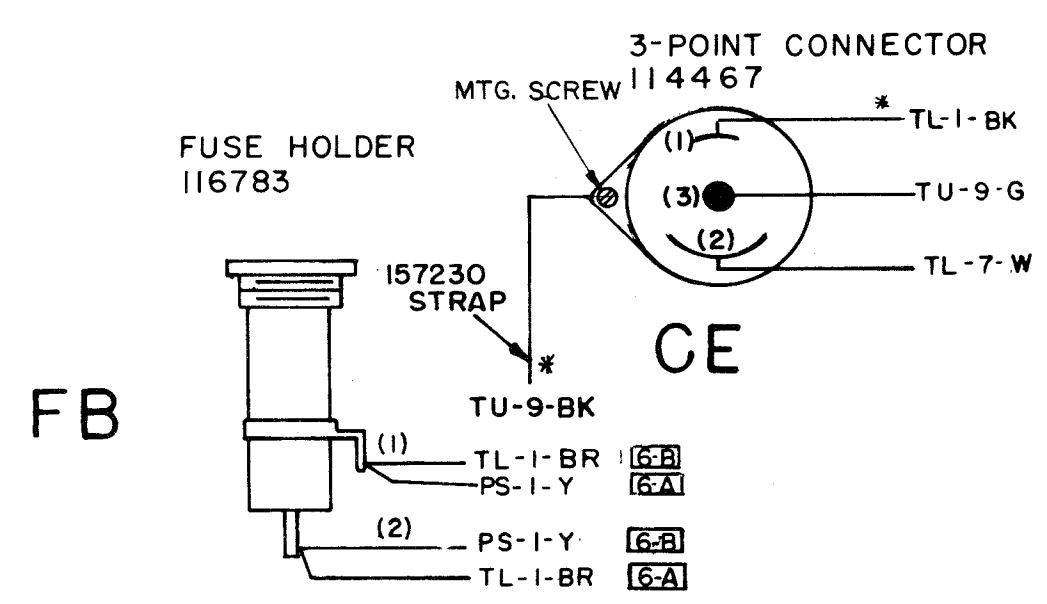
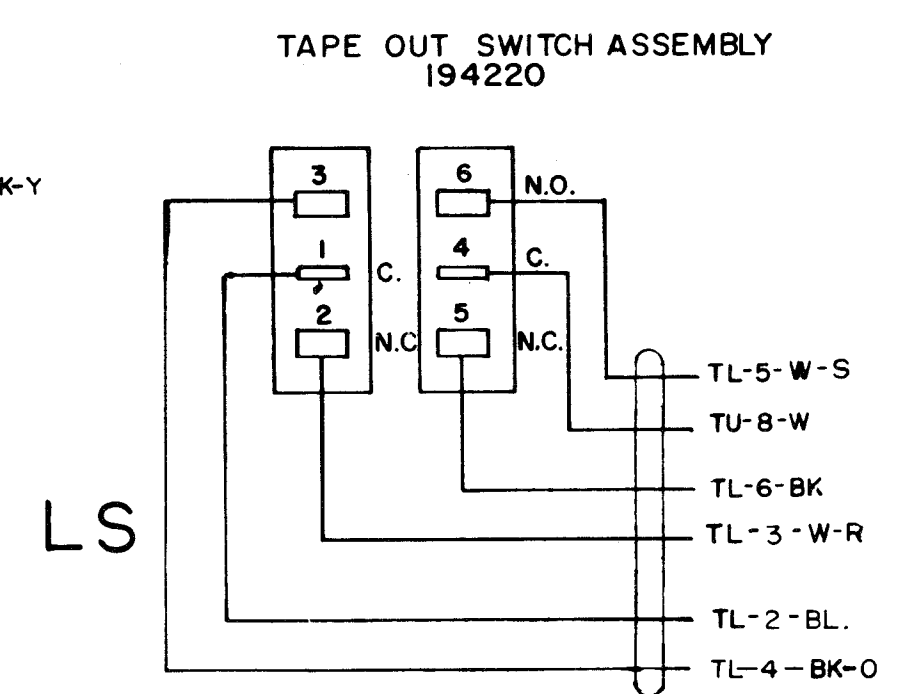
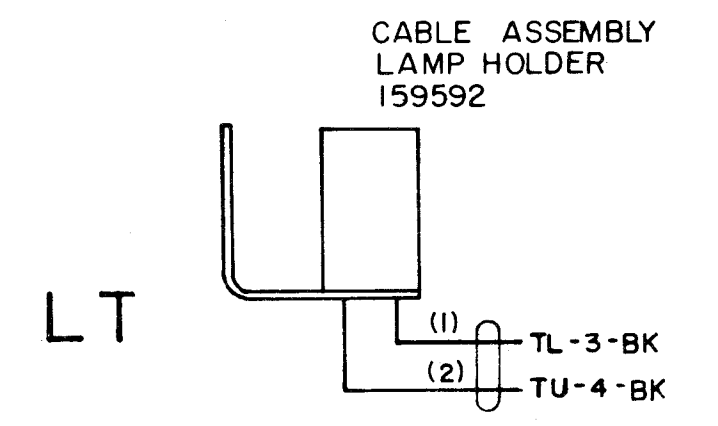
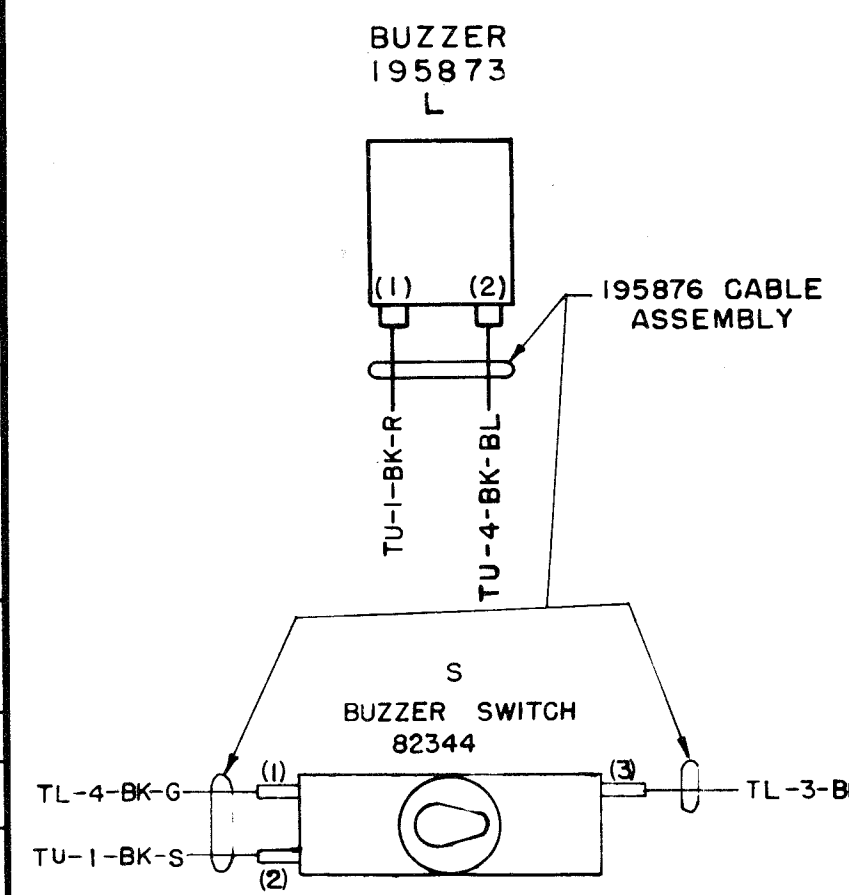


- NOTES**
- 1. WIRING LEGEND**
- 
- DISTANT TERMINATING AREA  
DISTANT TERMINAL DESIGNATION  
A-I-W-BL  
WIRE COLOR CODE
- 2. COLOR CODE**
- |          |                   |
|----------|-------------------|
| BK-BLACK | W-BK-WHITE-BLACK  |
| BR-BROWN | W-R-WHITE-RED     |
| O-ORANGE | W-O-WHITE-ORANGE  |
| Y-YELLOW | W-Y-WHITE-YELLOW  |
| G-GREEN  | W-G-WHITE-GREEN   |
| BL-BLUE  | W-BL-WHITE-BLUE   |
| P-PURPLE | W-S-WHITE-SLATE   |
| S-SLATE  | BK-R-BLACK-RED    |
| W-WHITE  | BK-Y-BLACK-YELLOW |
|          | BK-G-BLACK-GREEN  |
|          | BK-S-BLACK-SLATE  |
|          | BR-G-BROWN-GREEN  |
|          | BR-BL-BROWN-BLUE  |
|          | R-BR-RED-BROWN    |
|          | Y-Y-RED-YELLOW    |
|          | R-BL-RED-BLUE     |
|          | R-S-RED-SLATE     |
|          | O-S-ORANGE-SLATE  |
|          | BL-G-BLUE-GREEN   |
|          | BL-S-BLUE-SLATE   |
- 3.** CONNECT 151819 STRAP ON BASE GROUND TO REAR SPACER MOUNTING SCREW ON TAPE CONTAINER ASSEMBLY
- 4.** \* INDICATES 18 GA. WIRE.
- 5.** ALL CONNECTORS ARE VIEWED FROM SOLDER TERMINAL END.
- 6.** CHANGE WAS MADE TO CONNECT LIVE SIDE OF POWER TO BASE OF FUSEHOLDER INSTEAD OF TO SIDE TO CONFORM TO STANDARD WIRING PRACTICE.
- 7. WIRING STATUS:**  
RECTANGULAR BOX INDICATES HISTORY OF WIRING CHANGES.  
B DENOTES WIRING BEFORE THE CHANGE DESCRIBED BY DESIGNATED NOTE ENTERED THE NUMBER PRODUCT.  
A DENOTES WIRING AFTER THE CHANGE DESCRIBED BY THE DESIGNATED NOTE ENTERED THE PRODUCT.



RTTY ELECTRONICS  
TELETYPE=Sales-Service-Parts  
PO Box 20101, Sobrante, Ca.  
94820. (510)222-3102  
mr\_rtty@pacbell.net

5846 WD		
ISSUE	DATE	AUTH. NO.
12	8-21-62	74288
13	9-24-62	74640
14	11-15-62	75131
15	1-14-63	75591
16	5-8-63	76470
17	7-31-63	76470-1
18	8-6-64	76470-3
19	10-17-64	83155
10	12-5-66	92185
11	1-19-67	88005

APPROVALS	
D ANDR	E OF M
E NUMBER	
PRODDNO. 5846 WD	
ACTUAL WIRING DIAGRAM	
MODEL 35	
REPERFORATOR BASE	
LRB - 300	
DATE: 4-27-62	
PD FILE NO. 2-64/49 151AA	
DRAWN GLZ	CHKD
ENGD JAC	APPD
TELETYPE CORPORATION	
5846 WD	