

ISSUE	DATE	AUTH. NO.

NOTES

1 WIRING LEGEND:
 DISTANT TERMINATING AREA
 DISTANT TERMINAL DESIGNATION
 A-I-W
 WIRING COLOR CODE

2

COLOR CODE	
BK - BLACK	R-BL - RED - BLUE
BR - BROWN	R-G - RED - GREEN
R - RED	W-BK - WHITE - BLACK
O - ORANGE	W-BR - WHITE - BROWN
Y - YELLOW	W-R - WHITE - RED
BL - BLUE	W-O - WHITE - ORANGE
P - PURPLE	W-Y - WHITE - YELLOW
S - SLATE	W-G - WHITE - GREEN
W - WHITE	W-BL - WHITE - BLUE
G - GREEN	W-P - WHITE - PURPLE
	W-S - WHITE - SLATE
	R-Y - RED - YELLOW

3 CONNECTORS VIEWED FROM SOLDER TERMINAL ENDS.

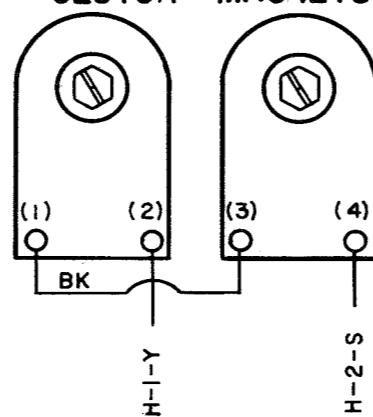
4 ALL CONTACTS SHOWN IN UNOPERATED POSITION.

5 THE NUMBERS ENCLOSED BY PARENTHESES ARE USED FOR REFERENCE AND ARE NOT NECESSARILY SHOWN ON THE PARTS.

6 115V. AC ± 10% POWER TO BE USED ON CLUTCH TRIP MAGNET ASSEMBLY CIRCUIT (256 M COIL ASSEMBLIES). IF D.C. IS USED, CURRENT MUST BE LIMITED TO 100MA BY AN EXTERNAL RESISTANCE (COIL RESISTANCE = 74 Ω EACH). FOR 120V. D.C. ± 10% POWER, AN EXTERNAL RESISTANCE OF 1000 Ω IS REQUIRED. FOR 50V. D.C. ± 10% POWER AN EXTERNAL RESISTANCE OF 350 Ω IS REQUIRED.

7. REFER TO 5879WD FOR SCHEMATIC.

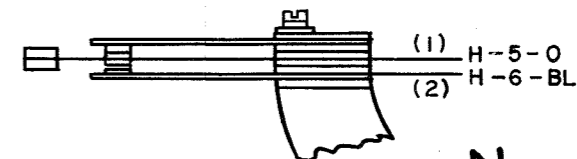
A
 TRANSMITTER DISTRIBUTOR
 CLUTCH MAGNETS



B
 CONTROL LEVER
 CONTACT ASSEMBLY



C
 TAPE-OUT
 CONTACT ASSEMBLY



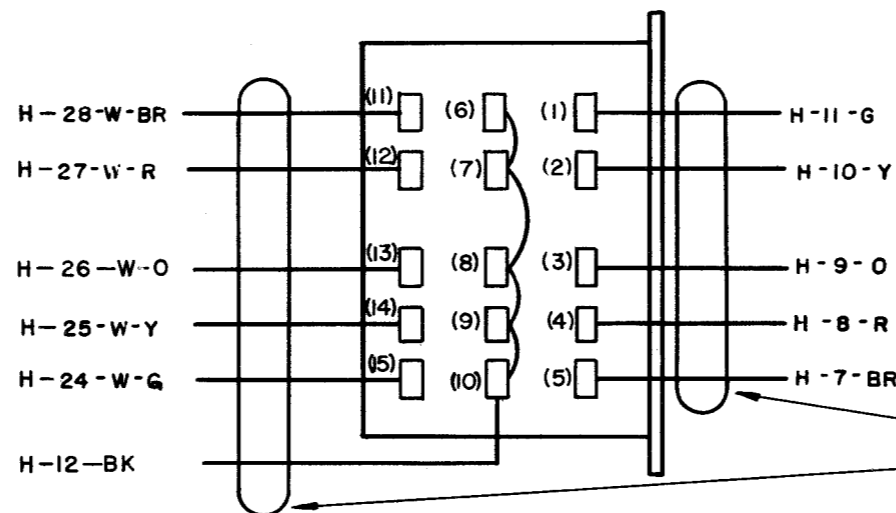
N
 AUXILIARY #2 CONTACTS



O
 AUXILIARY #1 CONTACTS

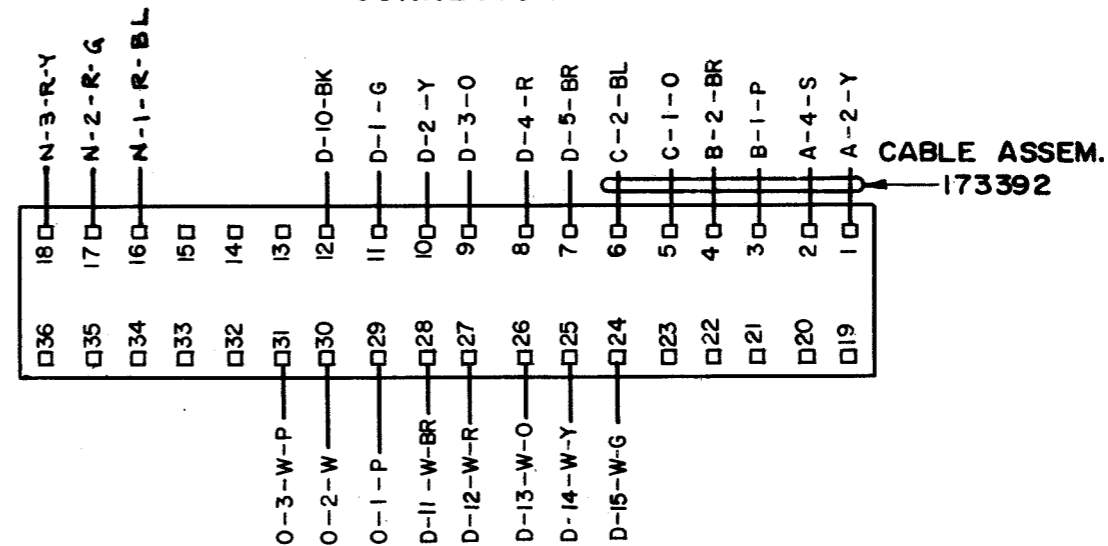


D
 MULTIPLE WIRE
 OUTPUT CONTACTS



CABLE ASSEMBLY
 194579

H
 CONNECTOR



CABLE ASSEM.
 173392

RTTY ELECTRONICS
 TELETYPE=Sales-Service-Parts
 PO Box 20101 El Sobrante, Ca.
 94820. (510)222-3102
 mr_rtty@pacbell.net

ACTUAL
 WIRING DIAGRAM
 MODEL 28
 TRANSMITTER
 LX4

APPROVALS

D AND R E OF M

E-NUMBER

PROD. NO. 5889WD

DATE: 8-17-62

P.D. FILE NO. 4-95RAA

DRAWN: G.J.M. CHKD

ENGD. P.H.B. APPD

TELETYPE
 CORPORATION

5889WD