
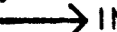
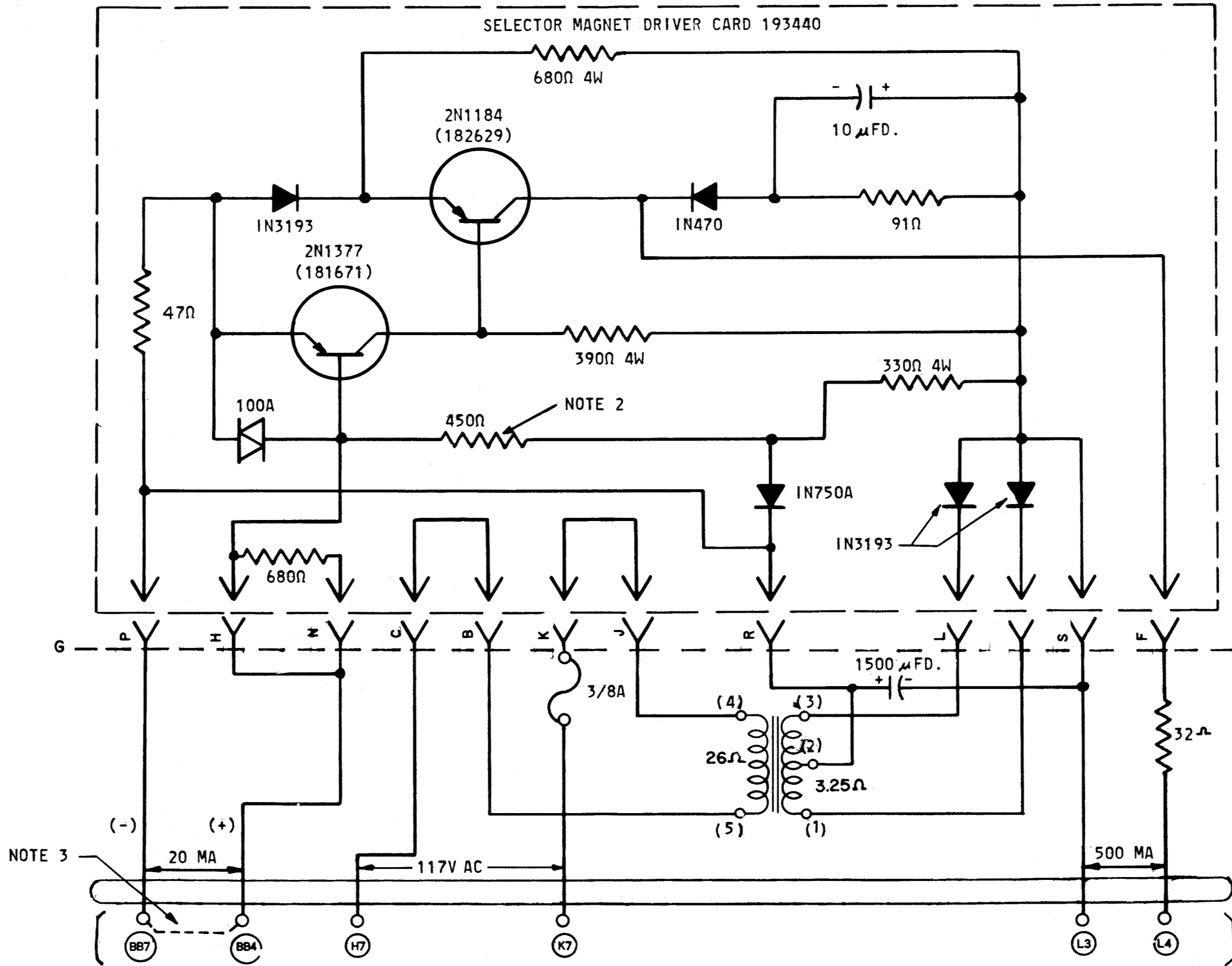


5949WD

ISSUE	DATE	AUTH. NO.
2	8-6-64	83021

- NO. NOTES
- REFER TO 5826WD AND 6035WD FOR ACTUAL AND WIRING LIST.
 - CIRCUIT IS WIRED FOR .020 A SIGNAL LINE INPUT. FOR .060A INPUT, 450 OHM RESISTOR MUST BE CHANGED TO 140 OHM.
 - IN ORDER TO BLIND THE SELECTOR MAGNET DRIVER TO LINE SIGNALS AND MAINTAIN A STEADY MARK OUTPUT, THE FOLLOWING CHANGE IS RECOMMENDED; ADD A STRAP ACROSS TERMINALS BB7 AND BB4
 - ALL VOLTAGES DC UNLESS OTHERWISE SPECIFIED.
 - ALL CAPACITANCE VALUES IN MICROFARADS UNLESS OTHERWISE SPECIFIED
 -  INDICATES FEMALE AND
 INDICATES MALE TERMINALS.
 - TERMINAL DESIGNATIONS ENCLOSED IN PARENTHESES ARE FOR REFERENCE AND ARE NOT MARKED ON COMPONENT.



RTTY ELECTRONICS
 TELETYPE=Sales-Service-Parts
 PO Box 20101 El Sobrante, Ca.
 94820. (510)222-3102
 mr_rtty@pacbell.net

SELECTOR MAGNET DRIVER ASSEMBLY
 193400
 USED ON
 194605
 SERVICE UNIT ASSEMBLY

APPROVALS

D AND R	E OF M
<i>[Signature]</i>	<i>[Signature]</i>

E-NUMBER

PROB. NO. 5949WD

DATE: 8-25-62

P.D. FILE NO. 3-95AAA

DRAWN G.M. CHKD. *[Signature]*

ENGR. P.H.B. APPD.

TELETYPE CORPORATION

5949WD

CONNECTIONS TO SERVICE UNIT TERMINAL BOARD

EFK