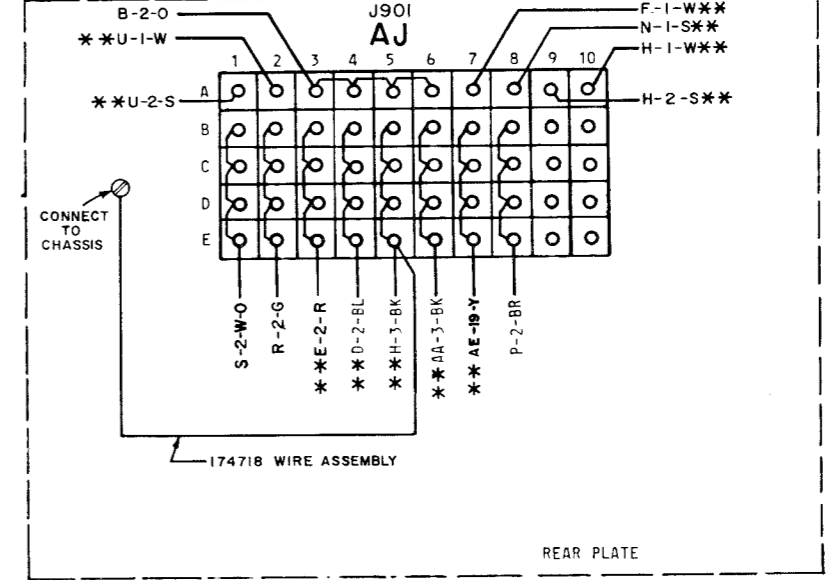
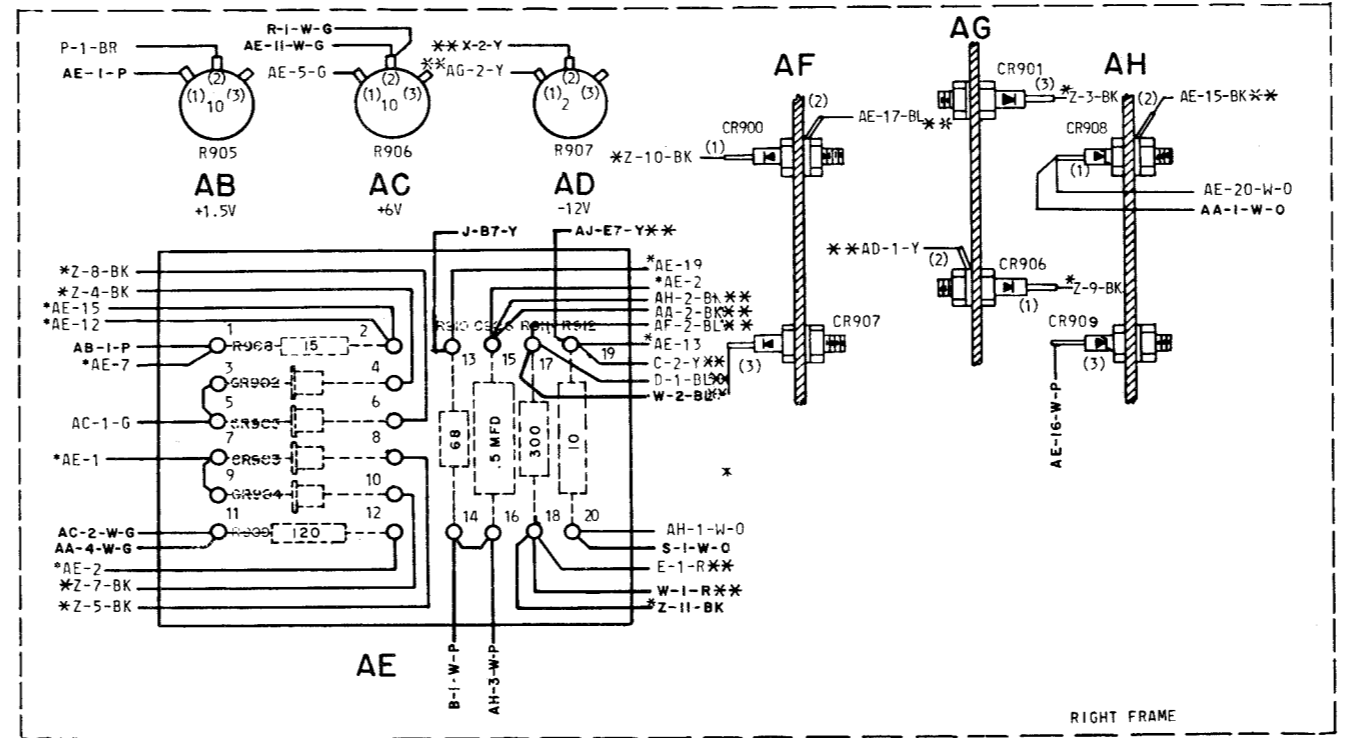
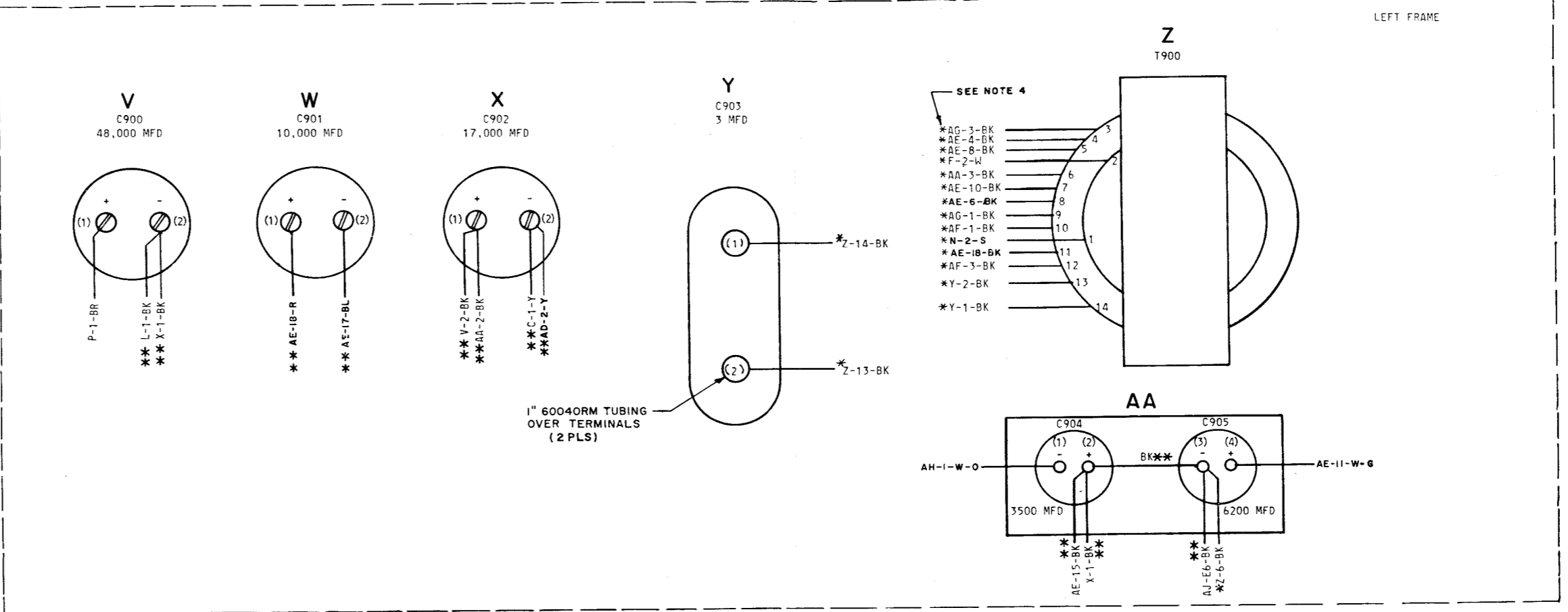
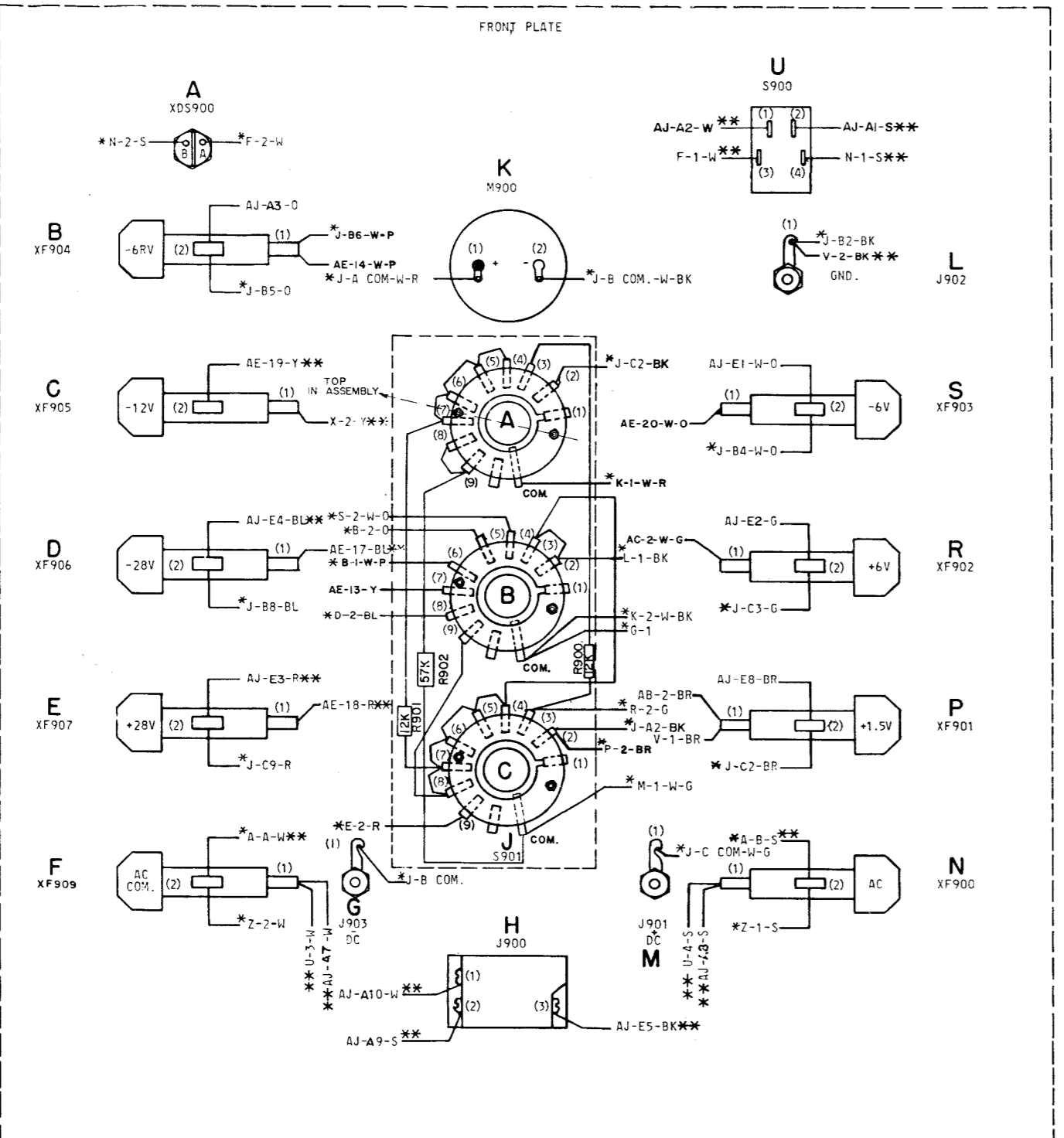


10. NOTES
1. WIRING LEGEND:  
 DISTANT TERMINATING AREA.  
 DISTANT TERMINATING DESIGNATION  
 WIRE COLOR CODE  
 R-12-BL
  2. REFER TO 5989WD FOR SCHEMATIC
  3. CONNECTIONS VIEWED FROM TERMINAL SIDE.
  4. WIRES WHICH HAVE AN \* ATERISK BEFORE THEIR DESIGNATION ARE NOT PART OF CABLE ASSEMBLY 148278.
  - 5A. WIRES WHICH ARE NOT COLOR CODED ARE TO BE BARE #20 GA. STRAPPING WIRE 39522RM.
  - 5B. WAFER SWITCH STRAPPING TO BE 24GA. BARE WIRE RM 39555.
  6. USE 60336RM SLEEVING TO INSULATE STRAPPING WIRE WHERE NECESSARY.
  7. USE 148279 CABLE ASSEMBLY.
  8. PARENTHESES INDICATE TERMINAL DESIGNATIONS FOR REFERENCE ONLY.
- FUSE VALUES CORRESPONDING TO FUSE HOLDER:
- |       |      |
|-------|------|
| XF900 | 1.6A |
| XF901 | 2A   |
| XF902 | 1A   |
| XF903 | 1A   |
| XF904 | 1A   |
| XF905 | 3A   |
| XF906 | 6A   |
| XF907 | 6A   |
| XF909 | 1.6A |
9. WIRE COLOR CODES:  
 WHITE - W  
 BLACK - BK  
 SLATE - S  
 YELLOW - Y  
 BLUE - BL  
 RED - R  
 ORANGE - O  
 BROWN - BR  
 GREEN - G  
 WHITE BLACK - W-BK  
 WHITE RED - W-R  
 WHITE ORANGE - W-O  
 WHITE GREEN - W-G
10. \*\* INDICATES BAWG WIRE.



RTTY ELECTRONICS  
 TELETYPE Sales-Service-Parts  
 PO Box 20101 El Sobrante, Ca.  
 94820 (510) 222-3102  
 mr\_rty@pacbell.net

ACTUAL WIRING DIAGRAM FOR MULTI-VOLTAGE POWER SUPPLY (ASSEM. NO. 148278)

APPROVALS  
 D. J. H. R. E. G. M.  
 E. NUMBER  
 PROJ. NO.  
 DATE  
 P.O. FILE NO.  
 DRAWN CHD  
 ENGR. L. H. W. C.  
 TELETYPE CORPORATION  
 5990WD