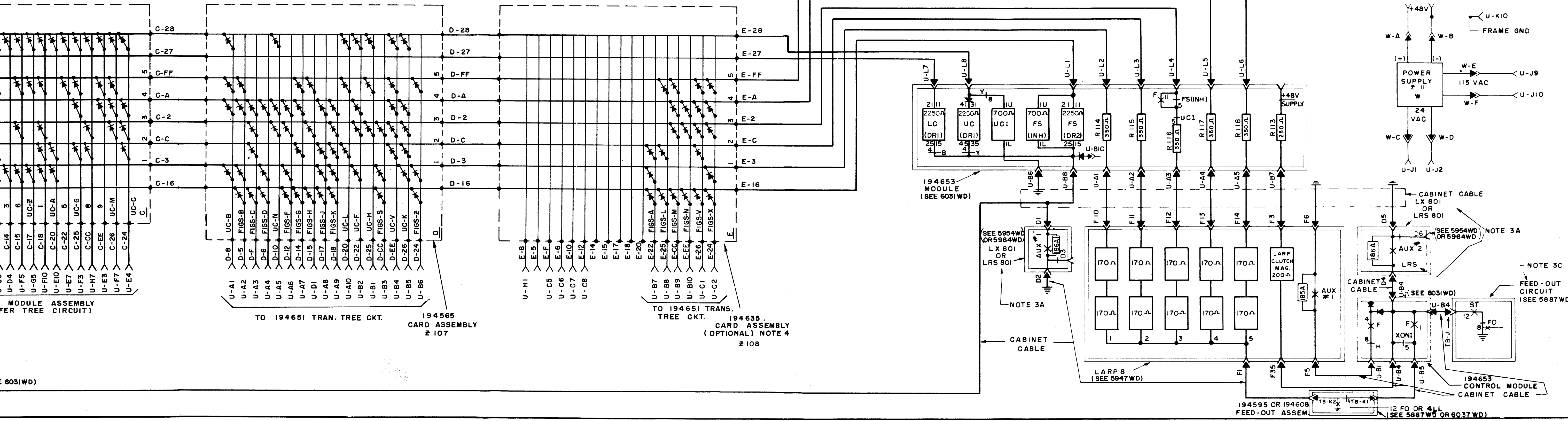


D
#106



6033WD		
ISSUE	DATE	AUTH. NO.
1	7-31-63	77396
2	8-24-63	78176
3	8-24-63	78176
4	8-14-64	82350

SCHEMATIC DIAGRAM FOR 8 TO 5 LEVEL CODE CONVERTER 194652 MATRIX ASSEMBLY	
APPROVALS	
D AND R	E OF M
E NUMBER	
PROD. NO. 6033WD	
DATE: 8-11-62	
P.D. FILE NO 3-95AA	
DRAWN	CHKD
ENGD PWB	APPD
TELETYPE CORPORATION	
6033WD	

NO	NOTES
1	REFER TO 6034 WD FOR WIRING LIST.
2	A-E CONNECTOR 193033 W CONNECTOR 171651
3A	SIGNAL TO-TAPE CONVERTER USES LRS 801 TAPE-TO-TAPE CONVERTER USES LX 801
3B	CONTACT 5LL IS REPLACED BY CONTACT 11 FO IN THE TAPE-TO-TAPE CONVERTER.
3C	CONTACT 8FO IS OMITTED AND CONTACT 12ST BECOMES A PUSH-BUTTON SWITCH, S102 CONTACT 1-4 IN THE TAPE-TO-TAPE CONVERTER.
4	FOR CONVERSIONS TO ADDITIONAL 2-CHARACTER SEQUENCES USE CARD 194635.
5	ALL VOLTAGES DC UNLESS OTHERWISE SPECIFIED.
6	↘ INDICATES FEMALE AND ↙ INDICATES MALE TERMINALS.

RTTY ELECTRONICS
TELETYPE=Sales-Service-Parts
PO Box 20101 El Sobrante, Ca.
94820. (510)222-3102
mr_rtty@pacbell.net

