

TIME 1.0

506-0183-002 CU-886

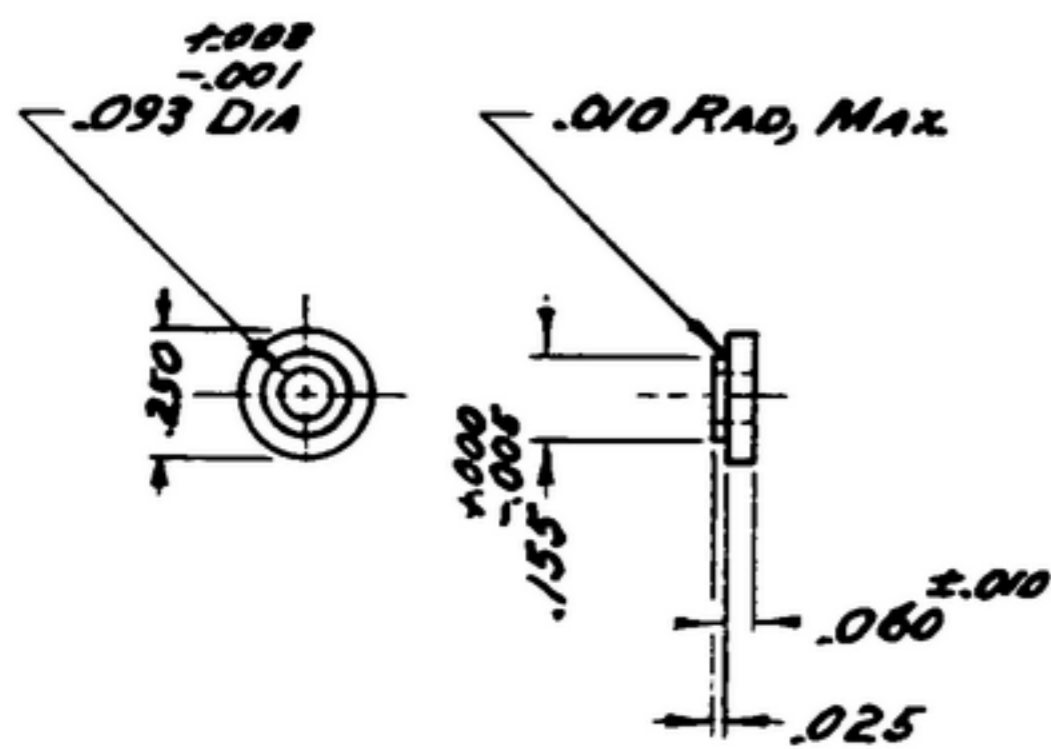
NOTICE: When Government drawings, specifications, or other data are used for any purpose other than in connection with a definitely related Government procurement operation, the United States Government hereby incurs no responsibility or any obligation whatsoever and the fact that the Government may have formulated, furnished, or in any way supplied the said drawings, specifications, or other data is not to be regarded by implication or otherwise as in any manner granting the holder or any other person or corporation, or conveying any rights or permission to manufacture, use or sell any patented invention that may in any way be related thereto.

NEXT ASSEMBLY	USED ON
SM-B-170784	SC-DL-170759
SM-C-283265	SC-DL-248775

REVISIONS			
SYM	DESCRIPTION	DATE	APPROVAL

NOTE:

*FOR INFORMATION ONLY,
CONTRACTOR MAY AT HIS
OPTION DEVIATE FROM
THESE PROCESS DETAILS



PLASTIC TYPE PBE, FORM R,
PER SPEC. MIL-P-79.

UNLESS OTHERWISE SPECIFIED	QTY	PART NO.	DESCRIPTION	MATERIAL	SPEC.	NOTE
DIMENSIONS ARE IN INCHES TOLERANCES ON FRACTIONS ± DECIMALS ± .005 ANGLES ± COMMERCIAL TOLERANCES APPLY TO STOCK SIZES ALL SURFACES ✓			WASHER AUTHENTICATION DRAWN 21852-PH-50-93 TRACED PHOTO CHECKED Dem VERIFIED POOR APPROVED POOR REVIEWED PDE DATE 1-MAY-53			DEPARTMENT OF THE ARMY SIGNAL CORPS ENGINEERING LABORATORIES FORT MONMOUTH NEW JERSEY SM-B-170787
			SCALE 2/1	FINISH		

WHEN REFERRING TO THIS DRAWING STATE DRAWING NO., APPLICABLE ISSUE SYMBOL AND DATE