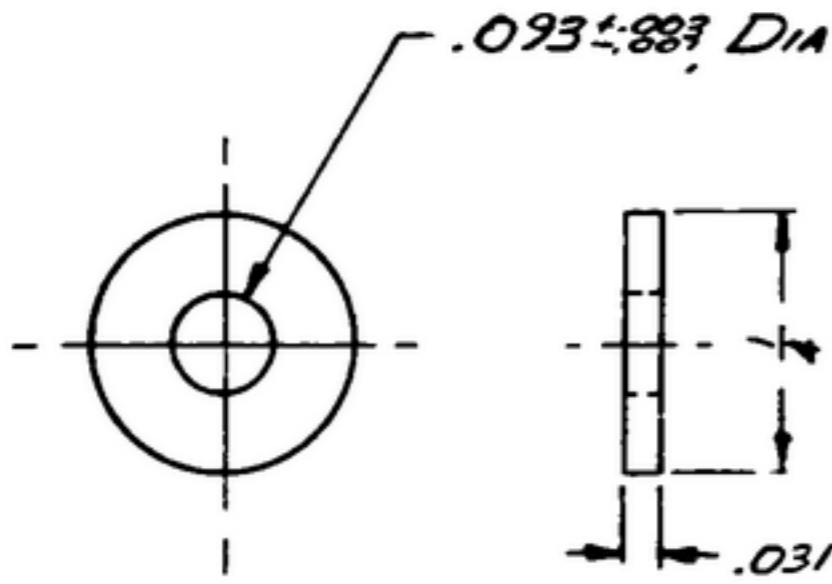


NOTICE: When Government drawings, specifications, or other data are used for any purpose other than in connection with a definitely related Government procurement operation, the United States Government thereby incurs no responsibility or any obligation whatsoever and the fact that the Government may have furnished, or in any way supplied the said drawings, specifications, or other data is not to be regarded by implication or otherwise as in any manner recognizing the holder or any other person or corporation, or conveying any rights or privileges to manufacture, use or sell any patented invention that may in any way be related thereto.

NEXT ASSEMBLY	USED ON
SM-B-170784	SC-DL-170759
SM-C-283265	SC-DL-248773

REVISIONS			
SYM	DESCRIPTION	DATE	APPROVAL



PLASTIC TYPE (PBE-P) PER SPEC. MIL-P-3115

QTY	PART NO.	DESCRIPTION	MAT.	SPEC.	NOTE
UNLESS OTHERWISE SPECIFIED DIMENSIONS ARE IN INCHES TOLERANCES ON FRACTIONS ± 1/64 DECIMALS ± .005 ANGLES ± COMMERCIAL TOLERANCES APPLY TO STOCK SIZES ALL SURFACES ✓		AUTHENTICATION DRAWN 21232-DH-50-93 TRACED PHOTO CHECKED RLM VERIFIED DD-OR APPROVED DD-OR REVIEWED PME DATE JUN-53	WASHER		DEPARTMENT OF THE ARMY SIGNAL CORPS ENGINEERING LABORATORIES FORT MONMOUTH NEW JERSEY
		SCALE 4/1	FINISH -----		SM-B-170788

WHEN REFERRING TO THIS DRAWING STATE DRAWING NO., APPLICABLE ISSUE SYMBOL AND DATE