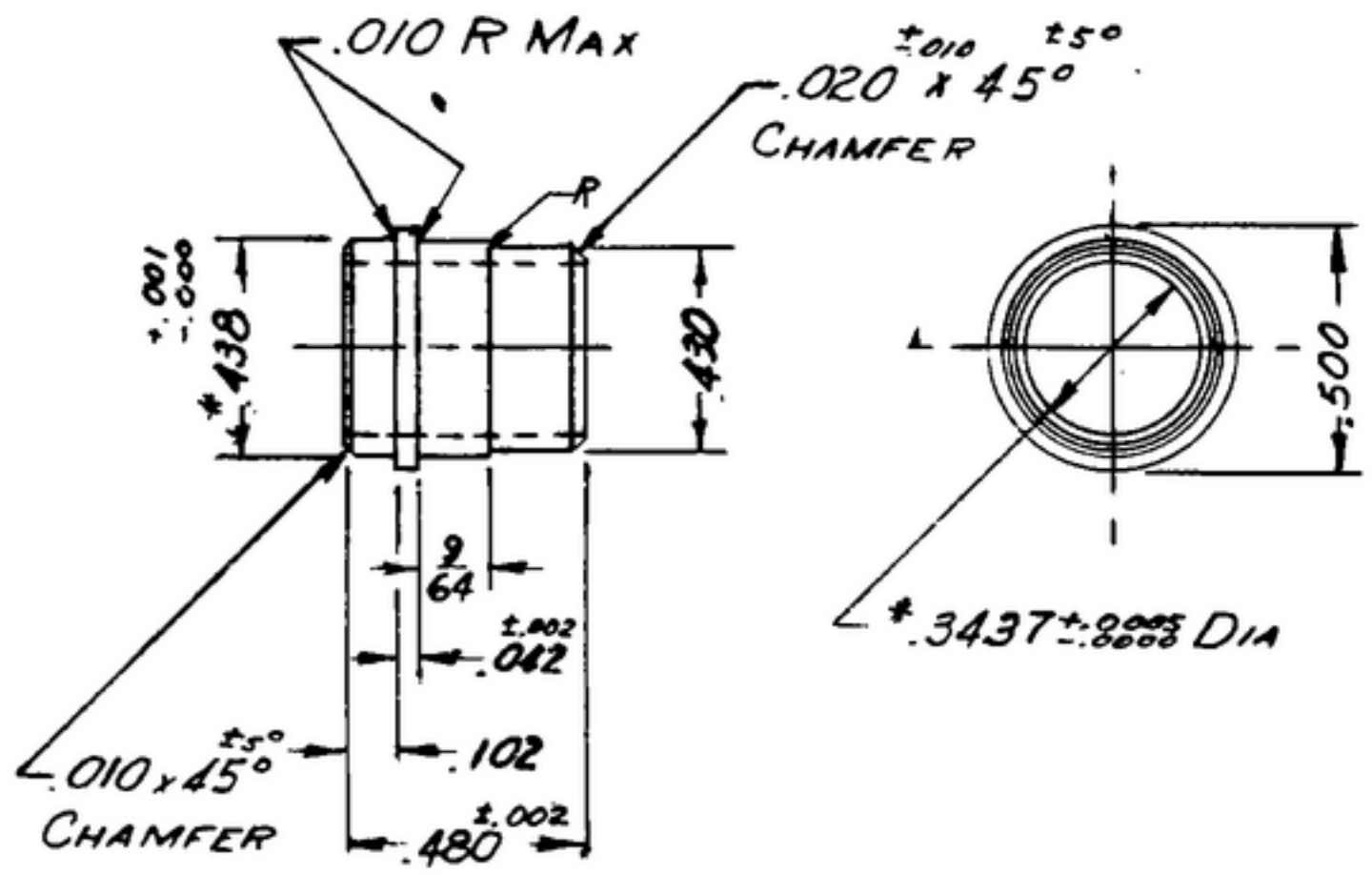


R-304-506-19-57-06

1.0  
 NOTICE: When Government drawings, specifications, or other data are used for any purpose other than in connection with a definitely related Government procurement operation, the United States Government thereby incurs no responsibility or any obligation whatsoever; and the fact that the Government may have formulated, furnished, or in any way supplied the said drawings, specifications, or other data is not to be regarded by implication or otherwise as in any manner licensing the holder or any other person or corporation, or conveying any rights or permission to manufacture, use or sell any patented invention that may in any way be related thereto.

NEXT ASSEMBLY	USED ON	APPROVAL
SM-B-178935	SC-DL-178467	K SWE APPROVAL S BR Y 10042 M -3
SM-B-178935	SC-DL-248775	

REVISIONS		DATE	APPROVAL
SYM	DESCRIPTION		
A <sub>2</sub>	A, BRASS SPEC WAS COMP B PER QQ-B-611 A <sub>2</sub> ADDED APPL SM-B-178935, SC-DL-248775	5 OCT 59	42428-PC-59-A1-S1 REV'D
B	(1) ADDED NOTE 4 FINISH	31 OCT 61	42428-PC-59 REV'D PME



- NOTES (A<sub>1</sub>)
- BRASS COMP 22, 1/2 HARD, PER SPEC QQ-B-626
  - ECCENTRICITY BETWEEN DIAMETERS MARKED \*, ON SAME CENTER LINE, SHALL NOT EXCEED .002 TIR
  - REMOVE ALL BURRS AND SHARP EDGES.
  - FINISH: CHEMICAL POLISH PER IRIDITE #7 METCOTE PROCESS BU ALLIED RESEARCH PRODUCTS INC., BALTIMORE, MD., OR EQUAL.
- (B<sub>1</sub>)

NOTE:  
 \*FOR INFORMATION ONLY, CONTRACTOR MAY AT HIS OPTION DEVIATE FROM THESE PROCESS DETAILS

ISSUE	DATE	DESCRIPTION	BY	CHK	NOTE
<b>HUB</b>					
AUTHENTICATION DRAWN 21852-PN-50-99 TRACED PHOTO CHECKED K VERIFIED P.D.BR. APPROVED P.D.BR. REVIEWED PME DATE 29-JUN-53					
UNLESS OTHERWISE SPECIFIED DIMENSIONS ARE IN INCHES TOLERANCES ON FRACTIONS ± 1/64 DECIMALS ± .005 ANGLES ± _____ COMMERCIAL TOLERANCES APPLY TO STOCK SIZES ALL SURFACES . . . N			DEPARTMENT OF THE ARMY SIGNAL CORPS ENGINEERING LABORATORIES FORT MONMOUTH NEW JERSEY <b>SM-B-178938</b>		

WHEN REFERRING TO THIS DRAWING STATE DRAWING NO., APPLICABLE ISSUE SYMBOL AND DATE