

EQUIP. TYPE *R390A11RR* EXP. NO.

COL 5061831-002

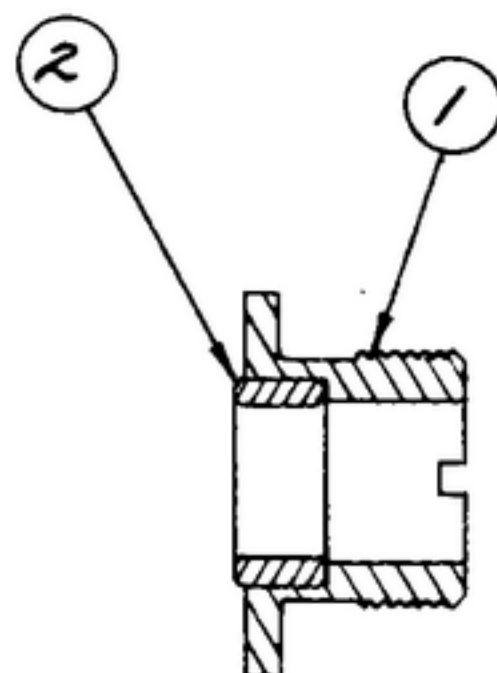
NOTICE: WHEN GOVERNMENT DRAWINGS, SPECIFICATIONS, OR OTHER DATA ARE USED FOR ANY PURPOSE OTHER THAN IN CONNECTION WITH A DEFINITELY RELATED GOVERNMENT PROCUREMENT OPERATION, THE UNITED STATES GOVERNMENT THEREBY INCURS NO RESPONSIBILITY FOR ANY OBLIGATION WHATSOEVER AND THE FACT THAT THE GOVERNMENT MAY HAVE FORMULATED, FURNISHED, OR IN ANY WAY SUPPLIED THE SAID DRAWINGS, SPECIFICATIONS, OR OTHER DATA IS NOT TO BE REGARDED BY WHATEVER OR OTHERWISE AS IN ANY MANNER ENDORSING THE HOLDER OR ANY OTHER PERSON OR CORPORATION, OR ASSUMING ANY LIABILITY OR RESPONSIBILITY FOR THE USE, OR SELL, OR BELL ANY PATENTED INVENTION THAT MAY IN ANY WAY BE RELATED THEREBY.

THIS DOCUMENT HAS BEEN FURNISHED BY THE GOVERNMENT AND MAY BE REPRODUCED AND USED IN CONNECTION WITH ANY GOVERNMENT PROCUREMENT OR CONTRACT OPERATION.

* FOR INFORMATION ONLY. CONTRACTOR MAY AT HIS OPTION DEVIATE FROM THESE PROCESS DETAILS.

REVISIONS

SYM	DESCRIPTION	DATE	APPROVAL
-----	-------------	------	----------



NOTES:
 1. PRESS BEARING (2) INTO RETAINER (1) & BURNISH BORE TO $.3125^{+.0005}_{-.0000}$ DIA.

COLLINS PART NO.	ITEM	QTY	PART NO.	DESCRIPTION	MATL	MATL SPEC	NOTES
559 0236 002	2	1	SM-B-283155-3	BEARING			1
558 0114 002	1	1	SM-B-248845	RETAINER-BEARING			

LIST OF MATERIAL

~~COLLINS PART NO. 558 0112 002~~

COLLINS NO.	QTY	NEXT ASSY	USED ON
558 0186 004	2	SM-D-249134	SC-DL-248775

DRAWN *RDG* CHECKED *Williams* APPROVED

UNLESS OTHERWISE SPECIFIED:
 DECIMAL DIMENSIONS INCLUDING HOLE SIZES MAY VARY $\pm .005$
 FRACTIONAL DIMENSIONS INCLUDING HOLE SIZES MAY VARY $\pm 1/64$
 MACHINED ANGLES MAY VARY $\pm 1^\circ$
 SHEARED ANGLES MAY VARY $\pm .25^\circ$
 BROKEN ANGLES MAY VARY $\pm 1^\circ$
 ECCENTRICITY BETWEEN ANY DIAMETERS ON THE SAME CENTERLINE SHALL NOT EXCEED .010 TOTAL INDICATOR READING.
 ALL DIMENSIONS ARE FINISH DIMENSIONS INCLUDING APPLIED FINISH AND ARE GIVEN IN INCHES.

~~COLLINS RADIO CO.~~
~~CEGAR RAPIDS, IOWA~~
 1421A-PH-51-99

SIGNAL CORPS

REVIEWED *PME*

APPROVED *HLV*
PME

DATE *5 DEC 1956* SCALE *2/1*

BEARING ASSY

DEPARTMENT OF THE ARMY
 SIGNAL CORPS ENGINEERING
 LABORATORIES

FORT MONMOUTH NEW JERSEY

SM-B-248846