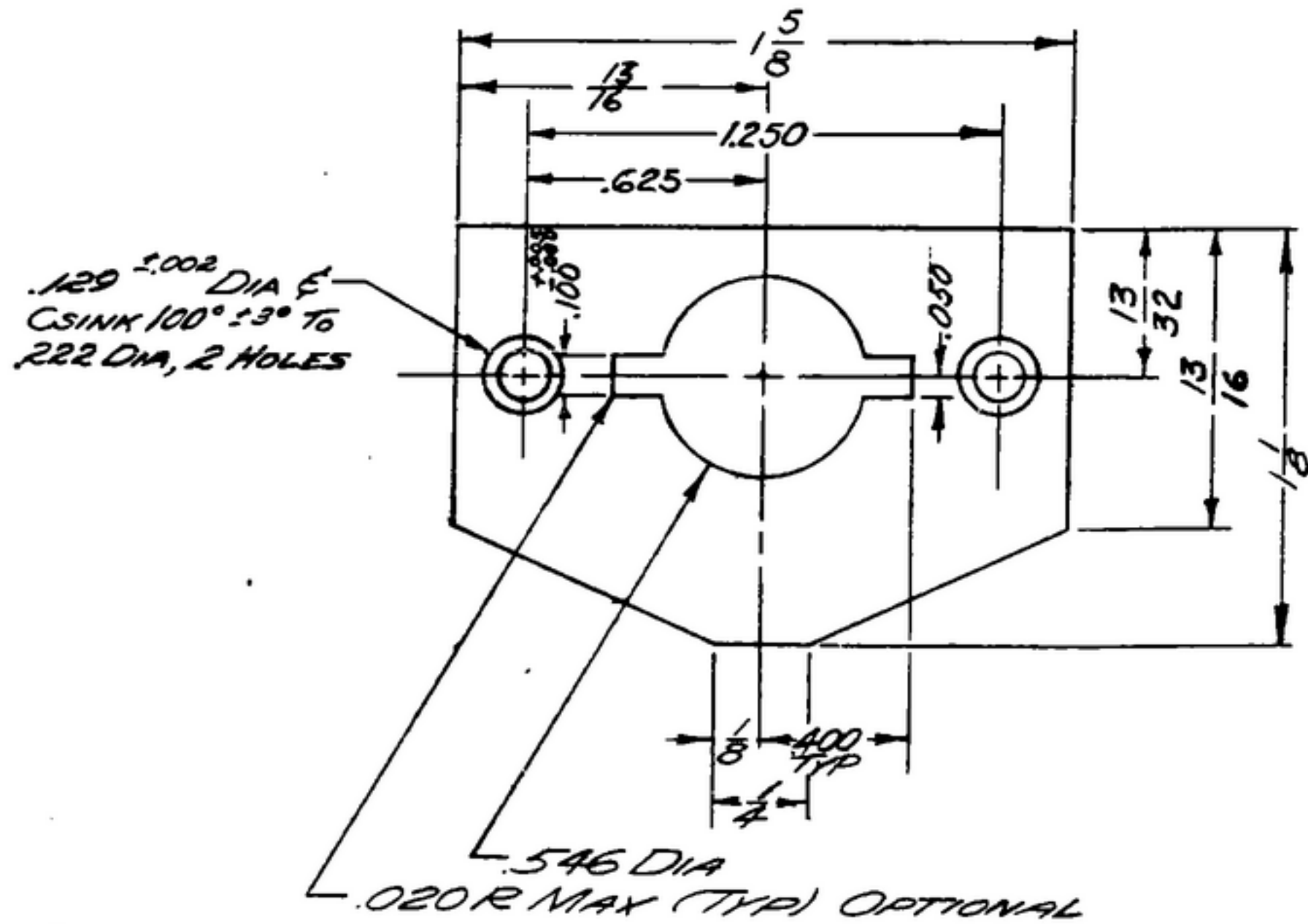


NOTICE: WHEN GOVERNMENT DRAWINGS, SPECIFICATIONS, OR OTHER DATA ARE USED FOR ANY PURPOSE OTHER THAN IN CONNECTION WITH A DEFINITELY RELATED GOVERNMENT PROCUREMENT OPERATION, THE UNITED STATES GOVERNMENT THEREBY INCURS NO RESPONSIBILITY NOR ANY OBLIGATION WHATSOEVER AND THE FACT THAT THE GOVERNMENT MAY HAVE FORMULATED, FURNISHED, OR IN ANY WAY SUPPLIED THE SAID DRAWINGS, SPECIFICATIONS, OR OTHER DATA IS NOT TO BE REGARDED BY IMPLICATOR OR OTHERWISE AS IN ANY MANNER LICENSING THE HOLDER OR ANY OTHER PERSON OR CORPORATION, OR CONVERTING ANY RIGHTS OR PRIVILEGES TO MANUFACTURE, USE, OR SELL ANY PATENTED INVENTION THAT MAY IN ANY WAY BE RELATED THERETO.

THIS DOCUMENT HAS BEEN PURCHASED BY THE GOVERNMENT AND MAY BE REPRODUCED AND USED IN CONNECTION WITH ANY GOVERNMENT PROCUREMENT OR MAINTENANCE OPERATION.

*FOR INFORMATION ONLY. CONTRACTOR MAY AT HIS OPTION DEVIATE FROM THESE PROCESS DETAILS.

REVISIONS			
SYM	DESCRIPTION	DATE	APPROVAL



NOTES:
 1. REMOVE ALL BURRS.
 2. 1/16 R MAX ON OUTSIDE CORNERS - OPTIONAL.

546 DIA
.020 R MAX (TYP) OPTIONAL
CRES, COMP 302, PER SPEC. MIL-S-5059, COND. ANNEALED, .062 THICK.
FINISH: E300 PER SPEC. MIL-F-14072.
** COLLINS 588-0025-00.*

COLLINS PART NO.	ITEM	QTY	PART NO.	DESCRIPTION	MATL	MATL SPEC
LIST OF MATERIAL						
COLLINS PART NO. <i>558-0219-002</i>						

				DRAWN <i>RDG</i>	CHECKED <i>Williams</i>	APPROVED	COLLINS RADIO CO. CEDAR RAPIDS, IOWA <i>1A21A-PH-51-93</i>	<i>PLATE-LOCKING</i>	DEPARTMENT OF THE ARMY SIGNAL CORPS ENGINEERING LABORATORIES FORT MONMOUTH NEW JERSEY <i>SM-B-248871</i>
				UNLESS OTHERWISE SPECIFIED: DECIMAL DIMENSIONS INCLUDING HOLE SIZES MAY VARY ±.008 FRACTIONAL DIMENSIONS INCLUDING HOLE SIZES MAY VARY ±1/64 MACHINED ANGLES MAY VARY ±1° SHEARED ANGLES MAY VARY ±.25° BROKEN ANGLES MAY VARY ±1° ECCENTRICITY BETWEEN ANY DIAMETERS ON THE SAME CENTERLINE SHALL NOT EXCEED .010 TOTAL INDICATOR READING. ALL DIMENSIONS ARE FINISH DIMENSIONS INCLUDING APPLIED FINISH AND ARE GIVEN IN INCHES.			SIGNAL CORPS		
							REVIEWED <i>PME</i>		
							APPROVED <i>HLV</i> <i>PME</i>		
COLLINS NO.		QTY	NEXT ASSY	USED ON	APPLICATION		DATE <i>7 DEC 1955</i>	SCALE <i>2/1</i>	
	<i>558-0331-004</i>	<i>2</i>	<i>SM-D-248982</i>	<i>SC-DX-248775</i>					