

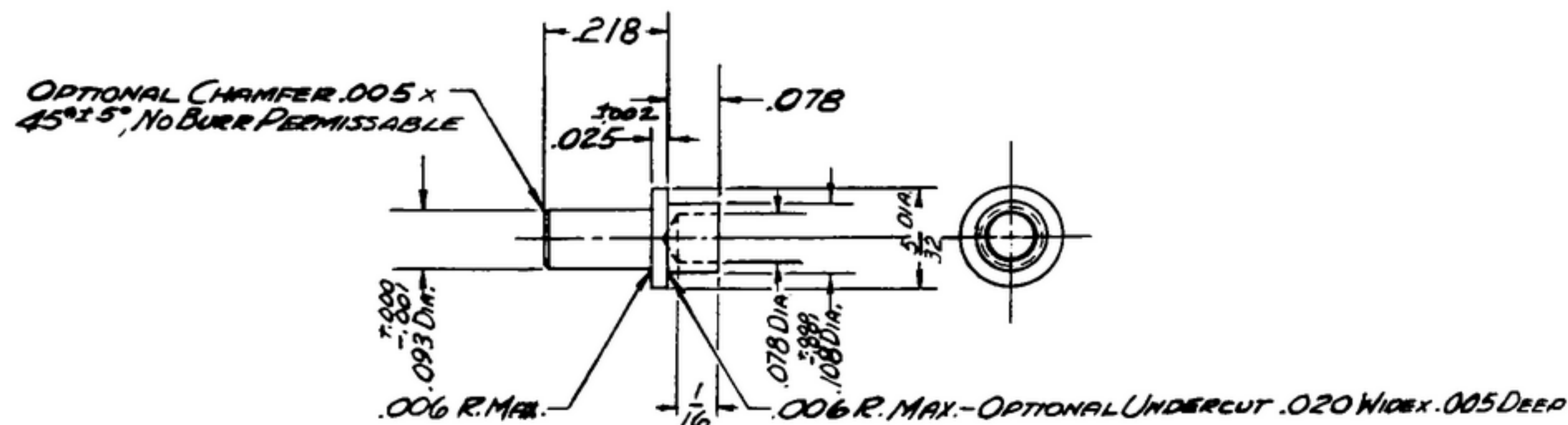
NOTICE: WHEN GOVERNMENT DRAWINGS, SPECIFICATIONS, OR OTHER DATA ARE USED FOR ANY PURPOSE OTHER THAN IN CONNECTION WITH A DEFINITELY RELATED GOVERNMENT PROCUREMENT OPERATION, THE UNITED STATES GOVERNMENT THEREBY ASSUMES NO RESPONSIBILITY FOR ANY OBLIGATION WHATSOEVER AND THE FACT THAT THE GOVERNMENT MAY HAVE FORMULATED, PROVIDED, OR IN ANY WAY SUPPLIED THE SAID DRAWINGS, SPECIFICATIONS, OR OTHER DATA IS NOT TO BE CONSIDERED BY REPLICATOR OR OTHERWISE AS IN ANY MANNER LICENSES THE HOLDER OR ANY OTHER PERSON OR CORPORATION, OR CONVEYING ANY RIGHTS OR PERMISSION TO MANUFACTURE, USE, OR SELL ANY PATENTED INVENTION THAT MAY IN ANY WAY BE RELATED THERETO.

THIS DOCUMENT HAS BEEN PURCHASED BY THE GOVERNMENT AND MAY BE REPRODUCED AND USED IN CONNECTION WITH ANY GOVERNMENT PROCUREMENT OR MAINTENANCE OPERATION.

* FOR INFORMATION ONLY. CONTRACTOR MAY AT HIS OPTION DEVIATE FROM THESE PROCESS DETAILS.

REVISIONS

SYM	DESCRIPTION	DATE	APPROVAL
-----	-------------	------	----------



CRES, COMP 3035, COND B, SURFACE COND D, PER SPEC MIL-5-7720.

*FINISH: E300 PER SPEC MIL-F-14072
* COLLINS 580 0025 00*

COLLINS PART NO.	ITEM	QTY	PART NO.	DESCRIPTION	MATL.	MATL. SPEC.
LIST OF MATERIAL						
COLLINS PART NO. <i>558 0255 002</i>						

				DRAWN <i>Hamer</i>	CHECKED <i>Williams</i>	APPROVED	COLLINS-RADIS-00 14214-PH-51-93 SIGNAL CORPS REVIEWED <i>PME</i> APPROVED <i>HLV PME</i> DATE <i>8 DEC 55</i> SCALE <i>2/1</i>		DEPARTMENT OF THE ARMY SIGNAL CORPS ENGINEERING LABORATORIES FORT MONMOUTH NEW JERSEY <i>SM-B-248906</i>		
				UNLESS OTHERWISE SPECIFIED: DECIMAL DIMENSIONS INCLUDING HOLE SIZES MAY VARY ±.008 FRACTIONAL DIMENSIONS INCLUDING HOLE SIZES MAY VARY ±1/64 MACHINED ANGLES MAY VARY ±.1° SHEARED ANGLES MAY VARY ±.25° BROKEN ANGLES MAY VARY ±.1° ECCENTRICITY BETWEEN ANY DIAMETERS ON THE SAME CENTERLINE SHALL NOT EXCEED .010 TOTAL INDICATOR READING. ALL DIMENSIONS ARE FINISH DIMENSIONS INCLUDING APPLIED FINISH AND ARE GIVEN IN INCHES.			PIN-CLUTCH				
<i>558 0255 002</i>	<i>B</i>	<i>SM-B-248906</i>	<i>SC-DL-248775</i>	APPLICATION							
COLLINS NO.	QTY	NEXT ASSY	USED ON								