

EQUIP. TYPE R3904/URR EXP. NO. _____

COL. 540 7500 002

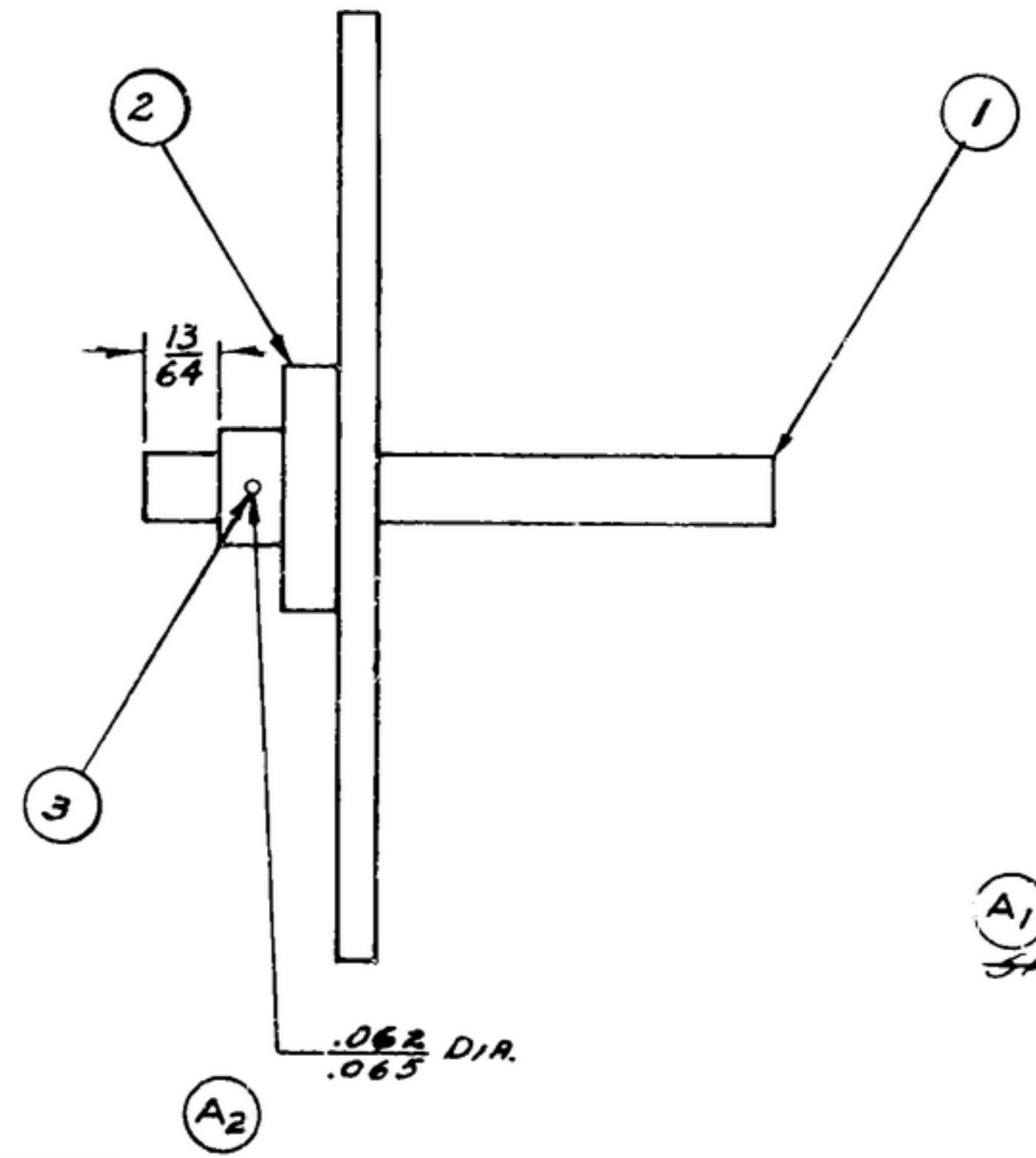
NOTICE: WHEN GOVERNMENT DRAWINGS, SPECIFICATIONS, OR OTHER DATA ARE USED FOR ANY PURPOSE OTHER THAN IN CONNECTION WITH A DEFINITELY RELATED GOVERNMENT PROCUREMENT OPERATION, THE UNITED STATES GOVERNMENT THEREBY INCURS NO RESPONSIBILITY FOR ANY OBLIGATION WHATSOEVER AND THE FACT THAT THE GOVERNMENT MAY HAVE FORMULATED, FURNISHED, OR IN ANY WAY SUPPLIED THE SAID DRAWINGS, SPECIFICATIONS, OR OTHER DATA IS NOT TO BE REGARDED BY IMPLICATION OR OTHERWISE AS IN ANY MANNER LICENSING THE HOLDER OR ANY OTHER PERSON OR CORPORATION, OR CONVEYING ANY RIGHTS OR PERMISSION TO MANUFACTURE, USE, OR SELL ANY PATENTED INVENTION THAT MAY IN ANY WAY BE RELATED THERETO.

THIS DOCUMENT HAS BEEN PURCHASED BY THE GOVERNMENT AND MAY BE REPRODUCED AND USED IN CONNECTION WITH ANY GOVERNMENT PROCUREMENT OR MAINTENANCE OPERATION.

* FOR INFORMATION ONLY, CONTRACTOR MAY AT HIS OPTION DEVIATE FROM THESE PROCESS DETAILS.

| REVISIONS | | | |
|-----------|--|-----------|---------------------------------|
| SYM | DESCRIPTION | DATE | APPROVAL |
| A2 | A1 - ITEM 3 WAS SM-B-283162 A2 - ADDED APPL. SM-D-343600. | 8 OCT. 59 | 42428-PC-59-A1-51 REV'D. PME |

~~R SWE APPROVAL~~
~~SYM PR 10542-4~~



NOTES:
1 SECURE GEAR (2) ON SHAFT (1) BY DRILLING & PINNING IN POSITION SHOWN USING PIN (3).

| COLLINS PART NO. | ITEM | REQD | PART NO. | DESCRIPTION | MATL | MATL SPEC |
|-------------------------|------|------|-------------|--------------------|------|-----------|
| 559 0247 002 | 3 | 1 | MS171433 | ROLL PIN | | |
| 558 0289 002 | 2 | 1 | SM-B-248940 | GEAR ASSY - SWITCH | | |
| 558 0249 002 | 1 | 1 | SM-B-248891 | SHAFT | | |

| COLLINS PART NO. | ITEM | REQD | PART NO. | DESCRIPTION | MATL | MATL SPEC |
|-------------------------------|------|------|----------|-------------|------|-----------|
| LIST OF MATERIAL | | | | | | |
| COLLINS PART NO. 558 0289 002 | | | | | | |

| COLLINS NO. | QTY | NEXT ASSY | USED ON |
|--------------|-----|-------------|--------------|
| 558 0247 002 | 1 | SM-D-343600 | |
| 558 0289 002 | 1 | SM-D-248975 | SC-DL-248775 |

DRAWN *Mml* CHECKED *Rhm* APPROVED _____

UNLESS OTHERWISE SPECIFIED:
 DECIMAL DIMENSIONS INCLUDING HOLE SIZES MAY VARY ±.005
 FRACTIONAL DIMENSIONS INCLUDING HOLE SIZES MAY VARY ±.1/64
 MACHINED ANGLES MAY VARY ±.1°
 SHEARED ANGLES MAY VARY ±.25°
 BROKEN ANGLES MAY VARY ±.1°
 ECCENTRICITY BETWEEN ANY DIAMETERS ON THE SAME CENTERLINE SHALL NOT EXCEED .010 TOTAL INDICATOR READING.
 ALL DIMENSIONS ARE FINISH DIMENSIONS INCLUDING APPLIED FINISH AND ARE GIVEN IN INCHES.

COLLINS RADIO CO. - CEDAR RAPIDS, IOWA -
14214 - PH-51-93

SIGNAL CORPS

REVIEWED *PME*

APPROVED *HLV*
PME

DATE 7 DEC 55 SCALE 2/1

DEPARTMENT OF THE ARMY
SIGNAL CORPS ENGINEERING
LABORATORIES

FORT MONMOUTH NEW JERSEY

SM-B-248939