

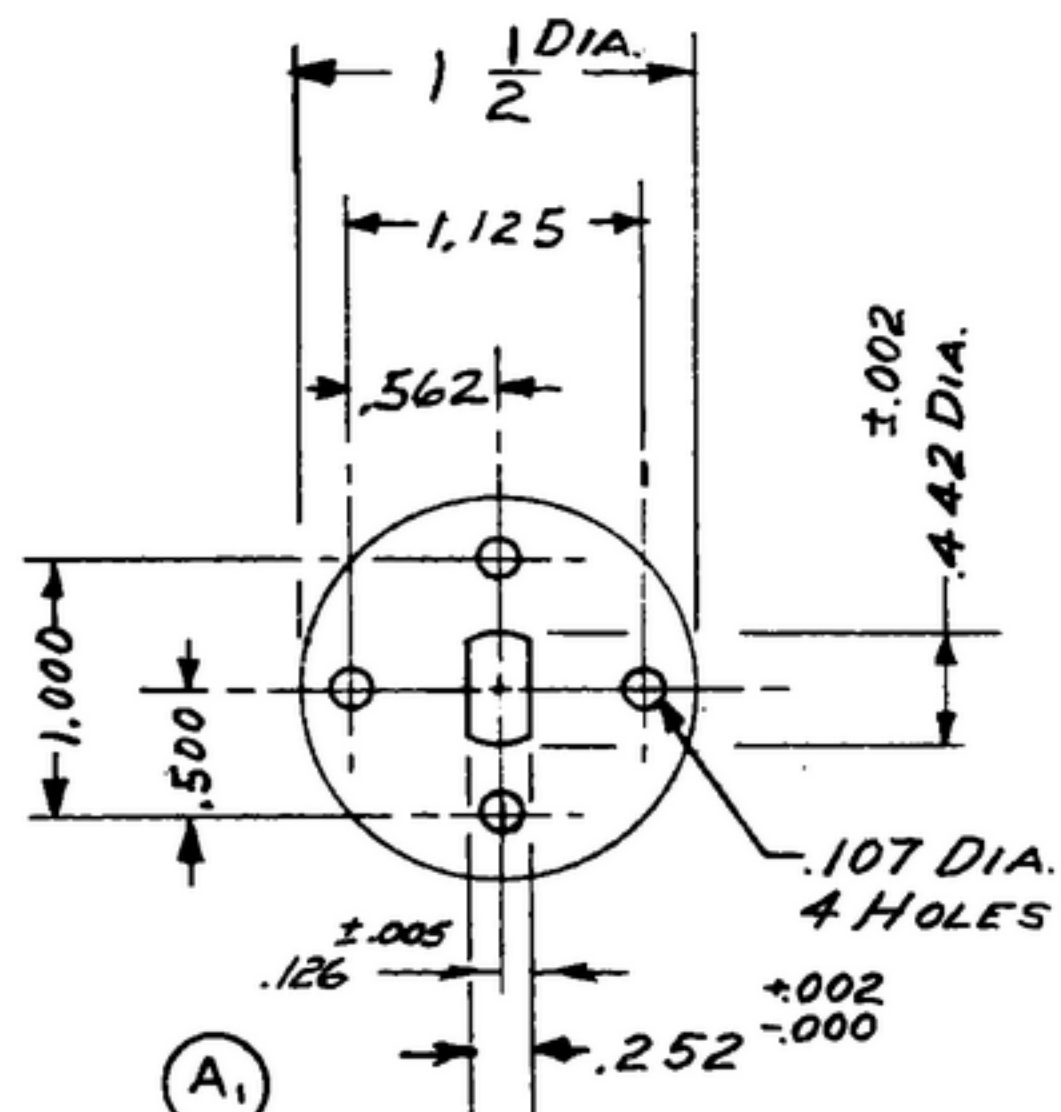
NOTICE: WHEN GOVERNMENT DRAWINGS, SPECIFICATIONS, OR OTHER DATA ARE USED FOR ANY PURPOSE OTHER THAN IN CONNECTION WITH A SPECIFICALLY RELATED GOVERNMENT PROCUREMENT OPERATION, THE UNITED STATES GOVERNMENT THEREBY INCURS NO RESPONSIBILITY FOR ANY OMISSIONS, UNAUTHORIZED REVISIONS, OR THE FACT THAT THE GOVERNMENT MAY HAVE FORMULATED, PROVIDED, OR IN ANY WAY SUPPLIED THE SAID DRAWINGS, SPECIFICATIONS, OR OTHER DATA IS NOT TO BE REGARDED BY REPLICATION OR OTHERWISE AS IN ANY MANNER LICENSING THE HOLDER OR ANY OTHER PERSON OR CORPORATION, OR CONVEYING ANY RIGHTS OR POWERS TO MANUFACTURE, USE, OR SELL ANY PATENTED INVENTION THAT MAY IN ANY WAY BE RELATED THERETO.

THIS DOCUMENT HAS BEEN PURCHASED BY THE GOVERNMENT AND MAY BE REPRODUCED AND USED IN CONNECTION WITH ANY GOVERNMENT PROCUREMENT OR MAINTENANCE OPERATION.

\* FOR INFORMATION ONLY. CONTRACTOR MAY AT HIS OPTION DEVIATE FROM THESE PROCESS DETAILS.

~~\* SWE APPROVAL~~  
~~SYM PR 10048-D~~

REVISIONS			
SYM	DESCRIPTION	DATE	APPROVAL
A	A, 5052 WAS 525	27 OCT 59	42428-PC 59-A1-51 REV'D PME



ALUMINUM ALLOY 5052, TEMPER H32, PER SPEC QQ-A-318, .080 THICK

FINISH: E513 PER SPEC MIL-F-14072  
\* COLLINS 558-0375-002

COLLINS PART NO.	ITEM	REQD	PART NO.	DESCRIPTION	MATL	MATL SPEC
LIST OF MATERIAL						
-COLLINS PART NO. <i>558-0375-002</i>						

DRAWN <i>Hammer</i>				CHECKED <i>Rlm</i>		APPROVED		-COLLINS RADIO CO.- -CEDAR RAPIDS, IOWA- <i>14214-PH-51-93</i>		DEPARTMENT OF THE ARMY SIGNAL CORPS ENGINEERING LABORATORIES FORT MONMOUTH NEW JERSEY <i>SM-B-249025</i>	
UNLESS OTHERWISE SPECIFIED: DECIMAL DIMENSIONS INCLUDING HOLE SIZES MAY VARY ±.008 FRACTIONAL DIMENSIONS INCLUDING HOLE SIZES MAY VARY ±1/64 MACHINED ANGLES MAY VARY ±.1° SHEARED ANGLES MAY VARY ±.25° BROKEN ANGLES MAY VARY ±.1° ECCENTRICITY BETWEEN ANY DIAMETERS ON THE SAME CENTERLINE SHALL NOT EXCEED .010 TOTAL INDICATOR READING. ALL DIMENSIONS ARE FINISH DIMENSIONS INCLUDING APPLIED FINISH AND ARE GIVEN IN INCHES.				REVIEWED <i>PME</i>		APPROVED <i>HLV</i> <i>PME</i>		<i>HUB-INDICATOR</i>			
558-0384-002-1 SM-B-249034 SC-DL-248775				DATE <i>16 DEC 55</i>		SCALE <i>1/1</i>					
APPLICATION											