

EQUIP. TYPE *P390A/URR* EXP. NO. *COL-540-759-002*

*COL-540-759-002*

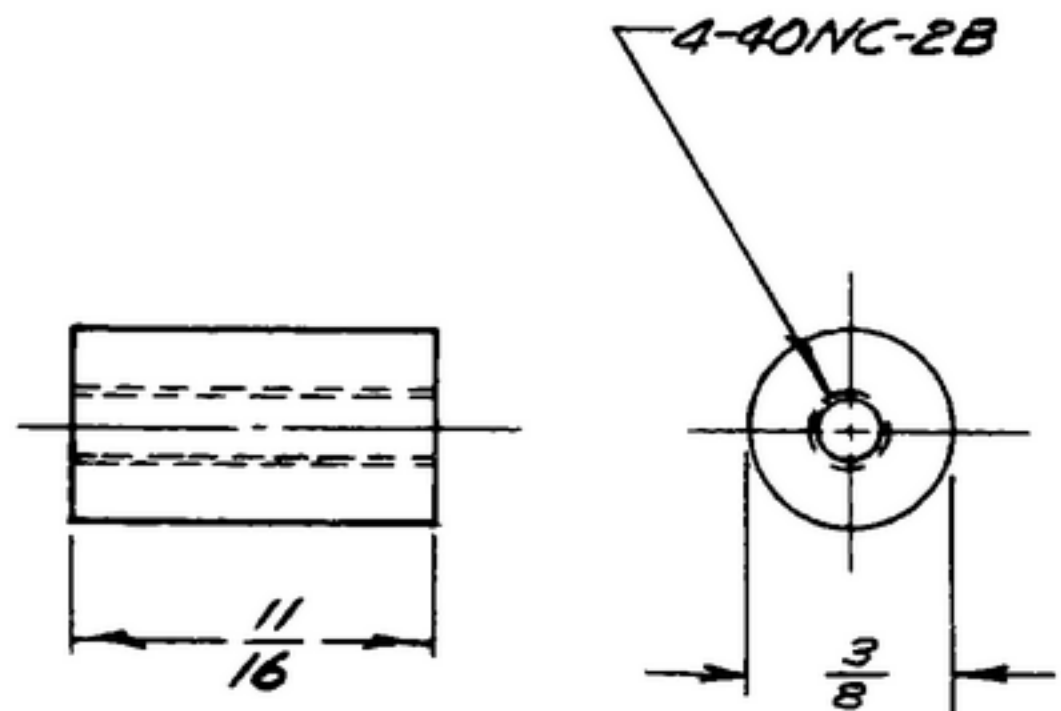
NOTICE: WHEN GOVERNMENT DRAWINGS, SPECIFICATIONS, OR OTHER DATA ARE USED FOR ANY PURPOSE OTHER THAN IN CONNECTION WITH A SPECIFICALLY RELATED GOVERNMENT PROCUREMENT OPERATION, THE UNITED STATES GOVERNMENT THEREBY ASSUMES NO RESPONSIBILITY FOR ANY OBLIGATION WHATSOEVER, AND THE FACT THAT THE GOVERNMENT MAY HAVE FORMULATED, PROMULGATED, OR IN ANY WAY SUPPLIED THE SAID DRAWINGS, SPECIFICATIONS, OR OTHER DATA IS NOT TO BE REGARDED BY IMPLICATION OR OTHERWISE AS IN ANY MANNER ENDORSING THE METHOD OR ANY OTHER PERSON OR ORGANIZATION, OR OBTAINING ANY RIGHTS OR PERMISSIONS TO REPRODUCE, USE, OR SELL ANY PATENTED INVENTION THAT MAY IN ANY WAY BE RELATED THEREBY.

THIS DOCUMENT HAS BEEN PURCHASED BY THE GOVERNMENT AND MAY BE REPRODUCED AND USED IN CONNECTION WITH ANY GOVERNMENT PROCUREMENT OR CONTRACTING OPERATION.

\*FOR INFORMATION ONLY. CONTRACTOR MAY AT HIS OPTION DEVIATE FROM THESE PROCESS DETAILS.

REVISIONS

SYM	DESCRIPTION	DATE	APPROVAL
<del>RSWE. APPROVAL</del>			
<del>SYM P39042-6</del>			
<del>A1</del>	<del>CA84589</del>		
A1	A1 - FORM R WAS FORM T1	12 DEC 59	42428-PC-59-A1-51 REV'D. PME



PLASTIC, TYPE PBE, PER SPEC MIL-P-79, FORM R

NOTES:  
ALL SCREW THREADS PER BUREAU OF STANDARDS HANDBOOK 42B.

COLLINS PART NO.	ITEM	QTY	PART NO.	DESCRIPTION	MATL	MATL SPEC
LIST OF MATERIAL						
-COLLINS PART NO. <i>558-0391-002</i>						

DRAWN <i>R. B. B.</i>			CHECKED <i>R. B. B.</i>			APPROVED			-COLLINS RADIO CO. -SIGNAL CORPS <i>14214-PH-51-93</i>			DEPARTMENT OF THE ARMY SIGNAL CORPS ENGINEERING LABORATORIES  FORT MONMOUTH NEW JERSEY  <i>POST-MTG</i>  <i>SM-B-249031</i>		
UNLESS OTHERWISE SPECIFIED: DECIMAL DIMENSIONS INCLUDING HOLE SIZES MAY VARY ±.008 FRACTIONAL DIMENSIONS INCLUDING HOLE SIZES MAY VARY ±1/64 MACHINED ANGLES MAY VARY ±1° SHEARED ANGLES MAY VARY ±.25° BROKEN ANGLES MAY VARY ±1° ECCENTRICITY BETWEEN ANY DIAMETERS ON THE SAME CENTERLINE SHALL NOT EXCEED .010 TOTAL INDICATOR READING. ALL DIMENSIONS ARE FINISH DIMENSIONS INCLUDING APPLIED FINISH AND ARE GIVEN IN INCHES.									SIGNAL CORPS					
558-0395-003 A SM-C-249045 SC-DL-248775									REVIEWED <i>PME</i>					
COLLINS NO. QTY NEXT ASSY USED ON									APPROVED <i>HLV</i> <i>PME</i>					
APPLICATION									DATE <i>15 DEC 55</i> SCALE <i>2/1</i>					