

1.26

EQUIP. TYPE R390A/URR EXP. NO.

COL. 015 0132 00

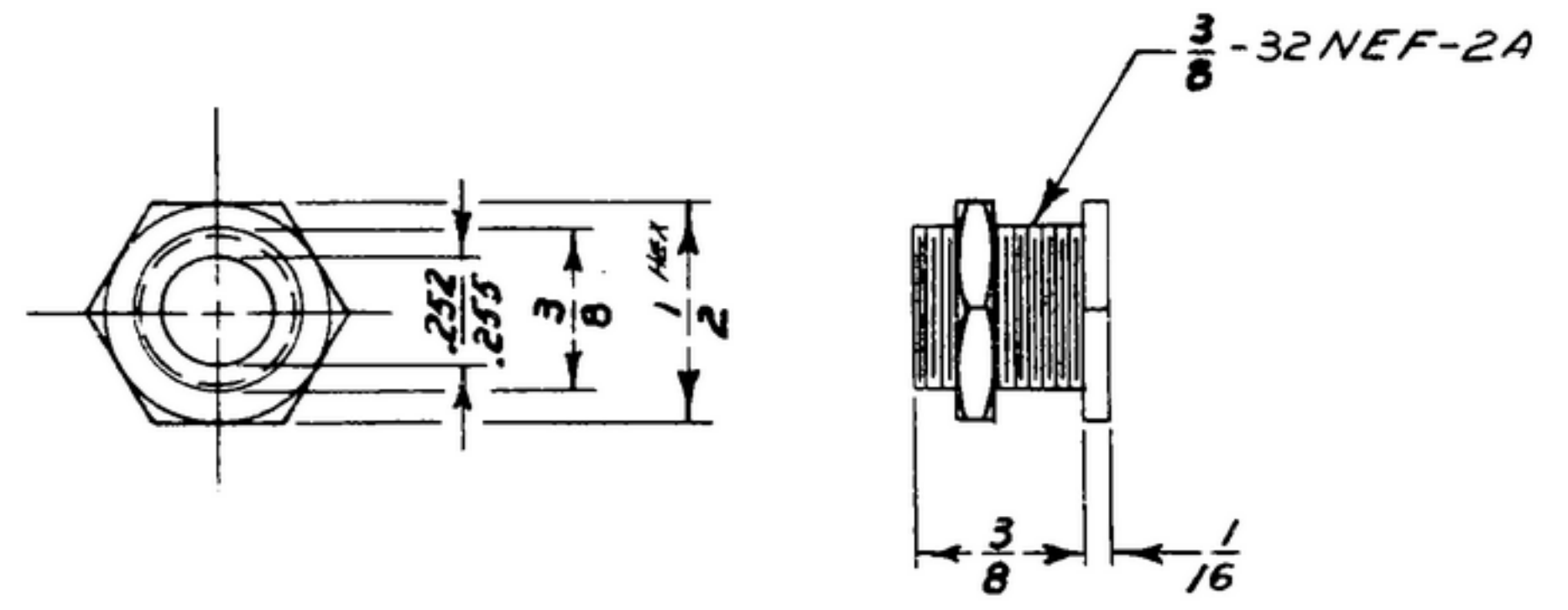
NOTICE: WHEN GOVERNMENT DRAWINGS, SPECIFICATIONS, OR OTHER DATA ARE USED FOR ANY PURPOSE OTHER THAN IN CONNECTION WITH A DEFINITELY RELATED GOVERNMENT PROCUREMENT OPERATION, THE UNITED STATES GOVERNMENT THEREBY INCURS NO RESPONSIBILITY NOR ANY OBLIGATION WHATSOEVER; AND THE FACT THAT THE GOVERNMENT MAY HAVE FORMULATED, FURNISHED, OR IN ANY WAY SUPPLIED THE SAID DRAWINGS, SPECIFICATIONS, OR OTHER DATA IS NOT TO BE REGARDED BY IMPLICATION OR OTHERWISE AS IN ANY MANNER LICENSING THE HOLDER OR ANY OTHER PERSON OR CORPORATION, OR CONVEYING ANY RIGHTS OR PERMISSION TO MANUFACTURE, USE, OR SELL ANY PATENTED INVENTION THAT MAY IN ANY WAY BE RELATED THERETO.

THIS DOCUMENT HAS BEEN PURCHASED BY THE GOVERNMENT AND MAY BE REPRODUCED AND USED IN CONNECTION WITH ANY GOVERNMENT PROCUREMENT OR MAINTENANCE OPERATION.

\* FOR INFORMATION ONLY. CONTRACTOR MAY AT HIS OPTION DEVIATE FROM THESE PROCESS DETAILS.

~~X SWE APPROVAL~~  
~~SYM PRI0042-9~~

REVISIONS			
SYM	DESCRIPTION	DATE	APPROVAL
A <sub>3</sub>	A <sub>1</sub> ADDED APPL SM-D-343620 A <sub>2</sub> M252 B WAS M252 A <sub>3</sub> DISCRPTION WAS NUT MAY HAVE A SINGLE OR DOUBLE CHAMFER	4 NOV 59	4242B-PC 59-A1-51 REV'D PME



NOTES:  
1. PART MAY BE TYPE UB241 AS SUPPLIED BY P.R. MALLORY CO., INDIANAPOLIS, IND., OR EQUAL, PROVIDING IT MEETS THE FOLLOWING REQUIREMENTS & DIMENSIONS SHOWN.

DESCRIPTION: UNIVERSAL BUSHING AND NUT, EITHER A SINGLE OR DOUBLE CHAMFER. (A<sub>3</sub>)  
FINISH: M252B PER SPEC MIL-F-14072.  
MATL. BRASS (A<sub>2</sub>)

(A<sub>1</sub>)

COLLINS PART NO.	ITEM	REQD	PART NO.	DESCRIPTION	MATL	MATL SPEC
LIST OF MATERIAL						
-COLLINS PART NO. 559 0106 002						

			DRAWN <i>ECS</i>	CHECKED <i>Blm</i>	APPROVED	COLLINS-RADIO-60, -SEAR-RAPID-10WA 14214-PH-51-93	BUSHING	DEPARTMENT OF THE ARMY SIGNAL CORPS ENGINEERING LABORATORIES FORT MONMOUTH NEW JERSEY  SM-B-249194
			UNLESS OTHERWISE SPECIFIED: DECIMAL DIMENSIONS INCLUDING HOLE SIZES MAY VARY ±.005 FRACTIONAL DIMENSIONS INCLUDING HOLE SIZES MAY VARY ±1/64 MACHINED ANGLES MAY VARY ±.1° SHEARED ANGLES MAY VARY ±.25° BROKEN ANGLES MAY VARY ±.1° ECCENTRICITY BETWEEN ANY DIAMETERS ON THE SAME CENTERLINE SHALL NOT EXCEED .010 TOTAL INDICATOR READING. ALL DIMENSIONS ARE FINISH DIMENSIONS INCLUDING APPLIED FINISH AND ARE GIVEN IN INCHES.			SIGNAL CORPS		
						REVIEWED <i>PME</i>		
						APPROVED <i>HLV</i> <i>PME</i>		
APPLICATION						DATE 16 JAN 56	SCALE 2/1	