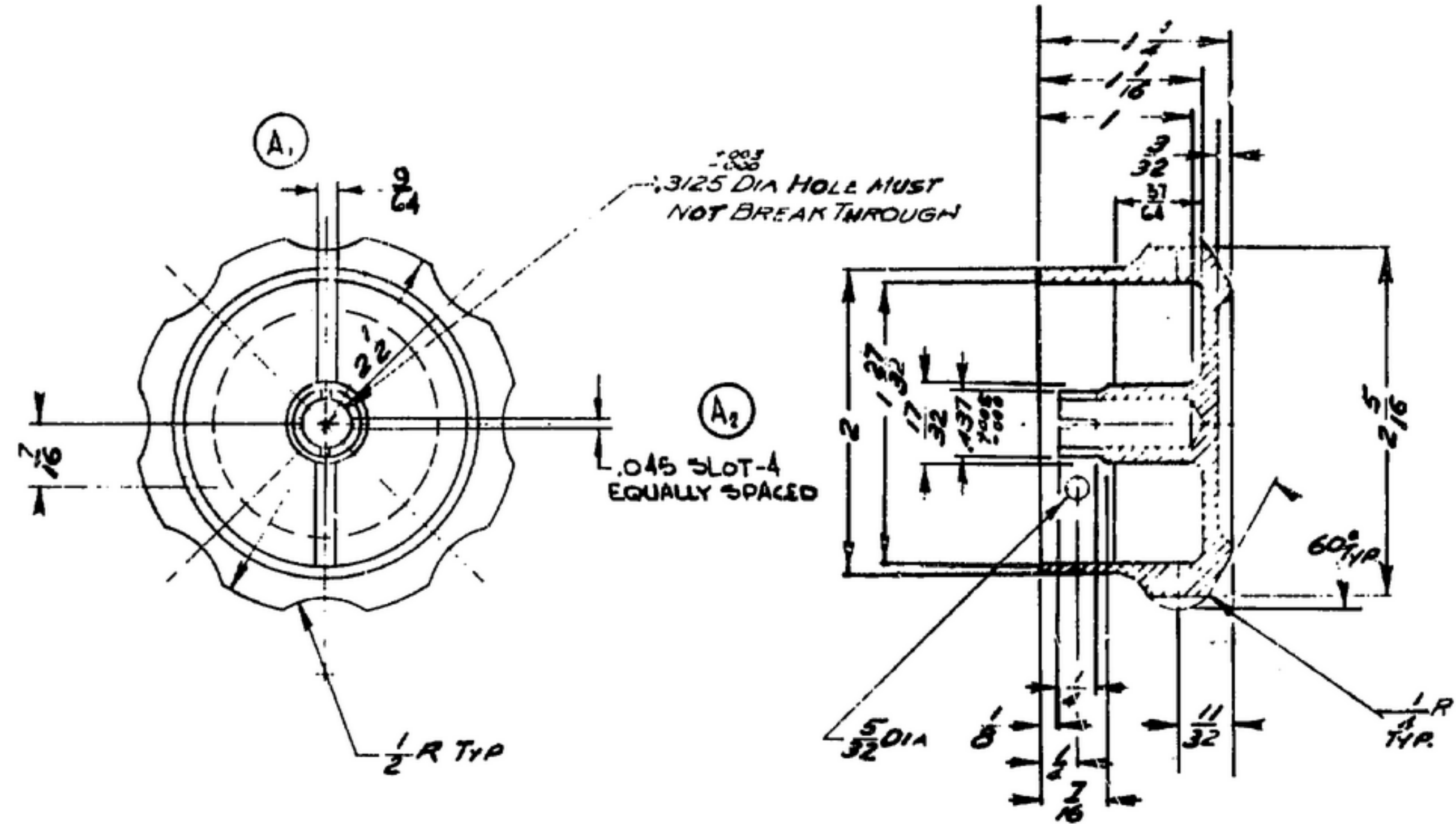


FOR INFORMATION ONLY CONTRACTOR MAY AT HIS OPTION DEVIATE FROM THESE PROCESS DETAILS.

REVISIONS			
SYM	DESCRIPTION	DATE	APPROVAL
A ₂	A ₁ -ADDED RIBS (?) TO HUB A ₂ -RELOCATED DIMENSION	6 APR 66	6-00189 REV'D EC-E HAD



NOTES:
1. PART MAY BE SUPPLIED BY DOENLER JARVIS CORP CHICAGO, ILL, OR EQUAL PROVIDING IT MEETS THE FOLLOWING REQUIREMENTS & DIMENSIONS SHOWN.

MATERIAL: ALUMINUM BASE ALLOY. DIE CAST USING ALUMINUM ALLOY NO 13 IN ACCORDANCE WITH FEDERAL SPEC QQ-A-591.
FINISH: P516 D PER SPEC. MIL-F-14072.

~~EAC NO. 1500-0325~~

COLLINE PART NO	QTY	REQD	PART NO	DESCRIPTION	DATE	DATE SPEC
LIST OF MATERIAL						
COLLINE PART NO. 552 0193 002						

DRAWN F.E.F. CHECKED <i>[Signature]</i> APPROVED UNLESS OTHERWISE SPECIFIED: DECIMAL DIMENSIONS INCLUDING HOLE SIZES MAY VARY .010 FRACTIONAL DIMENSIONS INCLUDING HOLE SIZES MAY VARY .005 MACHINED ANGLES MAY VARY .1 BEAILED EDGES MAY VARY .25 BROKEN EDGES MAY VARY .1 ELEMENTS .1 BETWEEN ANY 2 ELEMENTS ON THE SAME CENTERLINE SHALL NOT EXCEED .010 TOTAL INDICATOR READING ALL DIMENSIONS ARE FINISH DIMENSIONS INCLUDING APPLIED FINISH AND ARE GIVEN IN INCHES	COLLINS-RADIO CO. CEDAR RAPIDS, IOWA 4214-PH-5193 SIGNAL CORPS REVIEWED PME APPROVED HLY PME DATE 12 JAN '56 SCALE 1/1	DEPARTMENT OF THE ARMY SIGNAL CORPS ENGINEERING LABORATORIES FORT MONMOUTH NEW JERSEY SM-B-249243
APPLICATION SM-D-343619 SM-D-249140 SCDL-248775 QTY NEXT ASSY USED ON		