

1.5ka

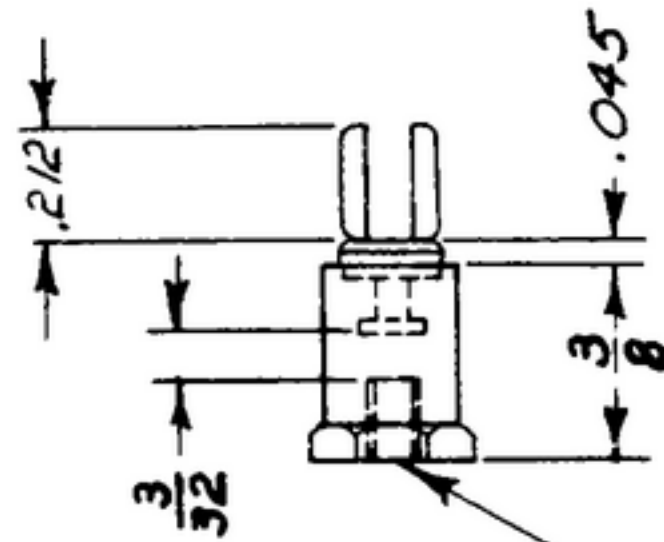
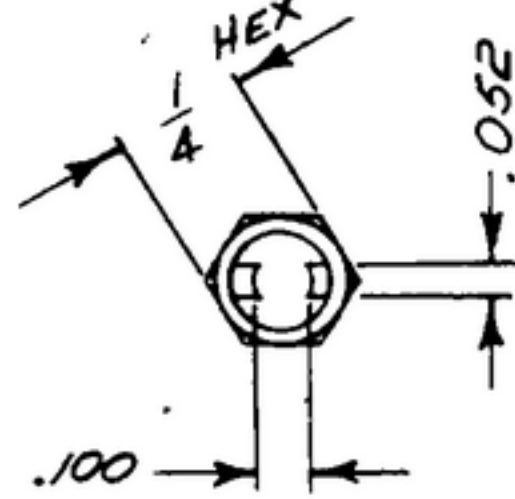
EQUIP. TYPE R390A/URR EXP. NO.

COL 396 0234 00

NOTICE: WHEN GOVERNMENT DRAWINGS, SPECIFICATIONS, OR OTHER DATA ARE USED FOR ANY PURPOSE OTHER THAN IN CONNECTION WITH A DEFINITELY RELATED GOVERNMENT PROCUREMENT OPERATION, THE UNITED STATES GOVERNMENT THEREBY INCURS NO RESPONSIBILITY FOR ANY OBLIGATION WHATSOEVER, AND THE FACT THAT THE GOVERNMENT MAY HAVE FORMULATED, FURNISHED, OR IN ANY WAY SUPPLIED THE SAID DRAWINGS, SPECIFICATIONS, OR OTHER DATA IS NOT TO BE REGARDED BY IMPLICATION OR OTHERWISE AS IN ANY MANNER LICENSING THE HOLDER OR ANY OTHER PERSON OR CORPORATION, OR CONVEYING ANY RIGHTS OR PERMISSION TO MANUFACTURE, USE, OR SELL ANY PATENTED INVENTION THAT MAY IN ANY WAY BE RELATED THERETO.

THIS DOCUMENT HAS BEEN PURCHASED BY THE GOVERNMENT AND MAY BE REPRODUCED AND USED IN CONNECTION WITH ANY GOVERNMENT PROCUREMENT OR MAINTENANCE OPERATION.

*FOR INFORMATION ONLY. CONTRACTOR MAY AT HIS OPTION DEVIATE FROM THESE PROCESS DETAILS:



(C1)

*SWE APPROVAL	
SYM	PR1004E-10
B2	CA 84693

REVISIONS			
SYM	DESCRIPTION	DATE	APPROVAL
A2	A1 - M262A WAS M262. A2 - WAS MIL-F-14.	6 NOV. 59	42428-PC-59-A1-51 REV'D. PME
B2	B1 - IN NOTES PART NO. 2A1-A4 WAS #103A4; B2 - NOTE 2 MATERIALS AND FINISHES & FINISH (2 PLACES) ADDED.	5 APRIL 60	42428-PC-59 REV'D. PME
C1	(1) NOTE DELETED.	22 MAY 1963	ECR-F30523 JLC JM E.D.B.

NOTES:

- PART MAY BE #2A1-A4 AS SUPPLIED BY WHITSO, INC., SCHILLER PARK, ILL., OR EQUAL, PROVIDING IT MEETS THE FOLLOWING REQUIREMENTS & DIMENSIONS SHOWN.
- MATERIALS AND FINISHES:
 TERMINAL: BRASS FINISH, M317 PER SPEC MIL-F-14072,
 MOUNTING BASE: BRASS FINISH; M262A PER SPEC. MIL-F-14072.
 DESCRIPTION: INSULATED TERMINAL
 INSULATION: PLASTIC, TYPE CMG, PER SPEC MIL-M-14.

4-40NC-2B X
5/32 DEEP

	SM-D-14488R	SC-DL-144500
	SM-D-143286	
	SM-D-143396	
	SM-D-143477	
	SM-D-143576	
	SM-D-143585	
	SM-D-143575	
	SM-C-143609	
	SM-D-143650	
	SM-D-144744	
	SM-D-143794	
	SM-D-143805	
	SM-D-143971	
	SM-D-144029	
	SM-D-144123	SC-DL-144500
	SM-C-144246	SC-DL-143280
558 0363 00A	SM-D-248818	
558 0451 00A	SM-D-249100	SC-DL-248775
COLLINS NO.	QTY	NEXT ASSY
		USED ON

COLLINS PART NO.	ITEM	REQD	PART NO.	DESCRIPTION	MATL	MATL SPEC
LIST OF MATERIAL						
COLLINS PART NO. 559 0219 002						

DRAWN: ECS
 CHECKED: [Signature]
 APPROVED: [Signature]

UNLESS OTHERWISE SPECIFIED:
 DECIMAL DIMENSIONS INCLUDING HOLE SIZES MAY VARY ±.005
 FRACTIONAL DIMENSIONS INCLUDING HOLE SIZES MAY VARY ±1/64
 MACHINED ANGLES MAY VARY ±1°
 SHEARED ANGLES MAY VARY ±.25°
 BROKEN ANGLES MAY VARY ±1°
 ECCENTRICITY BETWEEN ANY DIAMETERS ON THE SAME CENTERLINE SHALL NOT EXCEED .010 TOTAL INDICATOR READING.
 ALL DIMENSIONS ARE FINISH DIMENSIONS INCLUDING APPLIED FINISH AND ARE GIVEN IN INCHES.

COLLINS-RADIO CO.
 -OSCAR RAPIDS, IOWA-
 1421A-PH-51-93
 SIGNAL CORPS
 REVIEWED: PME
 APPROVED: HLY, PME
 DATE: 17 JAN 56

TERMINAL-INSULATED
 SCALE: 2/1

DEPARTMENT OF THE ARMY
 SIGNAL CORPS ENGINEERING
 LABORATORIES
 FORT MONMOUTH NEW JERSEY
 SM-B-249265