

EQUIP. TYPE *R390A/URR* EXP. NO.

*COL. 303-0018-00*

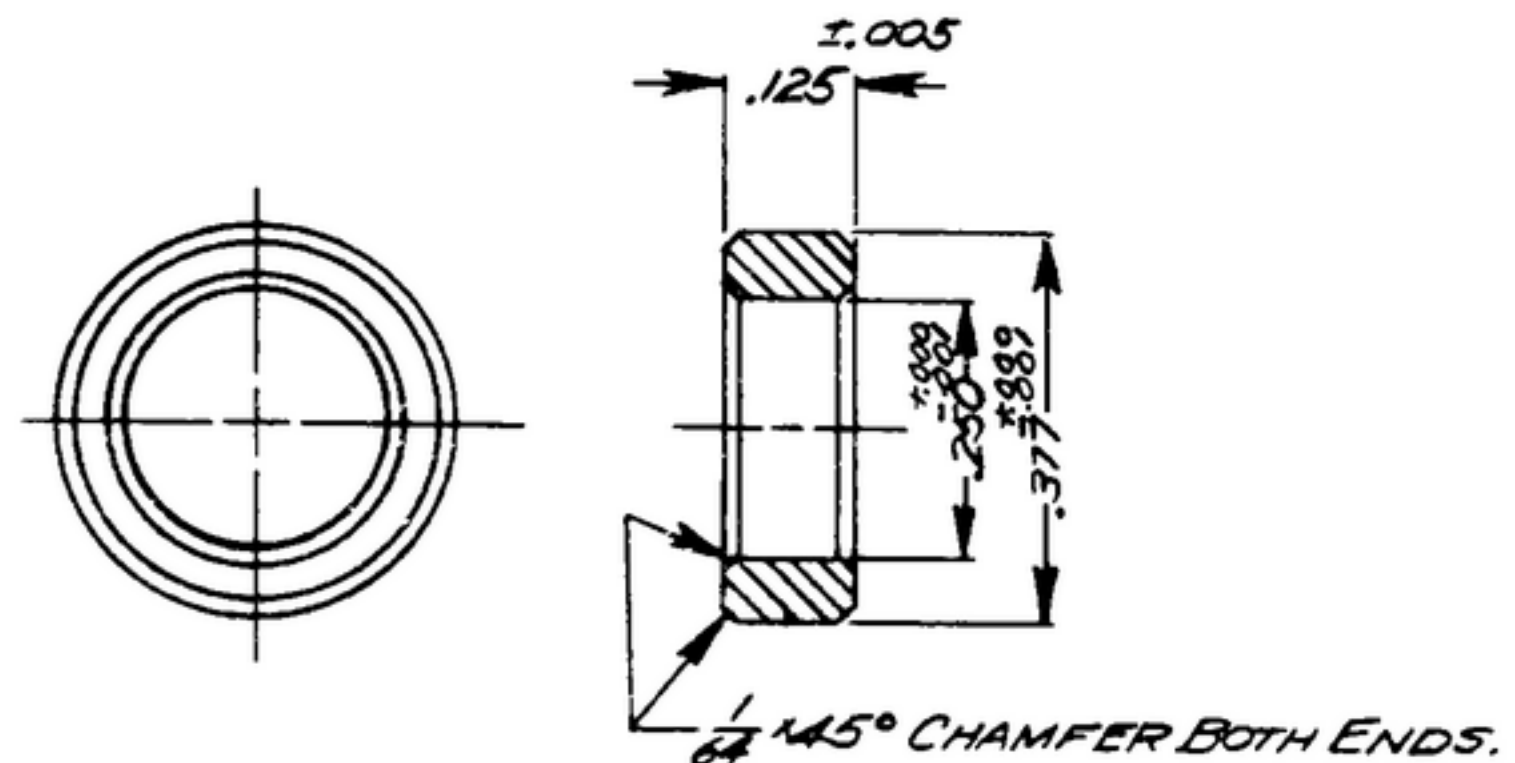
NOTICE: WHEN GOVERNMENT DRAWINGS, SPECIFICATIONS, OR OTHER DATA ARE USED FOR ANY PURPOSE OTHER THAN IN CONNECTION WITH A DEFINITELY RELATED GOVERNMENT PROCUREMENT OPERATION, THE UNITED STATES GOVERNMENT THEREBY INCURS NO RESPONSIBILITY FOR ANY OBLIGATION WHATSOEVER, AND THE FACT THAT THE GOVERNMENT MAY HAVE FORMULATED, FURNISHED, OR IN ANY WAY SUPPLIED THE SAID DRAWINGS, SPECIFICATIONS, OR OTHER DATA IS NOT TO BE REGARDED BY IMPLICATION OR OTHERWISE AS IN ANY MANNER LICENSING THE HOLDER OR ANY OTHER PERSON OR CORPORATION, OR CONVEYING ANY RIGHTS OR PERMISSIONS TO MANUFACTURE, USE, OR SELL ANY PATENTED INVENTION THAT MAY IN ANY WAY BE RELATED THERETO.

THIS DOCUMENT HAS BEEN PURCHASED BY THE GOVERNMENT AND MAY BE REPRODUCED AND USED IN CONNECTION WITH ANY GOVERNMENT PROCUREMENT OR MAINTENANCE OPERATION.

\* FOR INFORMATION ONLY. CONTRACTOR MAY AT HIS OPTION DEVIATE FROM THESE PROCESS DETAILS.

REVISIONS

SYM	DESCRIPTION	DATE	APPROVAL
-----	-------------	------	----------



NOTES:  
 1. PART MAY BE # A-316 AS SUPPLIED BY CHRYSLER CORP AMPLEX DIVISION, DETROIT, MICHIGAN, OR EQUAL, PROVIDING IT MEETS THE FOLLOWING REQUIREMENTS & DIMENSIONS SHOWN.

LUBRICATION: OIL PER SPEC MIL-L-7870

COLLINE PART NO.	QTY	ISS	REQD	PART NO.	DESCRIPTION	MATL	MATL SPEC
LIST OF MATERIAL							
COLLINE PART NO. <i>5590233002</i>							

COLLINE NO.	QTY	NEXT ASBY	USED ON
<i>558-0326-005</i>	<i>2</i>	<i>SM-C-24897</i>	<i>SC-DL-24875</i>

DRAWN *R.E.B.* CHECKED *[Signature]* APPROVED

UNLESS OTHERWISE SPECIFIED:  
 DECIMAL DIMENSIONS INCLUDING HOLE SIZES MAY VARY ±.005  
 FRACTIONAL DIMENSIONS INCLUDING HOLE SIZES MAY VARY ±1/64  
 MACHINED ANGLES MAY VARY ±1°  
 SHEARED ANGLES MAY VARY ±.25°  
 BROKEN ANGLES MAY VARY ±1°  
 ECCENTRICITY BETWEEN ANY DIAMETERS ON THE SAME CENTERLINE SHALL NOT EXCEED .010 TOTAL INDICATOR READING.  
 ALL DIMENSIONS ARE TRIM DIMENSIONS INCLUDING APPLIED FINISH AND ARE GIVEN IN INCHES.

COLLINE RADIO CO.  
 CEDAR RAPIDS, IOWA  
*14214-PH-51-95*

SIGNAL CORPS

REVIEWED *PME*

APPROVED *HLY*  
*PME*

DATE *28 JAN 56* SCALE *4/1*

*BEARING*

DEPARTMENT OF THE ARMY  
 SIGNAL CORPS ENGINEERING  
 LABORATORIES

FORT MONMOUTH NEW JERSEY

*SM-B-283154*