

EQUIP. TYPE *R390A/UFR* EXP. NO.

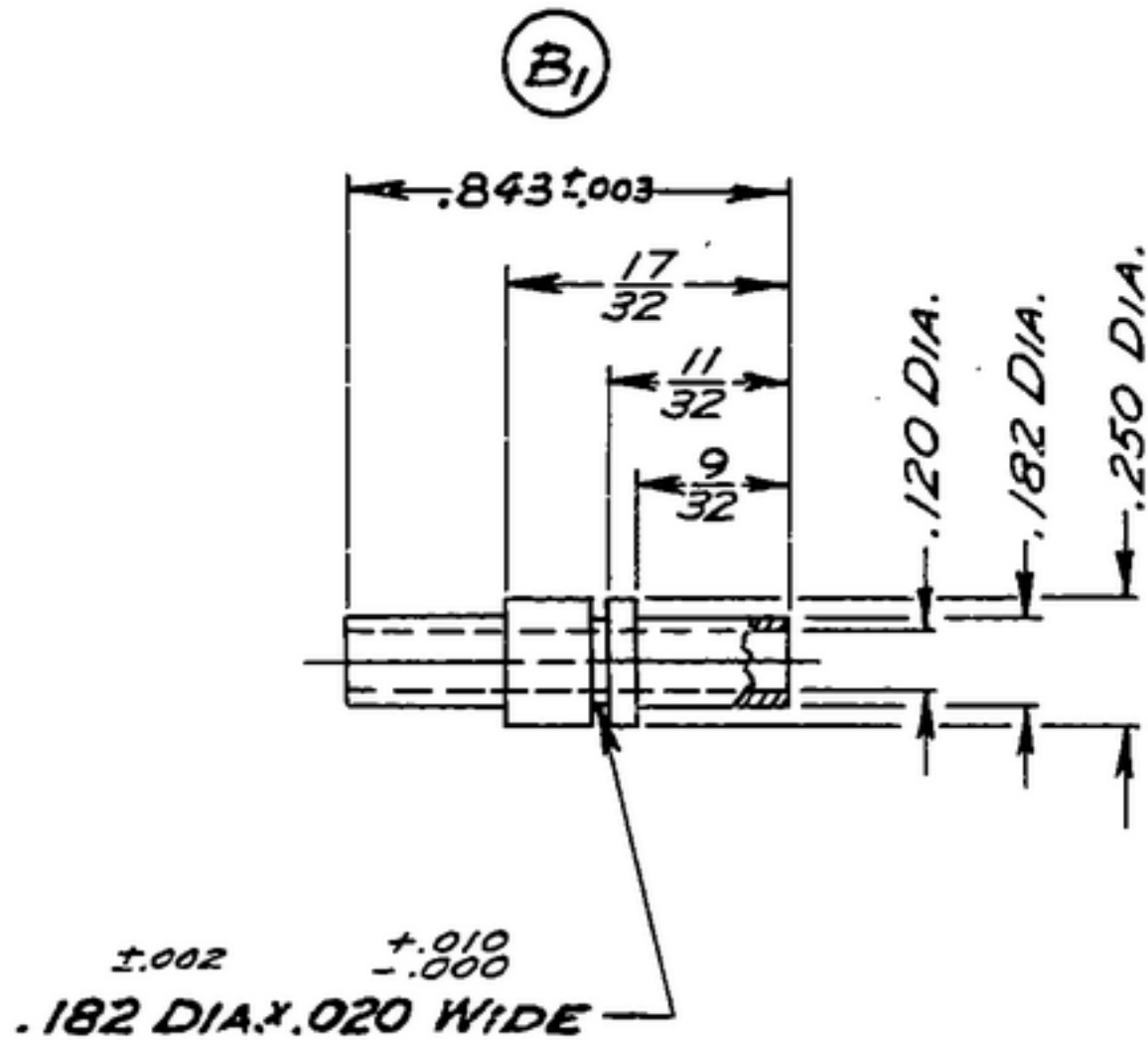
*COL. 54-7450-002*

NOTICE: WHEN GOVERNMENT DRAWINGS, SPECIFICATIONS, OR OTHER DATA ARE USED FOR ANY PURPOSE OTHER THAN IN CONNECTION WITH A DEFINITELY RELATED GOVERNMENT PROCUREMENT OPERATION, THE UNITED STATES GOVERNMENT THEREBY ASSUMES NO RESPONSIBILITY AND ANY CALIBRATION WHATSOEVER, AND THE FACT THAT THE GOVERNMENT MAY HAVE FORMULATED, PUBLISHED, OR IN ANY WAY SUPPLIED THE SAID DRAWINGS, SPECIFICATIONS, OR OTHER DATA IS NOT TO BE CONSIDERED AN IMPLICATION OR AUTHORITY AS IN ANY MANNER LICENSING THE HOLDER OR ANY OTHER PERSON OR ORGANIZATION, OR CONFERRING ANY RIGHTS OR PERMISSION TO REPRODUCE, USE, OR SELL ANY PATENTED INVENTION THAT MAY IN ANY WAY BE RELATED THERETO.

THIS DRAWING HAS BEEN PURCHASED BY THE GOVERNMENT AND MAY BE REPRODUCED AND USED IN CONNECTION WITH ANY GOVERNMENT PROCUREMENT OR MAINTENANCE OPERATION.

\*FOR INFORMATION ONLY. CONTRACTOR MAY AT HIS OPTION DEVIATE FROM THESE PROCESS DETAILS.

REVISIONS			
SYM	DESCRIPTION	DATE	APPROVAL
<del>A<sub>1</sub></del>	<del>A<sub>1</sub> - ADDED FINISH NOTE.</del>	<del>6 NOV 59</del>	<del>4242B-PC-59-A1-51 REV'D. PME</del>
B <sub>1</sub>	(1) - .843 ± .003 WAS 27/32	14 OCT. 60	4242B-PC-59 REV'D. PME



*BRASS, COMP. 22, TEMPER 1/2 HARD, PER SPEC QQ-B-626.*

*(A<sub>1</sub>) FINISH: M259 PER SPEC MIL-F-14072.*

COLLINE PART NO.	ITEM	QTY	RECD	PART NO.	DESCRIPTION	DATE	MAN. SPEC.
LIST OF MATERIAL							
COLLINE PART NO. <i>558-0549002</i>							

DRAWN <i>R.B.B.</i>				CHECKED <i>Rlm</i>		APPROVED		COLLINE-RADIO-CO. CEDAR RAPIDS, IOWA <i>14214-PH-51-93</i>		<b>SPACER</b>		DEPARTMENT OF THE ARMY SIGNAL CORPS ENGINEERING LABORATORIES FORT MONMOUTH NEW JERSEY  <b>SM-B-283248</b>	
UNLESS OTHERWISE SPECIFIED: DECIMAL DIMENSIONS INCLUDING HOLE SIZES MAY VARY ±.008 FRACTIONAL DIMENSIONS INCLUDING HOLE SIZES MAY VARY ±1/64 MACHINED ANGLES MAY VARY ±.1° SHEARED ANGLES MAY VARY ±.25° BROKEN ANGLES MAY VARY ±.1° ECCENTRICITY BETWEEN ANY DIAMETERS ON THE SAME CENTERLINE SHALL NOT EXCEED .010 TOTAL INDICATOR READING. ALL DIMENSIONS ARE FINISH DIMENSIONS INCLUDING APPLIED FINISH AND ARE GIVEN IN INCHES.								REVIEWED <i>PME</i>					
-558-0509002-2 SM-B-249156 SC-DL-248775								APPROVED <i>HLY</i> <i>PME</i>					
-COLLINE-NO. QTY NEXT ASSY USED ON								DATE <i>31 MAR '56</i> SCALE <i>2/1</i>					
APPLICATION													