

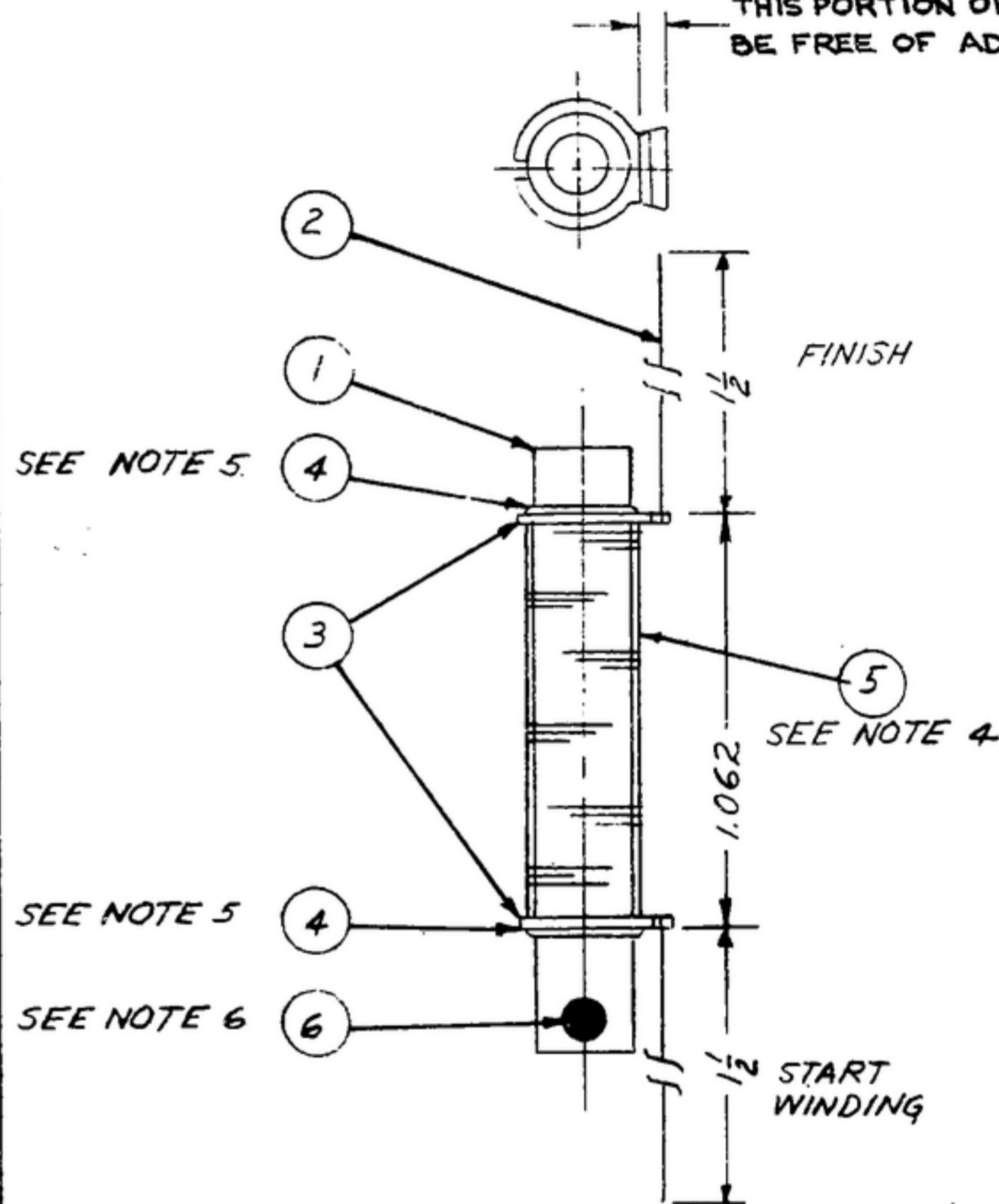
NOTICE: WHEN GOVERNMENT DRAWINGS, SPECIFICATIONS, OR OTHER DATA ARE USED FOR ANY PURPOSE OTHER THAN IN CONNECTION WITH A DEFINITELY RELATED GOVERNMENT PROCUREMENT OPERATION, THE UNITED STATES GOVERNMENT TOLERANCE INCURS NO RESPONSIBILITY AND ANY OBLIGATION WHATSOEVER, AND THE FACT THAT THE GOVERNMENT MAY HAVE FORMULATED, PUBLISHED, OR IN ANY WAY SUPPLIED THE SAID DRAWINGS, SPECIFICATIONS, OR OTHER DATA IS NOT TO BE REGARDED BY IMPLICATION OR OTHERWISE AS IN ANY MANNER LICENSING THE HOLDER OR ANY OTHER PERSON OR CORPORATION, OR CONVEYING ANY RIGHTS OR PERMISSION TO MANUFACTURE, USE, OR SELL ANY PATENTED INVENTION THAT MAY IN ANY WAY BE RELATED THERETO.

"THIS DOCUMENT HAS BEEN PURCHASED BY THE GOVERNMENT AND MAY BE REPRODUCED AND USED IN CONNECTION WITH ANY GOVERNMENT PROCUREMENT OR MAINTENANCE OPERATION."

NOTE: *FOR INFORMATION ONLY. CONTRACTOR MAY AT HIS OPTION DEVIATE FROM THESE PROCESS DETAILS

SWE APPROVAL		REVISIONS			
SYM	DESCRIPTION	DATE	APPROVAL		
A1	A1 REVISED & REDRAWN	11/6 DEC 59	42428-PC-59 AI-SI	REV'D	PH

THIS PORTION OF TERMINALS MUST BE FREE OF ADHESIVE (ITEM 4).



NOTES:

1. COIL TO BE WOUND TO MEET ELECTRICAL REQUIREMENTS SPECIFIED ON SM-D-249096.
2. TYPICAL WINDING DATAS:
NO. OF TURNS: 23
TYPE OF WIND: SINGLE LAYER VARIABLE PITCH
3. WIRE: SINGLE STRAND OF NO. 28 AWG WIRE WITH SINGLE POLYURETHANE FILM INSULATION. DRAWN & ANNEALED COPPER. AS SUPPLIED BY BELDEN MFG. CO., CHICAGO, ILL. OR EQUAL.
4. THE COIL WINDING SHALL BE SUFFICIENTLY COATED TO FIRMLY ANCHOR ALL WIRES. COATING MATERIAL (ITEM 5) TRANSPARENT "Q" MAX. #A27 TO BE SUPPLIED BY COMMUNICATIONS PRODUCTS CO. INC., MARLBORO, N.J. OR EQUAL.
5. CEMENT TERMINAL (ITEM 3) TO COIL FORM (ITEM 1) BY APPLYING THE BONDING AGENT #R313 (ITEM 4) ONLY ON THE OUTER SIDE OF TERMINALS ADJACENT TO THE EXTREMITIES OF THE COIL FORM AS SHOWN. BONDING AGENT #R313 AS SUPPLIED BY CARL H. BIGGS CO., LOS ANGELES, CALIF. OR EQUAL.
6. FOR IDENTIFICATION USE COLOR CODING LACQUERS (ITEM 6) AS SUPPLIED BY CAPITAL CHEMICAL CO., CHICAGO, ILL. OR EQUAL. APPLY BLUE COLOR DOT (1/8 DIA.) ONTO COIL FORM LOCATED AS SHOWN.
- *7. S.W.E. WINDING PROCEDURE FOR 8-16 MC R.F. COIL SPECIFIED ON 12P205237.

*SWE PART NO	ITEM	REQD	PART NO.	DESCRIPTION	MATL	MATL SPEC	NOTES
20S11266-7	6	AS REQ'D		LACQUER, COLOR CODING BLUE		TT-L-31	6
20S110664-5	5	AS REQ'D		LACQUER			4
11S130318-7	4	AS REQ'D		ADHESIVE			5
	3	2	SM-B-25398	TERMINAL			5
30S130130-28	2	1	SM-B-283286	WIRE, MAGNET (26 M.T.P.)		MIL-W-583	3
	1	1	SM-B-249171-2	FORM, COIL			

LIST OF MATERIAL

				UNLESS OTHERWISE SPECIFIED DIMENSIONS ARE IN INCHES TOLERANCES ON FRACTIONS DECIMALS ANGLES ± 1/64 ± .005 ±		COLLINS RADIO CO. LEONARD RAPIN, TORONTO 42414-PH-51-93 SIGNAL CORPS REVIEWED PME APPROVED HLY RME		DEPARTMENT OF THE ARMY SIGNAL CORPS ENGINEERING LABORATORIES FORT MONMOUTH NEW JERSEY	
				DRAWN BY LIPPISCH		COIL ASSY			
				CHECKED BY BG					
				CHIEF DRAFTS					
				ENG APPROVAL		DATE 2 MAR 58		SCALE 2/1	
NEXT ASSY		USED ON		SM-D-249096 SC-DL-248775				SM-B-283286	
*SWE APPLICATION		APPLICATION							